

X2-R4 Series

Rocker Switches



SPECIFICATION

Electrical Rating : 20A 125VAC/16A 250VAC(UL)
16A 250VAC(VDE)
Mechanical life: Over 30000 cycles
Electrical life: Over 10000 cycles
Contact resistance: <20mΩ
Insulation resistance: >1000MΩ
High voltage resistance: >1500V 1 min.
Ambient temperature: Terminal side -20 to +85°C
Actuating side -20 to +55°C
Storage temperature: -30 to +80°C Max
Atmospheric humidity: Max.85%
Actuating force: 4~8N(depends on different switch function)
Flammability: UL94 V-2
Temperature rise at the terminal: Max 30°C (UL1054)
Solder ability of terminal: Max 350°C ,3s

MATERIALS

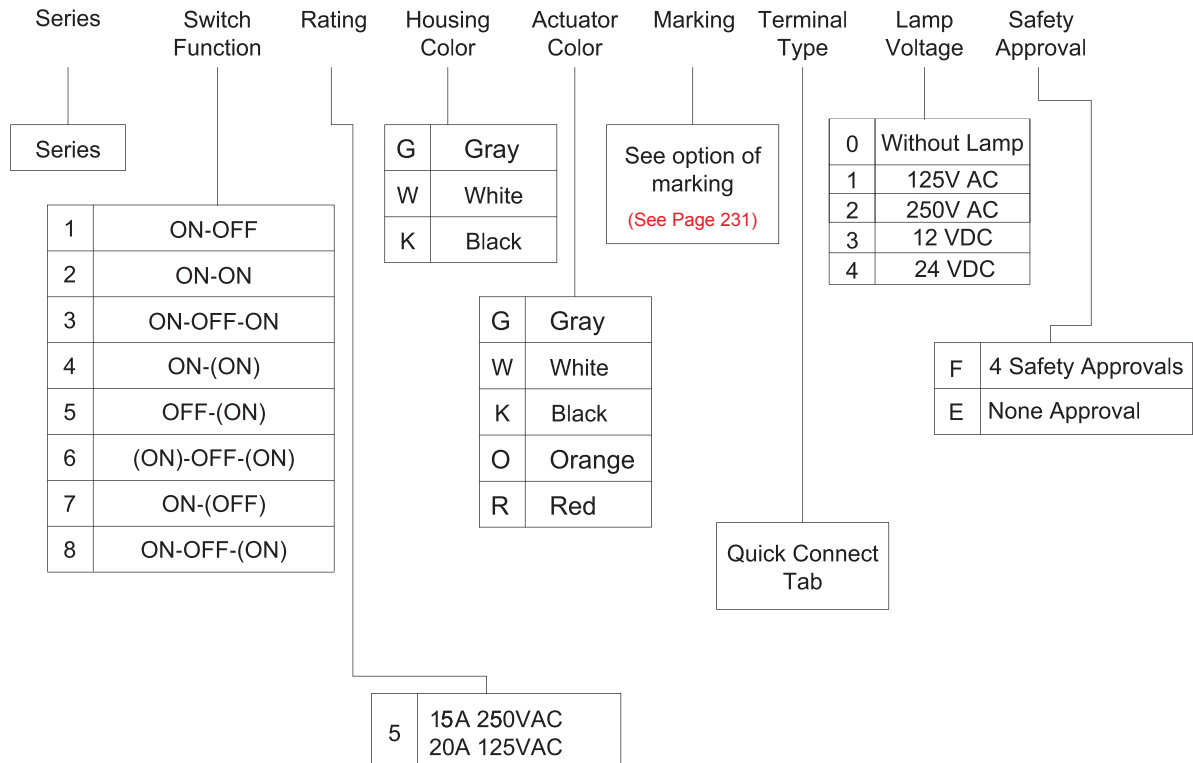
Housing: Nylon 66
Rocker: PC & PA66
Contacts: Silver Alloy
Terminal: Brass Silver Plated
Lamp: Neon Lamp, Tungsten Lamp
Spring: SWP,SUS
Movable Arm: Brass Silver Plated



HOW TO ORDER

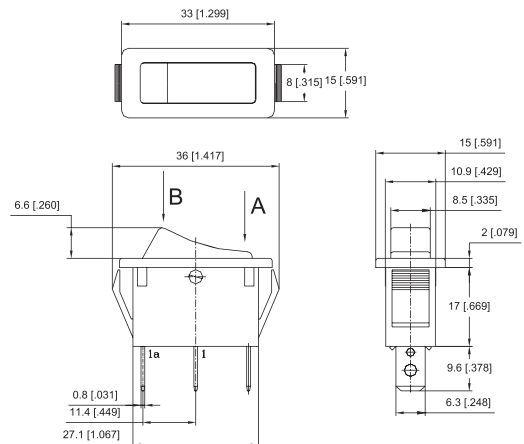
X2-R4
Rocker Switches

X2-R4 1 5 K K E T 0 F A

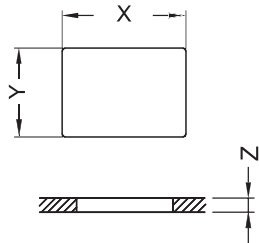


OPTIONS OF SWITCH FUNCTION / DIMENSION

Item NO	POLES & THROWS	Rocker position ():Momentary		
		Left	Center	Right
X2-R41	SPST	ON	None	OFF
X2-R42	SPDT	ON	None	ON
X2-R43	SPDT	ON	OFF	ON
X2-R44	SPDT	ON	None	(ON)
X2-R45	SPST	OFF	None	(ON)
X2-R46	SPDT	(ON)	OFF	(ON)
X2-R47	SPST	ON	None	(OFF)
X2-R48	SPDT	ON	OFF	(ON)
X2-R49	SPST (WITH LAMP)	ON	None	OFF



PANEL CUT OUT



Z	Y	X
0.70~1.25	11.10~11.20	29.60~29.70
1.25~2.00	11.10~11.20	30.10~30.20
2.00~3.00	11.10~11.20	30.45~30.55

CIRCUITS FOR SWITCH WITH LAMP

For circuit of 250V AC or 125V AC
For circuit of 24V DC or 12V DC

