



# 3M Series

Miniature Rocker & Paddle Switches

## SWITCH FUNCTION

NO. POLES	UL/CSA MODEL NO.	MODEL NO.	SWITCH FUNCTION			CONNECTED TERMINALS / SCHEMATIC		
			POS.1	POS.2	POS.3	POS.1	POS.2	POS.3
SP	Q1311	3MS1	ON	NONE	ON		N/A	
	Q1312	3MS2	ON	NONE	MOM			
	Q1313	3MS3	ON	OFF	ON			
	Q1314	3MS4	MOM	OFF	MOM			
	Q1315	3MS5	ON	OFF	MOM			
DP ▲ ▲	Q1321	3MD1	ON	NONE	ON		N/A	
	Q1322	3MD2	ON	NONE	MOM			
	Q1323	3MD3	ON	OFF	ON			
	Q1324	3MD4	MOM	OFF	MOM			
	Q1325	3MD5	ON	OFF	MOM			
	Q1326	3MD6	ON	ON	ON			
	Q1327	3MD7	MOM	ON	MOM			
	Q1328	3MD8	ON	ON	MOM			
3P	Q1331	3M31	ON	NONE	ON		N/A	
	Q1332	3M32	ON	NONE	MOM			
	Q1333	3M33	ON	OFF	ON			
	Q1334	3M34	MOM	OFF	MOM			
	Q1335	3M35	ON	OFF	MOM			
4P ▲ ▲	Q1341	3M41	ON	NONE	ON		N/A	
	Q1342	3M42	ON	NONE	MOM			
	Q1343	3M43	ON	OFF	ON			
	Q1344	3M44	MOM	OFF	MOM			
	Q1345	3M45	ON	OFF	MOM			
	Q1346	3M46	ON	ON	ON			
	Q1347	3M47	MOM	ON	MOM			
	Q1348	3M48	ON	ON	MOM			

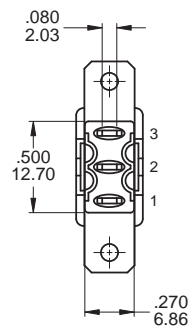
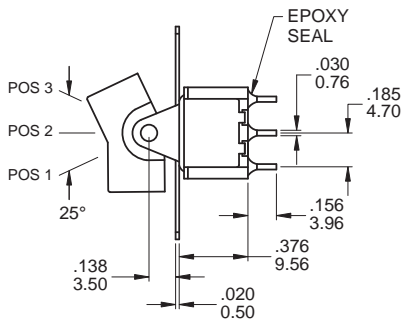
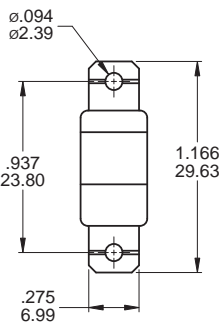
MOM=MOMENTARY

▲ Please check the availability in advance before order



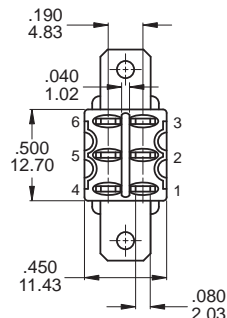
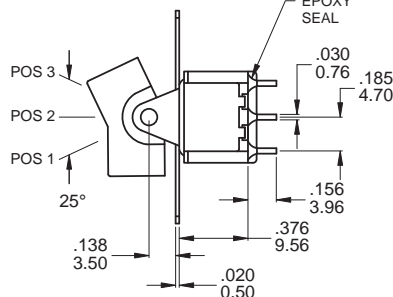
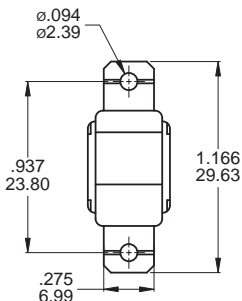
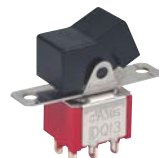
3M  
Rocker Switches

### POLE OPTIONS



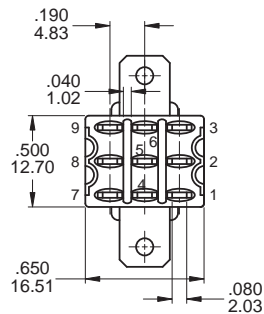
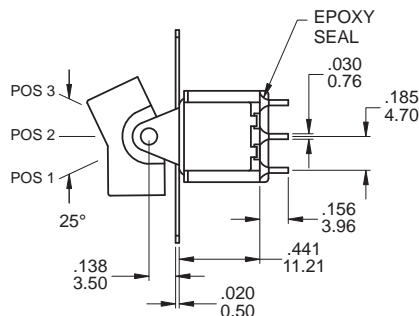
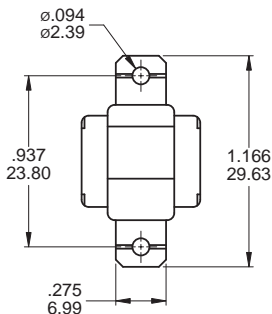
**SPDT**

Part No. Shown : 3MS1R102M1QE



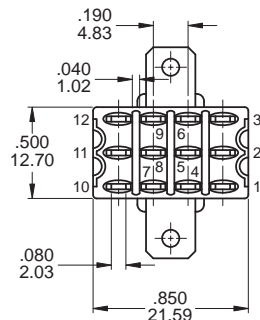
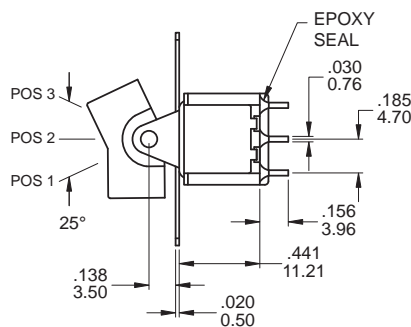
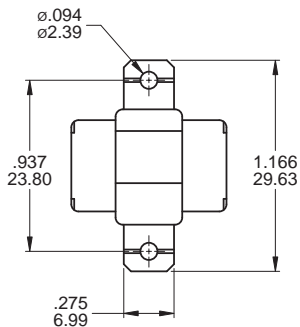
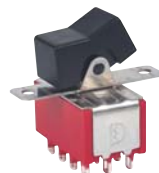
**DPDT**

Part No. Shown : 3MD1R102M1QE



**3PDT**

Part No. Shown : 3M31R102M1QE



**4PDT**

Part No. Shown : 3M41R102M1QE



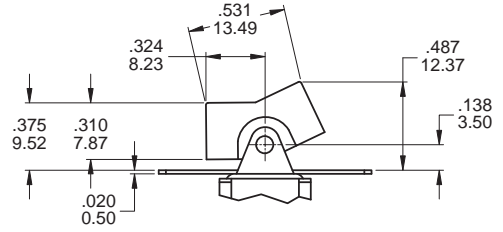
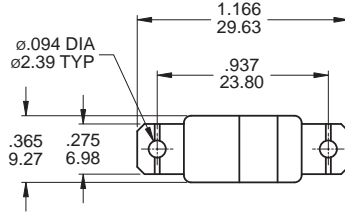
3M  
Rocker Switches

# 3M Series

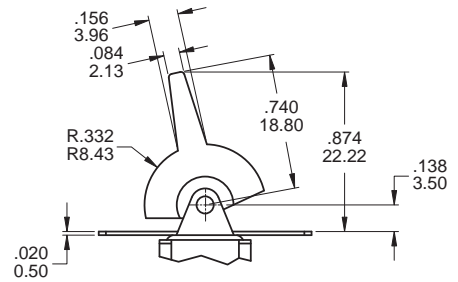
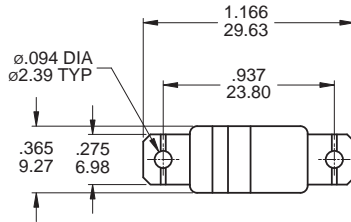
Miniature Rocker & Paddle Switches

## ACTUATOR OPTIONS FOR PANEL MOUNT ONLY

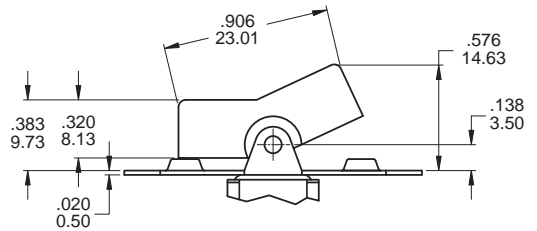
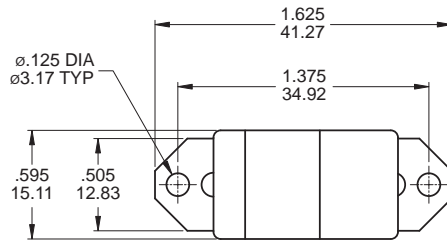
### R1



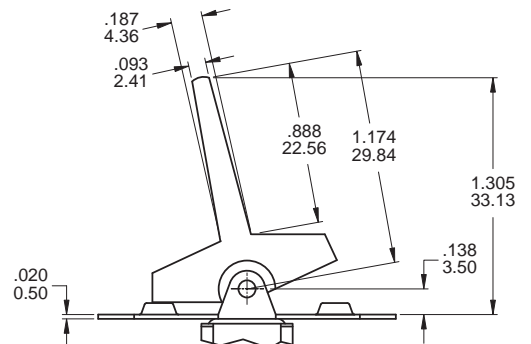
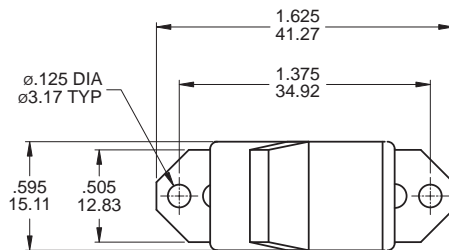
### R2



### R3



### R4



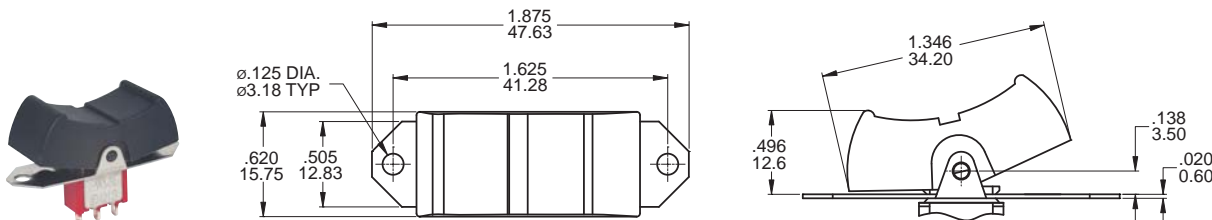
3M  
Rocker Switches

## ACTUATOR OPTIONS SNAP-IN FRONT MOUNT

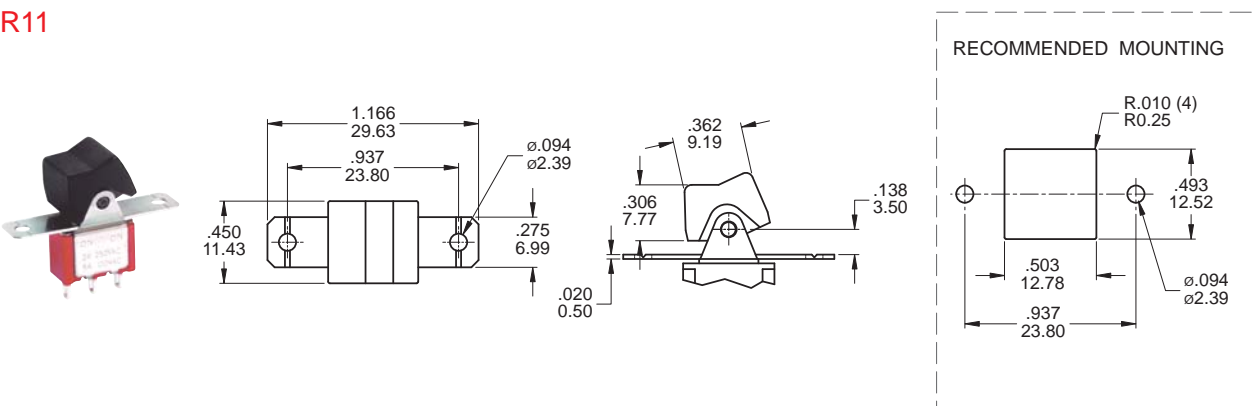


3M  
Rocker Switches

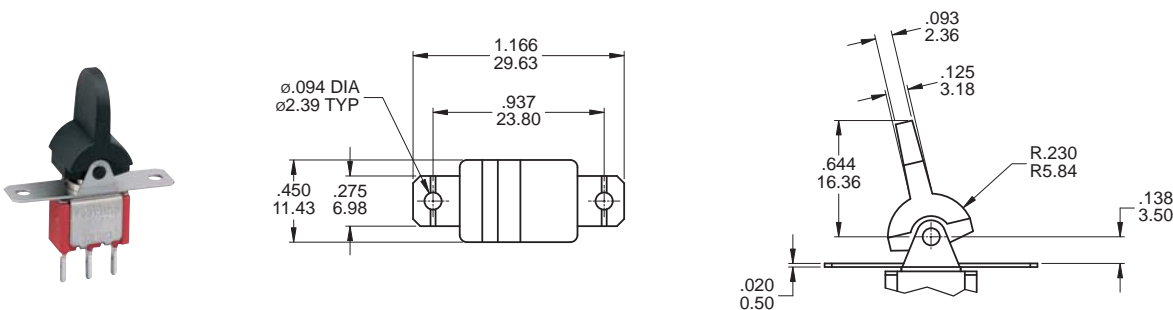
### R5



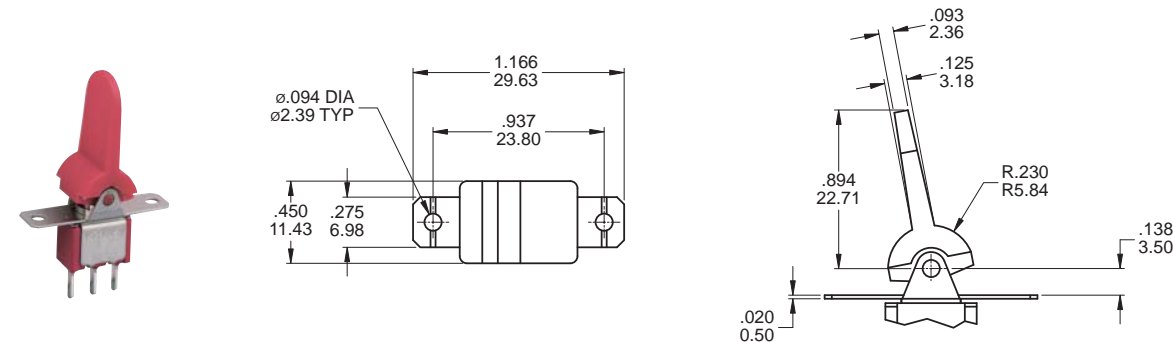
### R11



### R12



### R13



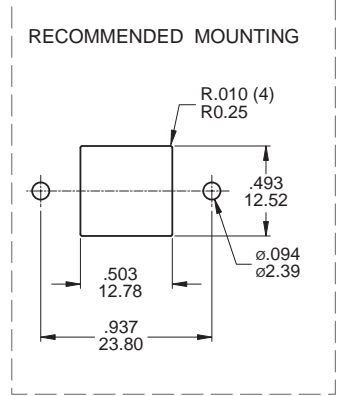
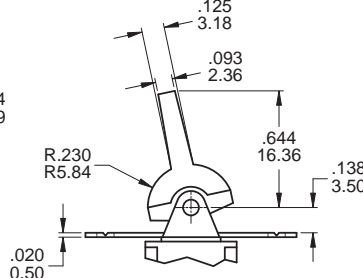
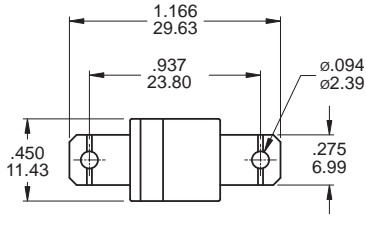
# 3M Series

Miniature Rocker & Paddle Switches

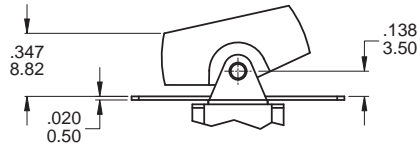
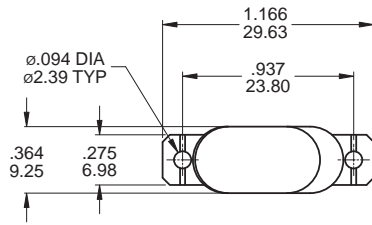


3M  
Rocker Switches

## R16

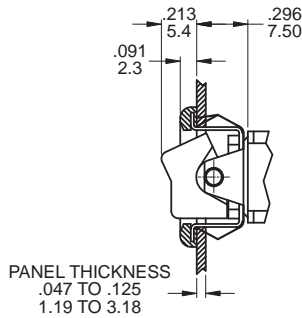
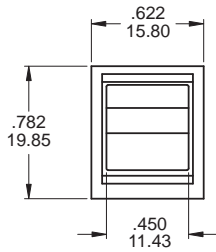


## RB

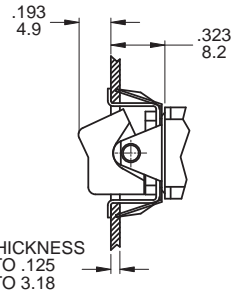


## ACTUATOR OPTIONS SNAP-IN FRONT MOUNT

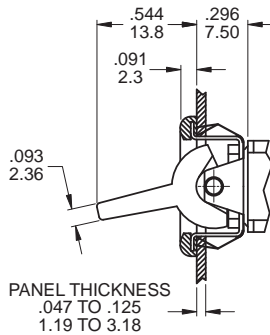
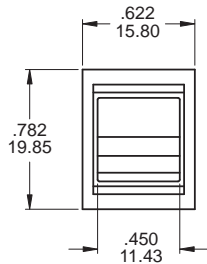
### R6



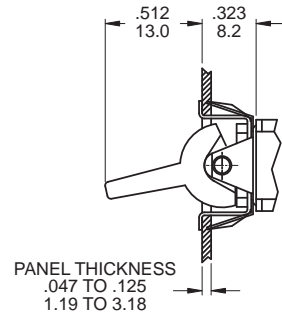
### R6K Snap-in



### R7

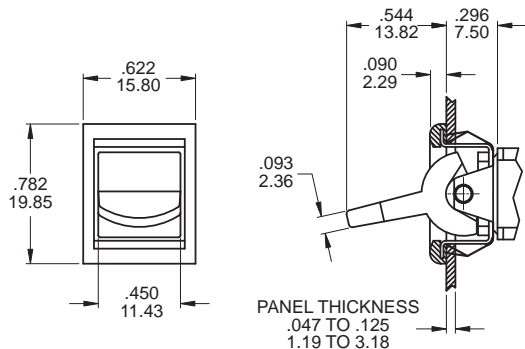


### R7K Snap-in

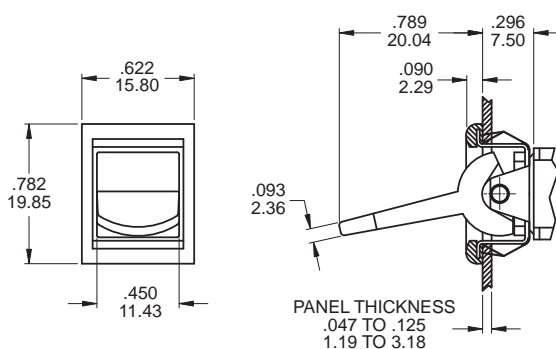




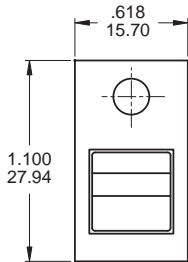
R8



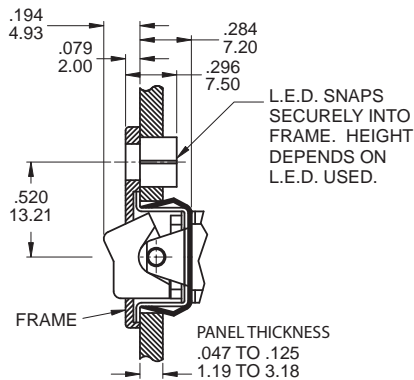
R9



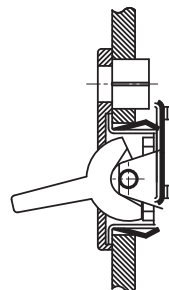
R18



▲R17



▲R18



**CAP and FRAME colors**

OPTION CODE	COLOR
1	WHITE
2	BLACK (std)
3	RED

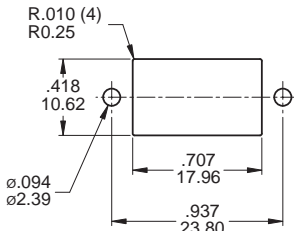
**LED colors**

OPTION CODE	COLOR
R	RED (std)
O	ORANGE
G	GREEN

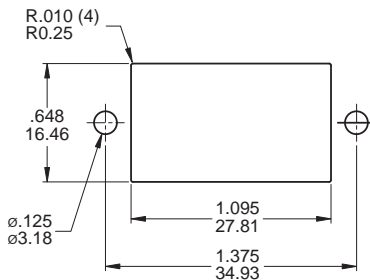
\* Besides standard color, other colors need to check stocks available.

**PANEL MOUNTING**

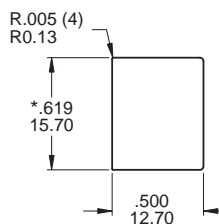
For R1-R2



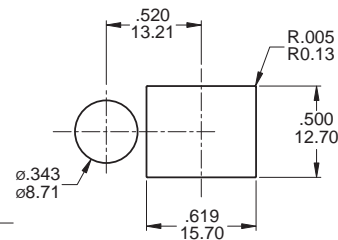
For R3-R4



For R6-R9



For R17-R18



\* For R6 and R7: Increase this dim. to .620/.625(15,75/15,88) for .060/.125 (1,52/3,18) thk. panels.

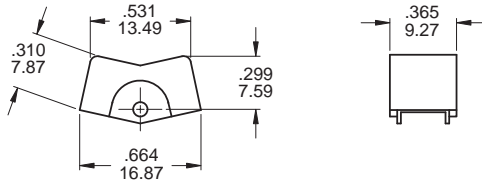
\* For R8 and R9: Increase this dim. to .620/.625(15,75/15,88) for .091/.125 (2,31/3,18) thk. panels.

# 3M Series

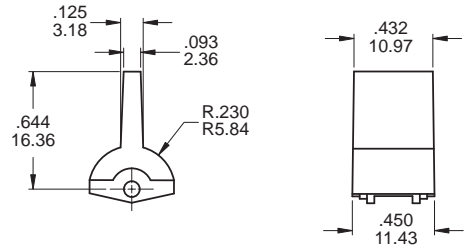
Miniature Rocker & Paddle Switches

## ACTUATOR OPTIONS FOR P.C. MOUNT ONLY

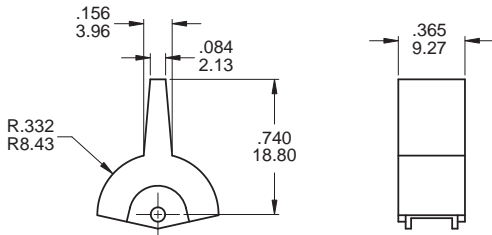
J1



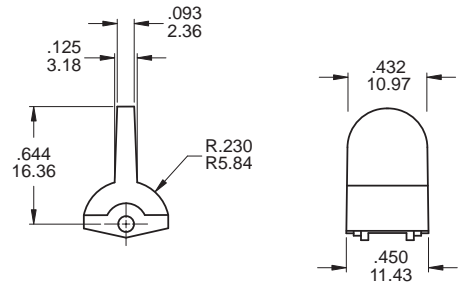
J6



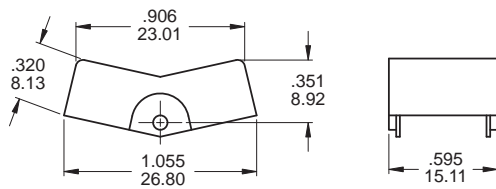
J2



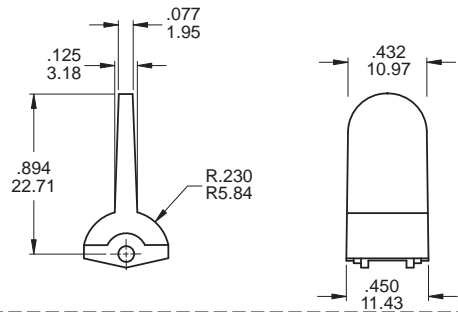
J7



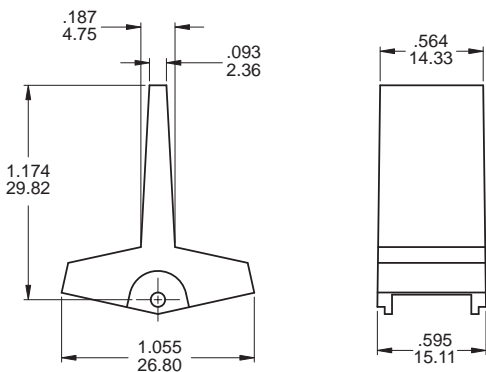
J3



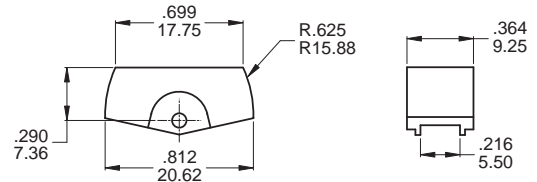
J8



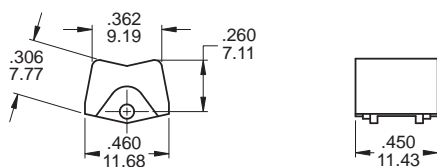
J4



JB



J5



### Actuator colors:

ITEM NO	COLOR
1	White
2	Black ( Std )
3	Red
4	Orange
5	Yellow
6	Green
7	Blue
8	Brown
9	Gray

\* Besides standard color, other colors need to check stocks available.



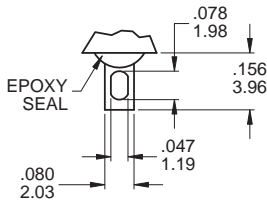
3M  
Rocker Switches





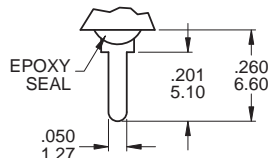
## TERMINATION OPTIONS

### M1 Solder lug



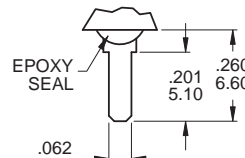
THK .030(0.76)

### M2 PC Thru-hole



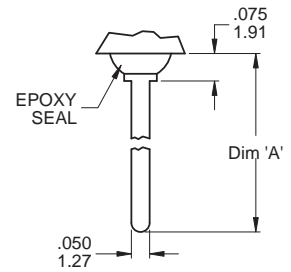
THK .030(0.76)

### M3 Quick connect



THK .030(0.76)

### M5 Wire Wrap



THK .030(0.76)

## OTHER TERMINATION OPTIONS

**M6** Right angle P.C. Mount

**M7** Right angle P.C. Mount

**VS2** Vertical bracket P.C. Mount

**VS3** Vertical bracket P.C. Mount

**VS4** Vertical bracket P.C. Mount

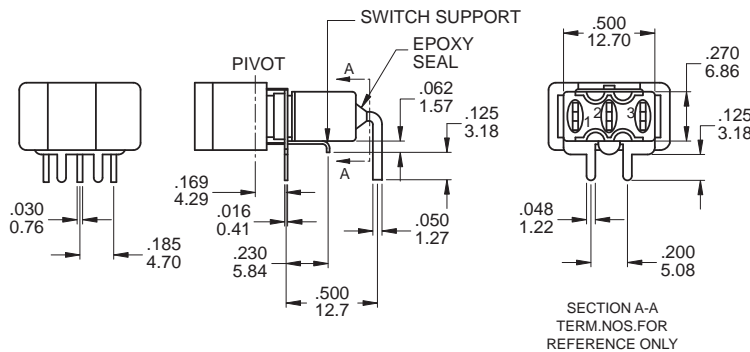
**VS5** Vertical bracket P.C. Mount

**V2N** Vertical bracket P.C. Mount  
with snap-in bracket

OPTION CODE	DIM. 'A'
M51	.736 (18.70)
M52	.953 (24.20)
M53	.415 (10.55)
M54	1.062 (26.97)

\* Shown with J1 Actuator

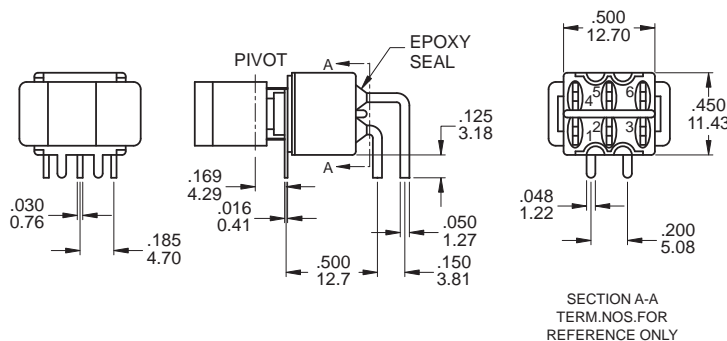
### M6



### SPDT

Part No. Shown : 3MS1J102M6QE

### M7



### DPDT

Part No. Shown : 3MD1J102M6QE

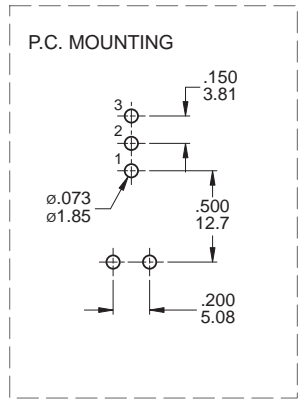
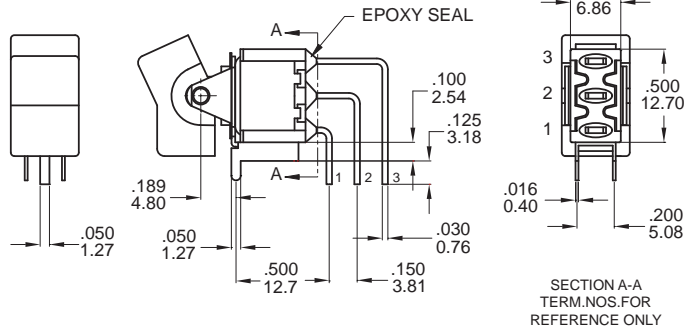
# 3M Series

Miniature Rocker & Paddle Switches



3M  
Rocker Switches

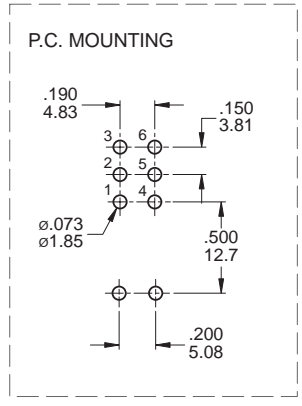
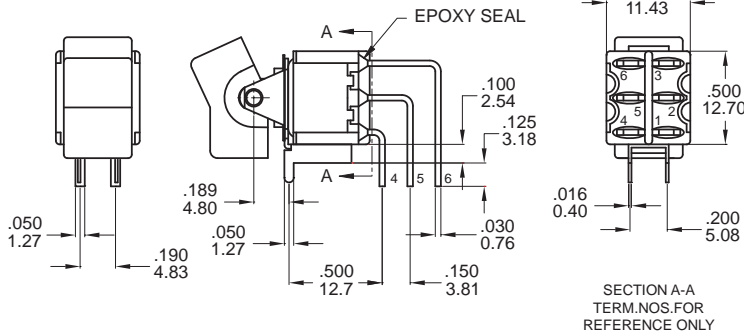
M7



SPDT

Part No. Shown : 3MS1J102M7QE

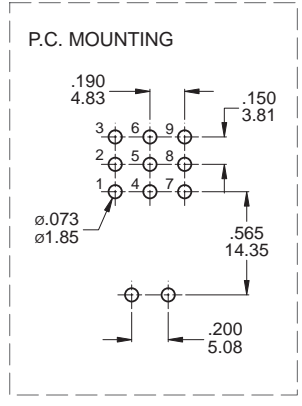
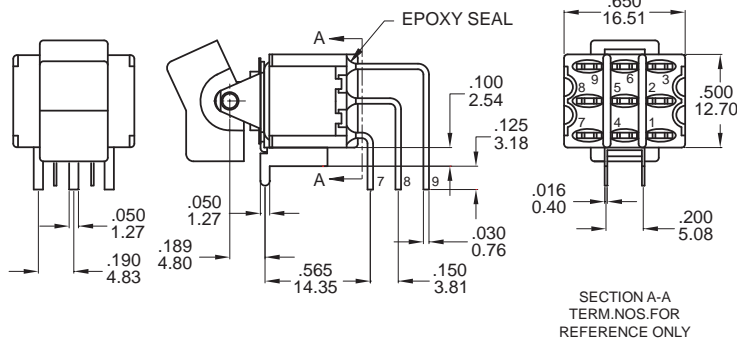
M7



DPDT

Part No. Shown : 3MD1J102M7QE

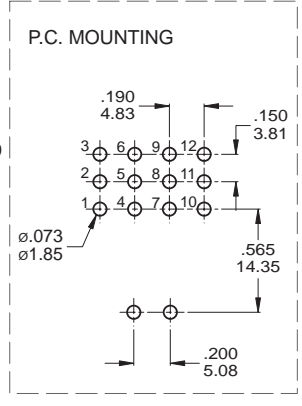
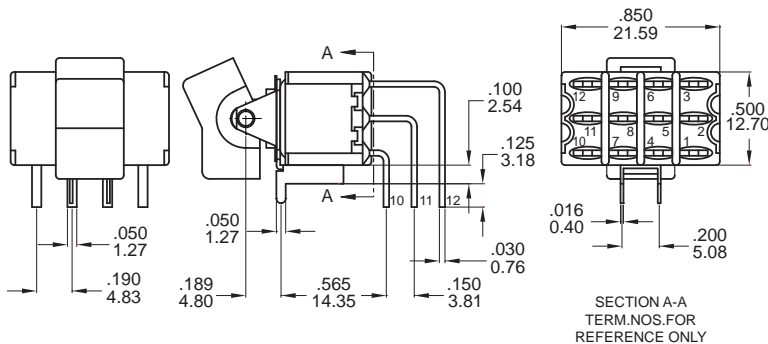
M7



3PDT

Part No. Shown : 3M31J102M7QE

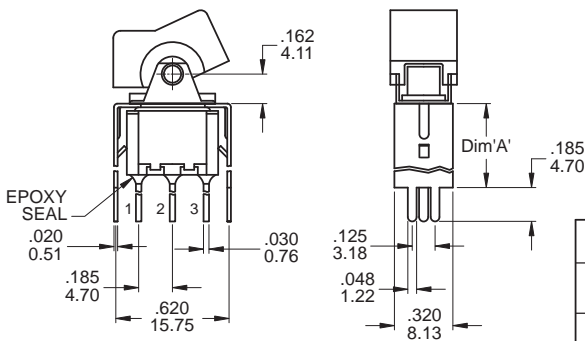
M7



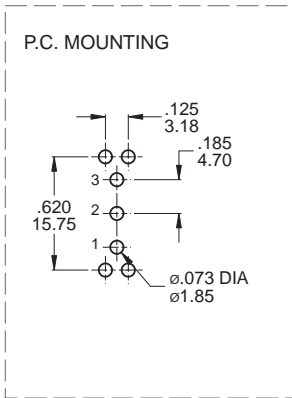
4PDT

Part No. Shown : 3M41J102M7RE

### VS2 - VS3



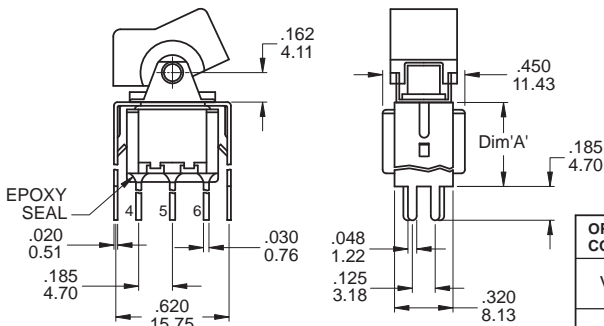
OPTION CODE	DIM. 'A'
VS2	.460 11.68
VS3	.630 16.00



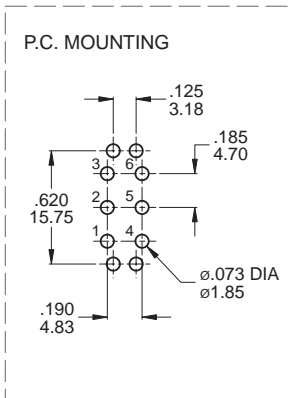
### SPDT

Part No. Shown : 3MS1J102VS2QE

### VS2 - VS3



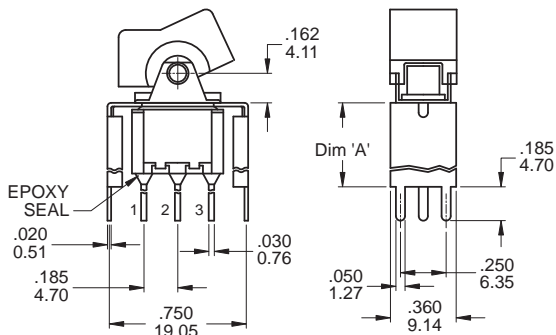
OPTION CODE	DIM. 'A'
VS2	.460 11.68
VS3	.630 16.00



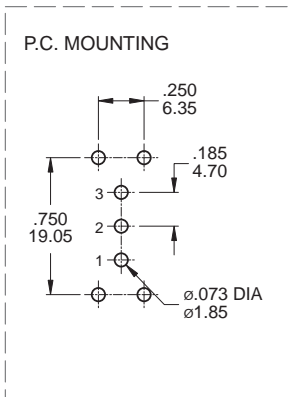
### DPDT

Part No. Shown : 3MD1J102VS2QE

### VS4 - VS5



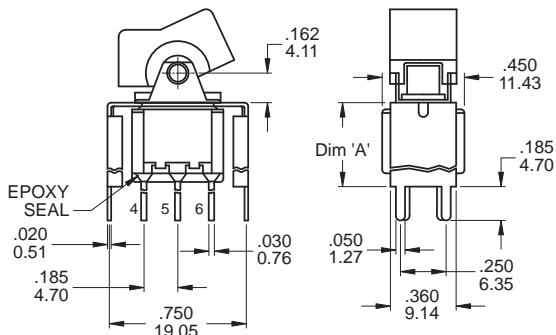
OPTION CODE	DIM. 'A'
VS4	.460 11.68
VS5	.630 16.00



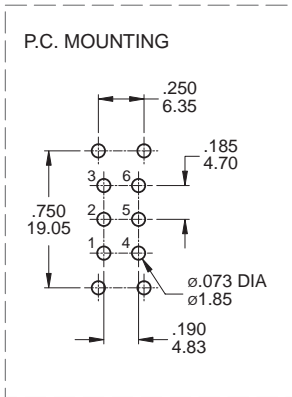
### SPDT

Part No. Shown : 3MS1J102VS4QE

### VS4 - VS5



OPTION CODE	DIM. 'A'
VS4	.460 11.68
VS5	.630 16.00



### DPDT

Part No. Shown : 3MD1J102VS5QE

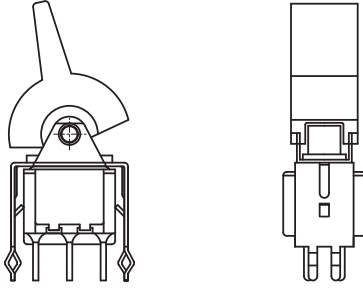


# 3M Series

Miniature Rocker & Paddle Switches

## SNAP-IN TERMINATION OPTIONS

V2N



## CONTACT MATERIAL OPTIONS

	CONTACT PLATING	TERMINAL PLATING	RATINGS
Q	Silver	Q = Silver	5 Amps with resistant load @ 120VAC or 28VDC
C	Gold over Silver	C = Gold over silver	2 Amps with resistant load @ 250VAC
R	Gold	R = Gold	0.4 Volt - Amps ( VA ) max. @ 20V max. ( AC or DC )

## SOLDERING PROCESSES

**MANUAL SOLDERING:** Use soldering iron of 30 watts, controlled at 350°C approximately 5 seconds while applying solder.

**WAVE SOLDERING:** Recommended Soldering Temperature: 270 ± 5°C  
Duration of Solder Immersion: Max 5 sec. (PCB is 1.6mm in thickness)



3M  
Rocker Switches