



SPECIFICATIONS

CONTACT RATING: Dependent upon contact material See Page 37.

MECHANICAL LIFE: 30,000 make-and-break cycles.

CONTACT RESISTANCE: 20 mΩ max. initial @ 2-4VDC
100mA for both silver and gold plated contacts.

INSULATION RESISTANCE: 1,000 MΩ min.

DIELECTRIC STRENGTH: 1,000 Vrms min. @sea level.

OPERATING TEMPERATURE: -30°C to 85°C.

MATERIALS

CASE & BUSHING: Glass filled nylon 6/6, flame retardant, heat stabilized (UL94v-0).

ACTUATOR: Brass, chrome plated, internal O-ring seal.
Standard for all actuators.

SWITCH SUPPORT: Brass, tin plated.

CONTACT / TERMINALS: Copper alloy, with Silver or gold plated.
(See Page 37)

IP 67
ACCORDING TO
EN 60529:1991+A1:2001
IEC 60529:2001

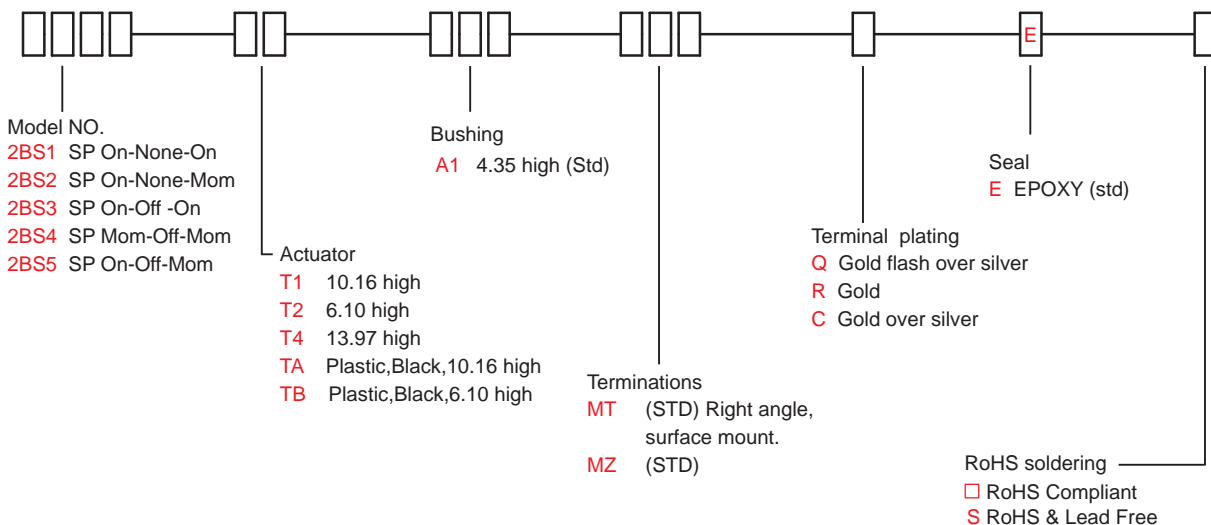
UL US
E 187490

RoHS
compliant

Pb
lead-free

HOW TO ORDER

MODEL NO. ACTUATOR BUSHING TERMINATIONS TERMINAL PLATING SEAL RoHS SOLDERING



2B Series

Sealed Sub-Miniature Toggle Switches(SMT)

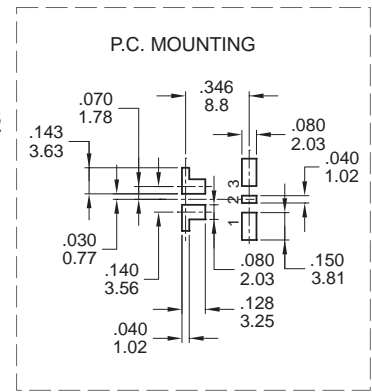
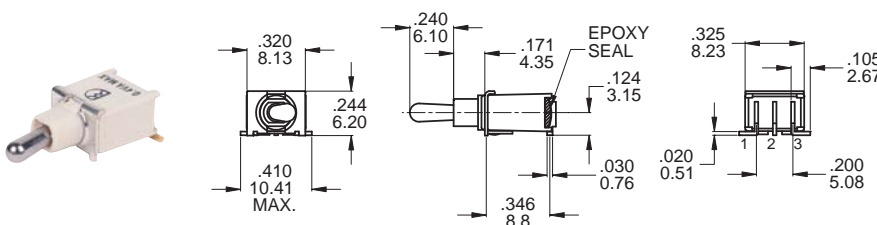
SWITCH FUNCTION

NO. POLES	UL/CSA MODEL NO.	MODEL NO.	SWITCH FUNCTION			CONNECTED TERMINALS / SCHEMATIC		
			POS.1	POS.2	POS.3	POS.1	POS.2	POS.3
SP	Q22B11	2BS1	ON	NONE	ON	2-3	N/A	2-1
	Q22B12	2BS2	ON	NONE	MOM			
	Q22B13	2BS3	ON	OFF	ON		OPEN	
	Q22B14	2BS4	MOM	OFF	MOM			
	Q22B15	2BS5	ON	OFF	MOM			

MOM=MOMENTARY

POLE OPTIONS

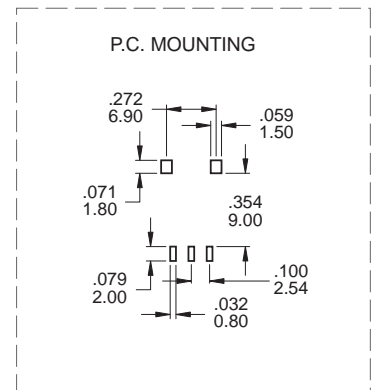
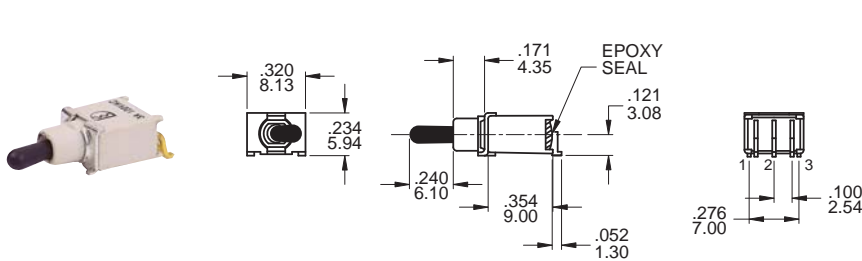
MT



Part No. Shown : 2BS1T2A1MTRE

SPDT

MZ

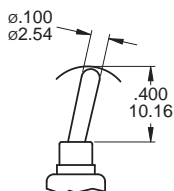


Part No. Shown : 2BS1TBA1MZRE

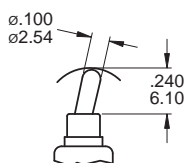
SPDT

ACTUATOR OPTIONS

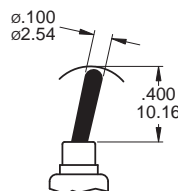
T1



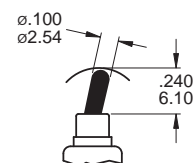
T2



TA



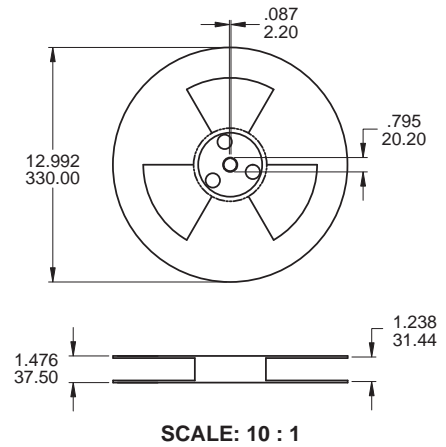
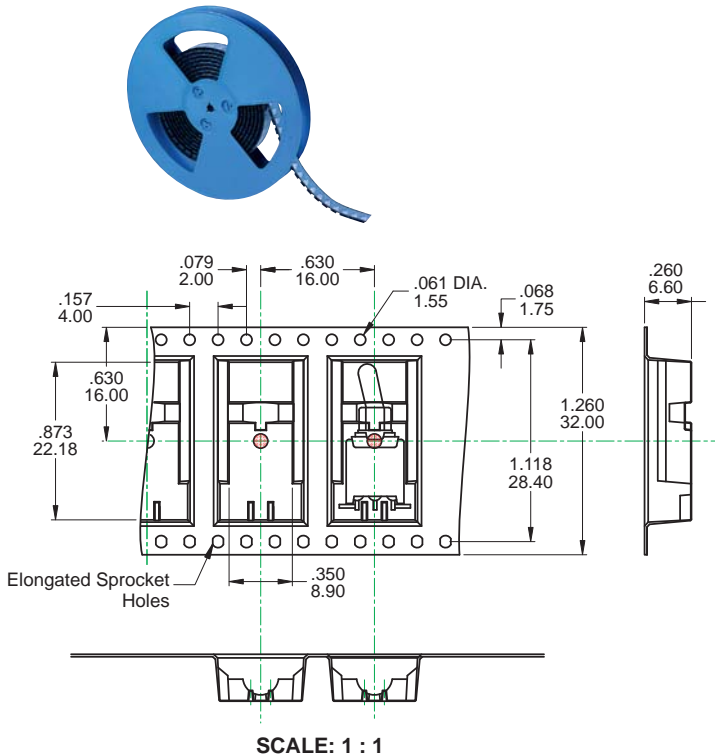
TB



PLASTIC ACTUATOR

PACKAGING

Switches available on embossed antistatic tape and reels.
Tape and cover strip are conductive for use near statically sensitive components.



REEL INFORMATION	
QUANTITY PER REEL	500 / pcs

CONTACT MATERIAL OPTIONS

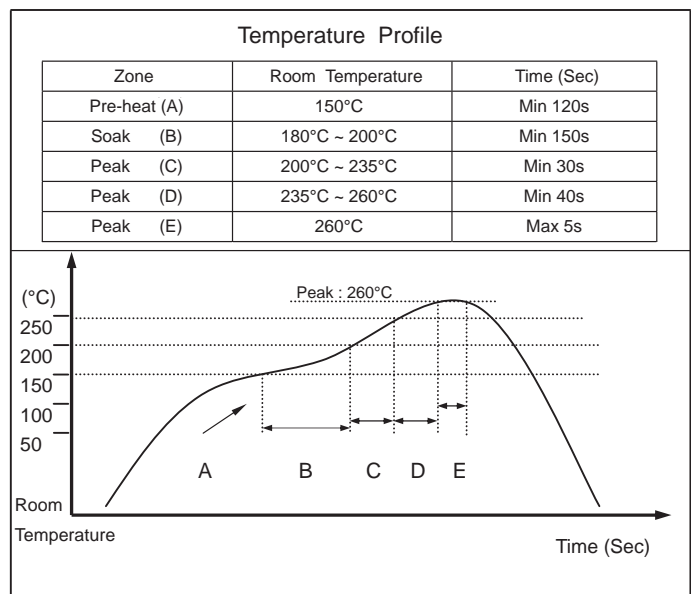
	CONTACT PLATING	TERMINAL PLATING	RATINGS
Q	Silver	Q = Gold flash over silver	3 Amps with resistant load @ 120VAC or 28VDC 1 Amps with resistant load @ 250VAC
C	Gold over Silver	C = Gold over silver	
R	Gold	R = Gold	0.4 Volt - Amps (VA) max. @ 20V max. (AC or DC)

SOLDERING PROCESSES

WAVE SOLDERING:

Recommended Soldering Temperature: $260 \pm 5^\circ\text{C}$
Duration of Solder Immersion: Max 5 sec.
(PCB is 1.6mm in thickness)

SOLDERING: Vapor phase & IR-reflow soldering can be applied.



2B
Toggle Switches