

Unit: mm

Recommended hole size

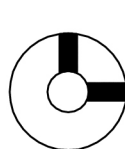
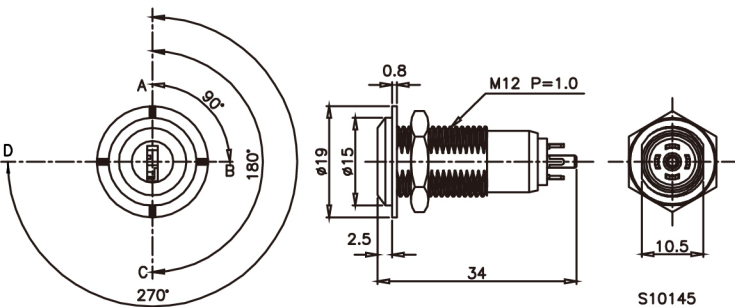


Fig.1



Fig.2



Fig.3



Fig.4



Fig.5

Fig No	Lock Number	Pole	Positions	Terminals	Key Pulls	Turn	⬆	➡	⬇	⬅	Type
1	S10123	1	2	3	2	90°	On	On			SPDT
2	S10133	1	3	3	3	180°	Off	On	On		SPDT
3	S10134	1	3	4	3	180°	On	On	On		SP3T
4	S10144	1	4	4	4	270°	Off	On	On	On	SP3T
5	S10145	1	4	5	4	270°	On	On	On	On	SP4T