

Unit: mm

Recommended hole size

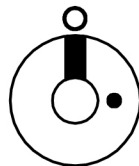
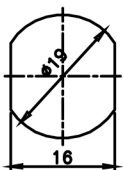
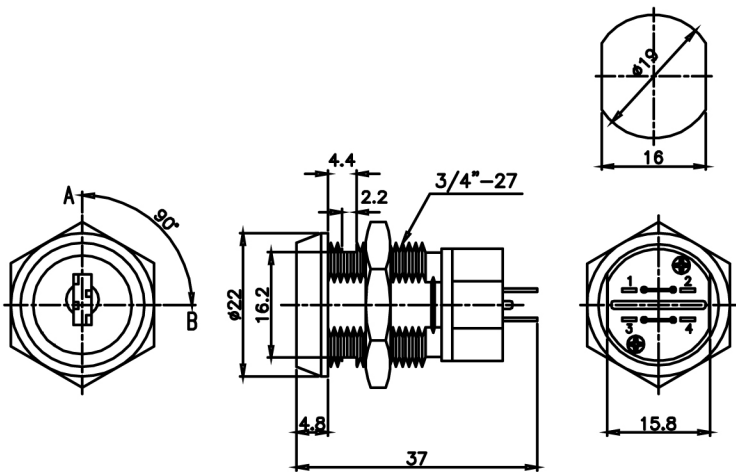


Fig.1

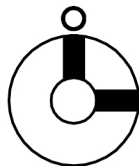


Fig.2

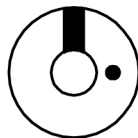


Fig.3

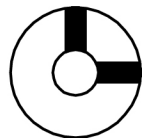


Fig.4

Fig No	Lock Number	Pole	Positions	Terminals	Key Pulls	Turn	⬆	➡	Type
1	S286A-1	2	2	4	1	90°	Off	On	DPST
2	S286A-2	2	2	4	2	90°	Off	On	DPST
3	S286B-1	2	2	4	1	90°	On	On	SPDT
4	S286B-2	2	2	4	2	90°	On	On	SPDT