

Unit: mm

Recommended hole size

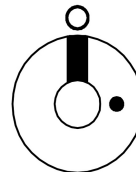
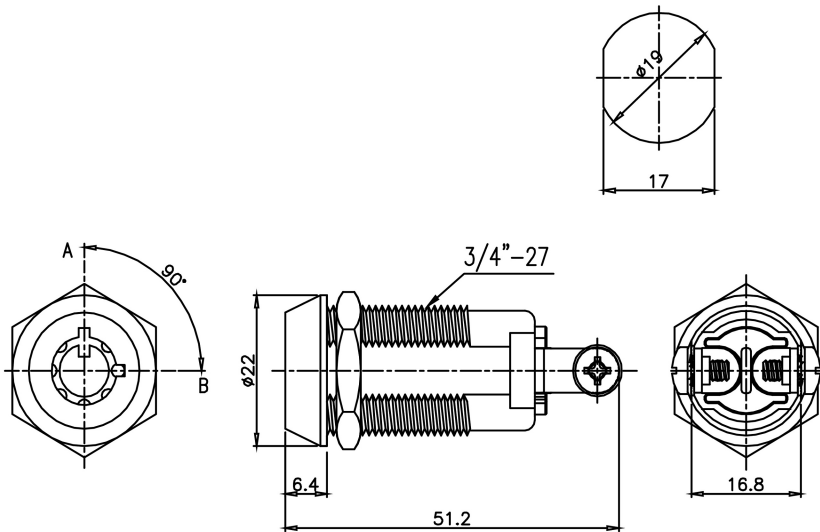


Fig.1

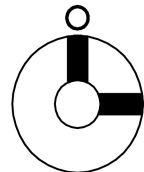




Fig.2

Fig No	Lock Number	Pole	Positions	Terminlals	Key Pulls	Turn			Type
1	S2123-1	1	2	2	1	90°	Off	On	SPST
2	S2123-2	1	2	2	2	90°	Off	On	SPST
1	S2123A	1	2	2	1	90°	Off	(On)	SPST

( ) : Momentary Contact