

Unit: mm

Recommended hole size

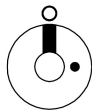
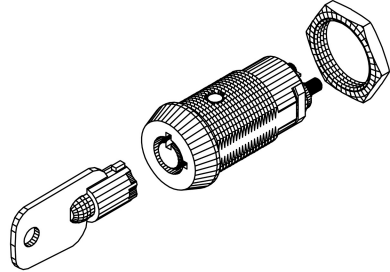
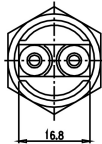
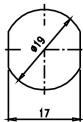
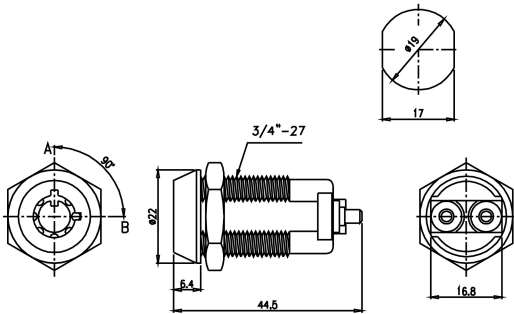


Fig.1

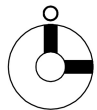


Fig.2

Fig No	Lock Number	Pole	Positions	Terminals	Key Pulls	Turn	⬆	➡	Type
1	S202Z-1	1	2	2	1	90	Off	On	SPST
2	S202Z-2	1	2	2	2	90°	Off	On	SPST
1	S202ZA	1	2	2	1	90°	Off	(On)	SPST

( ) : Momentary Contact