

高频电路用电感器
积层陶瓷
MHQ-P系列



MHQ0603P型



■ 特点

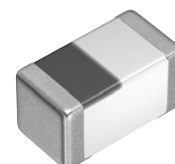
- 通过特有陶瓷材料与结构，实现了可与空芯绕线型电感器相媲美的高Q特点。
- 发挥层压工艺的特长，刻上电感。
- 工作温度范围: -55 to +125°C

■ 用途

- 智能手机、平板终端、高频模块（PA、VCO、FEM等）、Bluetooth、W-LAN、UWB、调谐器、其他移动通信领域的各种高频电路
- 应用指南: [智能手机/平板终端](#)

■ 型号的命名方法

| | | | | | | |
|------|-------------------------------|----|------------|------|------|------|
| MHQ | 0603 | P | 0N6 | B | T | 000 |
| 系列名称 | L×W×H 尺寸 0.65×0.35×0.35 mm | 特点 | 电感 (nH) | 电感容差 | 包装形式 | 管理编号 |



MHQ0603P型

■ 特点规格表

| L (nH) | 容差 | L 测定频率 (MHz) | Q min. | Q 测定频率 (MHz) | 自我共振频率 | | 直流电阻 | | 额定电流 (mA)max. | 型号 |
|-----------|--------------|-----------------|-----------|-----------------|-----------|-----------|------------------|------------------|------------------|----------------------------------|
| | | | | | (GHz)min. | (GHz)typ. | (Ω)max. | (Ω)typ. | | |
| 0.6 | ± 0.1 nH | 500 | — | 500 | 10.0 | 20.0 | 0.07 | 0.02 | 1000 | MHQ0603P0N6BT000 |
| 0.6 | ± 0.2 nH | 500 | — | 500 | 10.0 | 20.0 | 0.07 | 0.02 | 1000 | MHQ0603P0N6CT000 |
| 0.7 | ± 0.1 nH | 500 | — | 500 | 10.0 | 20.0 | 0.07 | 0.02 | 1000 | MHQ0603P0N7BT000 |
| 0.7 | ± 0.2 nH | 500 | — | 500 | 10.0 | 20.0 | 0.07 | 0.02 | 1000 | MHQ0603P0N7CT000 |
| 0.8 | ± 0.1 nH | 500 | — | 500 | 10.0 | 20.0 | 0.07 | 0.02 | 1000 | MHQ0603P0N8BT000 |
| 0.8 | ± 0.2 nH | 500 | — | 500 | 10.0 | 20.0 | 0.07 | 0.02 | 1000 | MHQ0603P0N8CT000 |
| 0.9 | ± 0.1 nH | 500 | — | 500 | 10.0 | 18.8 | 0.07 | 0.02 | 1000 | MHQ0603P0N9BT000 |
| 0.9 | ± 0.2 nH | 500 | — | 500 | 10.0 | 18.8 | 0.07 | 0.02 | 1000 | MHQ0603P0N9CT000 |
| 1.0 | ± 0.1 nH | 500 | — | 500 | 10.0 | 19.3 | 0.07 | 0.03 | 1000 | MHQ0603P1N0BT000 |
| 1.0 | ± 0.2 nH | 500 | — | 500 | 10.0 | 19.3 | 0.07 | 0.03 | 1000 | MHQ0603P1N0CT000 |
| 1.0 | ± 0.3 nH | 500 | — | 500 | 10.0 | 19.3 | 0.07 | 0.03 | 1000 | MHQ0603P1N0ST000 |
| 1.1 | ± 0.1 nH | 500 | — | 500 | 10.0 | 19.3 | 0.07 | 0.03 | 1000 | MHQ0603P1N1BT000 |
| 1.1 | ± 0.2 nH | 500 | — | 500 | 10.0 | 19.3 | 0.07 | 0.03 | 1000 | MHQ0603P1N1CT000 |
| 1.1 | ± 0.3 nH | 500 | — | 500 | 10.0 | 19.3 | 0.07 | 0.03 | 1000 | MHQ0603P1N1ST000 |
| 1.2 | ± 0.1 nH | 500 | — | 500 | 10.0 | 20.0 | 0.08 | 0.04 | 1000 | MHQ0603P1N2BT000 |
| 1.2 | ± 0.2 nH | 500 | — | 500 | 10.0 | 20.0 | 0.08 | 0.04 | 1000 | MHQ0603P1N2CT000 |
| 1.2 | ± 0.3 nH | 500 | — | 500 | 10.0 | 20.0 | 0.08 | 0.04 | 1000 | MHQ0603P1N2ST000 |
| 1.3 | ± 0.1 nH | 500 | — | 500 | 10.0 | 20.0 | 0.10 | 0.06 | 800 | MHQ0603P1N3BT000 |
| 1.3 | ± 0.2 nH | 500 | — | 500 | 10.0 | 20.0 | 0.10 | 0.06 | 800 | MHQ0603P1N3CT000 |
| 1.3 | ± 0.3 nH | 500 | — | 500 | 10.0 | 20.0 | 0.10 | 0.06 | 800 | MHQ0603P1N3ST000 |
| 1.4 | ± 0.1 nH | 500 | — | 500 | 10.0 | 18.6 | 0.10 | 0.06 | 800 | MHQ0603P1N4BT000 |
| 1.4 | ± 0.2 nH | 500 | — | 500 | 10.0 | 18.6 | 0.10 | 0.06 | 800 | MHQ0603P1N4CT000 |
| 1.4 | ± 0.3 nH | 500 | — | 500 | 10.0 | 18.6 | 0.10 | 0.06 | 800 | MHQ0603P1N4ST000 |
| 1.5 | ± 0.1 nH | 500 | 16 | 500 | 10.0 | 19.5 | 0.10 | 0.05 | 800 | MHQ0603P1N5BT000 |
| 1.5 | ± 0.2 nH | 500 | 16 | 500 | 10.0 | 19.5 | 0.10 | 0.05 | 800 | MHQ0603P1N5CT000 |
| 1.5 | ± 0.3 nH | 500 | 16 | 500 | 10.0 | 19.5 | 0.10 | 0.05 | 800 | MHQ0603P1N5ST000 |
| 1.6 | ± 0.1 nH | 500 | 16 | 500 | 10.0 | 17.5 | 0.10 | 0.06 | 800 | MHQ0603P1N6BT000 |
| 1.6 | ± 0.2 nH | 500 | 16 | 500 | 10.0 | 17.5 | 0.10 | 0.06 | 800 | MHQ0603P1N6CT000 |
| 1.6 | ± 0.3 nH | 500 | 16 | 500 | 10.0 | 17.5 | 0.10 | 0.06 | 800 | MHQ0603P1N6ST000 |
| 1.7 | ± 0.1 nH | 500 | 16 | 500 | 10.0 | 16.7 | 0.10 | 0.07 | 800 | MHQ0603P1N7BT000 |
| 1.7 | ± 0.2 nH | 500 | 16 | 500 | 10.0 | 16.7 | 0.10 | 0.07 | 800 | MHQ0603P1N7CT000 |
| 1.7 | ± 0.3 nH | 500 | 16 | 500 | 10.0 | 16.7 | 0.10 | 0.07 | 800 | MHQ0603P1N7ST000 |
| 1.8 | ± 0.1 nH | 500 | 16 | 500 | 10.0 | 15.8 | 0.12 | 0.07 | 700 | MHQ0603P1N8BT000 |
| 1.8 | ± 0.2 nH | 500 | 16 | 500 | 10.0 | 15.8 | 0.12 | 0.07 | 700 | MHQ0603P1N8CT000 |
| 1.8 | ± 0.3 nH | 500 | 16 | 500 | 10.0 | 15.8 | 0.12 | 0.07 | 700 | MHQ0603P1N8ST000 |
| 1.9 | ± 0.1 nH | 500 | 16 | 500 | 10.0 | 16.1 | 0.12 | 0.08 | 700 | MHQ0603P1N9BT000 |
| 1.9 | ± 0.2 nH | 500 | 16 | 500 | 10.0 | 16.1 | 0.12 | 0.08 | 700 | MHQ0603P1N9CT000 |
| 1.9 | ± 0.3 nH | 500 | 16 | 500 | 10.0 | 16.1 | 0.12 | 0.08 | 700 | MHQ0603P1N9ST000 |
| 2.0 | ± 0.1 nH | 500 | 16 | 500 | 10.0 | 13.8 | 0.12 | 0.08 | 700 | MHQ0603P2N0BT000 |
| 2.0 | ± 0.2 nH | 500 | 16 | 500 | 10.0 | 13.8 | 0.12 | 0.08 | 700 | MHQ0603P2N0CT000 |
| 2.0 | ± 0.3 nH | 500 | 16 | 500 | 10.0 | 13.8 | 0.12 | 0.08 | 700 | MHQ0603P2N0ST000 |
| 2.1 | ± 0.1 nH | 500 | 16 | 500 | 10.0 | 12.7 | 0.15 | 0.08 | 700 | MHQ0603P2N1BT000 |
| 2.1 | ± 0.2 nH | 500 | 16 | 500 | 10.0 | 12.7 | 0.15 | 0.08 | 700 | MHQ0603P2N1CT000 |
| 2.1 | ± 0.3 nH | 500 | 16 | 500 | 10.0 | 12.7 | 0.15 | 0.08 | 700 | MHQ0603P2N1ST000 |

· 短路棒的残留电感值 = 0.48nH

测量设备

| 测量项目 | 型号 | 厂商 |
|--------|--------------|-----------------------|
| L、Q | 4991A+16197A | Keysight Technologies |
| 自我共振频率 | 8720C | Keysight Technologies |
| 直流电阻 | Type-7561 | Yokogawa |

* 有时使用同等测量设备。

MHQ0603P型

■ 特点规格表

| L (nH) | 容差 | L 测定频率 (MHz) | Q min. | Q 测定频率 (MHz) | 自我共振频率 | | 直流电阻 | | 额定电流 (mA)max. | 型号 |
|-----------|--------------|-----------------|-----------|-----------------|-----------|-----------|------------------|------------------|------------------|------------------|
| | | | | | (GHz)min. | (GHz)typ. | (Ω)max. | (Ω)typ. | | |
| 2.2 | ± 0.1 nH | 500 | 16 | 500 | 10.0 | 13.2 | 0.15 | 0.09 | 700 | MHQ0603P2N2BT000 |
| 2.2 | ± 0.2 nH | 500 | 16 | 500 | 10.0 | 13.2 | 0.15 | 0.09 | 700 | MHQ0603P2N2CT000 |
| 2.2 | ± 0.3 nH | 500 | 16 | 500 | 10.0 | 13.2 | 0.15 | 0.09 | 700 | MHQ0603P2N2ST000 |
| 2.3 | ± 0.1 nH | 500 | 16 | 500 | 10.0 | 12.5 | 0.15 | 0.08 | 700 | MHQ0603P2N3BT000 |
| 2.3 | ± 0.2 nH | 500 | 16 | 500 | 10.0 | 12.5 | 0.15 | 0.08 | 700 | MHQ0603P2N3CT000 |
| 2.3 | ± 0.3 nH | 500 | 16 | 500 | 10.0 | 12.5 | 0.15 | 0.08 | 700 | MHQ0603P2N3ST000 |
| 2.4 | ± 0.1 nH | 500 | 16 | 500 | 8.0 | 11.7 | 0.15 | 0.08 | 700 | MHQ0603P2N4BT000 |
| 2.4 | ± 0.2 nH | 500 | 16 | 500 | 8.0 | 11.7 | 0.15 | 0.08 | 700 | MHQ0603P2N4CT000 |
| 2.4 | ± 0.3 nH | 500 | 16 | 500 | 8.0 | 11.7 | 0.15 | 0.08 | 700 | MHQ0603P2N4ST000 |
| 2.5 | ± 0.1 nH | 500 | 16 | 500 | 8.0 | 11.1 | 0.25 | 0.17 | 500 | MHQ0603P2N5BT000 |
| 2.5 | ± 0.2 nH | 500 | 16 | 500 | 8.0 | 11.1 | 0.25 | 0.17 | 500 | MHQ0603P2N5CT000 |
| 2.5 | ± 0.3 nH | 500 | 16 | 500 | 8.0 | 11.1 | 0.25 | 0.17 | 500 | MHQ0603P2N5ST000 |
| 2.6 | ± 0.1 nH | 500 | 16 | 500 | 8.0 | 11.1 | 0.25 | 0.16 | 500 | MHQ0603P2N6BT000 |
| 2.6 | ± 0.2 nH | 500 | 16 | 500 | 8.0 | 11.1 | 0.25 | 0.16 | 500 | MHQ0603P2N6CT000 |
| 2.6 | ± 0.3 nH | 500 | 16 | 500 | 8.0 | 11.1 | 0.25 | 0.16 | 500 | MHQ0603P2N6ST000 |
| 2.7 | ± 0.1 nH | 500 | 16 | 500 | 8.0 | 10.5 | 0.25 | 0.16 | 500 | MHQ0603P2N7BT000 |
| 2.7 | ± 0.2 nH | 500 | 16 | 500 | 8.0 | 10.5 | 0.25 | 0.16 | 500 | MHQ0603P2N7CT000 |
| 2.7 | ± 0.3 nH | 500 | 16 | 500 | 8.0 | 10.5 | 0.25 | 0.16 | 500 | MHQ0603P2N7ST000 |
| 2.8 | ± 0.1 nH | 500 | 16 | 500 | 8.0 | 10.6 | 0.25 | 0.18 | 500 | MHQ0603P2N8BT000 |
| 2.8 | ± 0.2 nH | 500 | 16 | 500 | 8.0 | 10.6 | 0.25 | 0.18 | 500 | MHQ0603P2N8CT000 |
| 2.8 | ± 0.3 nH | 500 | 16 | 500 | 8.0 | 10.6 | 0.25 | 0.18 | 500 | MHQ0603P2N8ST000 |
| 2.9 | ± 0.1 nH | 500 | 16 | 500 | 8.0 | 10.8 | 0.30 | 0.19 | 450 | MHQ0603P2N9BT000 |
| 2.9 | ± 0.2 nH | 500 | 16 | 500 | 8.0 | 10.8 | 0.30 | 0.19 | 450 | MHQ0603P2N9CT000 |
| 2.9 | ± 0.3 nH | 500 | 16 | 500 | 8.0 | 10.8 | 0.30 | 0.19 | 450 | MHQ0603P2N9ST000 |
| 3.0 | ± 0.1 nH | 500 | 16 | 500 | 8.0 | 10.3 | 0.30 | 0.19 | 450 | MHQ0603P3N0BT000 |
| 3.0 | ± 0.2 nH | 500 | 16 | 500 | 8.0 | 10.3 | 0.30 | 0.19 | 450 | MHQ0603P3N0CT000 |
| 3.0 | ± 0.3 nH | 500 | 16 | 500 | 8.0 | 10.3 | 0.30 | 0.19 | 450 | MHQ0603P3N0ST000 |
| 3.1 | ± 0.1 nH | 500 | 16 | 500 | 8.0 | 10.5 | 0.30 | 0.19 | 450 | MHQ0603P3N1BT000 |
| 3.1 | ± 0.2 nH | 500 | 16 | 500 | 8.0 | 10.5 | 0.30 | 0.19 | 450 | MHQ0603P3N1CT000 |
| 3.1 | ± 0.3 nH | 500 | 16 | 500 | 8.0 | 10.5 | 0.30 | 0.19 | 450 | MHQ0603P3N1ST000 |
| 3.2 | ± 0.1 nH | 500 | 16 | 500 | 7.0 | 9.5 | 0.20 | 0.13 | 550 | MHQ0603P3N2BT000 |
| 3.2 | ± 0.2 nH | 500 | 16 | 500 | 7.0 | 9.5 | 0.20 | 0.13 | 550 | MHQ0603P3N2CT000 |
| 3.2 | ± 0.3 nH | 500 | 16 | 500 | 7.0 | 9.5 | 0.20 | 0.13 | 550 | MHQ0603P3N2ST000 |
| 3.3 | ± 0.1 nH | 500 | 16 | 500 | 7.0 | 9.6 | 0.25 | 0.15 | 500 | MHQ0603P3N3BT000 |
| 3.3 | ± 0.2 nH | 500 | 16 | 500 | 7.0 | 9.6 | 0.25 | 0.15 | 500 | MHQ0603P3N3CT000 |
| 3.3 | ± 0.3 nH | 500 | 16 | 500 | 7.0 | 9.6 | 0.25 | 0.15 | 500 | MHQ0603P3N3ST000 |
| 3.4 | ± 0.1 nH | 500 | 16 | 500 | 6.5 | 9.3 | 0.25 | 0.14 | 500 | MHQ0603P3N4BT000 |
| 3.4 | ± 0.2 nH | 500 | 16 | 500 | 6.5 | 9.3 | 0.25 | 0.14 | 500 | MHQ0603P3N4CT000 |
| 3.4 | ± 0.3 nH | 500 | 16 | 500 | 6.5 | 9.3 | 0.25 | 0.14 | 500 | MHQ0603P3N4ST000 |
| 3.5 | ± 0.1 nH | 500 | 16 | 500 | 6.5 | 9.5 | 0.25 | 0.17 | 500 | MHQ0603P3N5BT000 |
| 3.5 | ± 0.2 nH | 500 | 16 | 500 | 6.5 | 9.5 | 0.25 | 0.17 | 500 | MHQ0603P3N5CT000 |
| 3.5 | ± 0.3 nH | 500 | 16 | 500 | 6.5 | 9.5 | 0.25 | 0.17 | 500 | MHQ0603P3N5ST000 |
| 3.6 | ± 0.1 nH | 500 | 16 | 500 | 6.5 | 9.1 | 0.25 | 0.16 | 500 | MHQ0603P3N6BT000 |
| 3.6 | ± 0.2 nH | 500 | 16 | 500 | 6.5 | 9.1 | 0.25 | 0.16 | 500 | MHQ0603P3N6CT000 |
| 3.6 | ± 0.3 nH | 500 | 16 | 500 | 6.5 | 9.1 | 0.25 | 0.16 | 500 | MHQ0603P3N6ST000 |

· 短路棒的残留电感值 = 0.48nH

测量设备

| 测量项目 | 型号 | 厂商 |
|--------|--------------|-----------------------|
| L、Q | 4991A+16197A | Keysight Technologies |
| 自我共振频率 | 8720C | Keysight Technologies |
| 直流电阻 | Type-7561 | Yokogawa |

* 有时使用同等测量设备。

MHQ0603P型

■ 特点规格表

| L (nH) | 容差 | L 测定频率 (MHz) | Q min. | Q 测定频率 (MHz) | 自我共振频率 | | 直流电阻 | | 额定电流 (mA)max. | 型号 |
|-----------|--------------|-----------------|-----------|-----------------|-----------|-----------|------------------|------------------|------------------|------------------|
| | | | | | (GHz)min. | (GHz)typ. | (Ω)max. | (Ω)typ. | | |
| 3.7 | ± 0.1 nH | 500 | 16 | 500 | 6.5 | 9.1 | 0.25 | 0.17 | 450 | MHQ0603P3N7BT000 |
| 3.7 | ± 0.2 nH | 500 | 16 | 500 | 6.5 | 9.1 | 0.25 | 0.17 | 450 | MHQ0603P3N7CT000 |
| 3.7 | ± 0.3 nH | 500 | 16 | 500 | 6.5 | 9.1 | 0.25 | 0.17 | 450 | MHQ0603P3N7ST000 |
| 3.8 | ± 0.1 nH | 500 | 16 | 500 | 6.5 | 9.1 | 0.30 | 0.19 | 450 | MHQ0603P3N8BT000 |
| 3.8 | ± 0.2 nH | 500 | 16 | 500 | 6.5 | 9.1 | 0.30 | 0.19 | 450 | MHQ0603P3N8CT000 |
| 3.8 | ± 0.3 nH | 500 | 16 | 500 | 6.5 | 9.1 | 0.30 | 0.19 | 450 | MHQ0603P3N8ST000 |
| 3.9 | ± 0.1 nH | 500 | 16 | 500 | 6.5 | 9.2 | 0.35 | 0.23 | 400 | MHQ0603P3N9BT000 |
| 3.9 | ± 0.2 nH | 500 | 16 | 500 | 6.5 | 9.2 | 0.35 | 0.23 | 400 | MHQ0603P3N9CT000 |
| 3.9 | ± 0.3 nH | 500 | 16 | 500 | 6.5 | 9.2 | 0.35 | 0.23 | 400 | MHQ0603P3N9ST000 |
| 4.0 | ± 0.1 nH | 500 | 16 | 500 | 6.0 | 8.5 | 0.35 | 0.26 | 400 | MHQ0603P4N0BT000 |
| 4.0 | ± 0.2 nH | 500 | 16 | 500 | 6.0 | 8.5 | 0.35 | 0.26 | 400 | MHQ0603P4N0CT000 |
| 4.0 | ± 0.3 nH | 500 | 16 | 500 | 6.0 | 8.5 | 0.35 | 0.26 | 400 | MHQ0603P4N0ST000 |
| 4.1 | ± 0.1 nH | 500 | 16 | 500 | 6.0 | 8.3 | 0.35 | 0.22 | 400 | MHQ0603P4N1BT000 |
| 4.1 | ± 0.2 nH | 500 | 16 | 500 | 6.0 | 8.3 | 0.35 | 0.22 | 400 | MHQ0603P4N1CT000 |
| 4.1 | ± 0.3 nH | 500 | 16 | 500 | 6.0 | 8.3 | 0.35 | 0.22 | 400 | MHQ0603P4N1ST000 |
| 4.2 | ± 0.1 nH | 500 | 16 | 500 | 6.0 | 8.2 | 0.35 | 0.23 | 400 | MHQ0603P4N2BT000 |
| 4.2 | ± 0.2 nH | 500 | 16 | 500 | 6.0 | 8.2 | 0.35 | 0.23 | 400 | MHQ0603P4N2CT000 |
| 4.2 | ± 0.3 nH | 500 | 16 | 500 | 6.0 | 8.2 | 0.35 | 0.23 | 400 | MHQ0603P4N2ST000 |
| 4.3 | ± 0.2 nH | 500 | 16 | 500 | 6.0 | 8.2 | 0.35 | 0.23 | 400 | MHQ0603P4N3CT000 |
| 4.3 | ± 0.3 nH | 500 | 16 | 500 | 6.0 | 8.2 | 0.35 | 0.23 | 400 | MHQ0603P4N3ST000 |
| 4.3 | $\pm 3\%$ | 500 | 16 | 500 | 6.0 | 8.2 | 0.35 | 0.23 | 400 | MHQ0603P4N3HT000 |
| 4.7 | ± 0.2 nH | 500 | 16 | 500 | 5.5 | 7.9 | 0.40 | 0.25 | 350 | MHQ0603P4N7CT000 |
| 4.7 | ± 0.3 nH | 500 | 16 | 500 | 5.5 | 7.9 | 0.40 | 0.25 | 350 | MHQ0603P4N7ST000 |
| 4.7 | $\pm 3\%$ | 500 | 16 | 500 | 5.5 | 7.9 | 0.40 | 0.25 | 350 | MHQ0603P4N7HT000 |
| 5.1 | ± 0.2 nH | 500 | 16 | 500 | 5.5 | 7.8 | 0.40 | 0.24 | 350 | MHQ0603P5N1CT000 |
| 5.1 | ± 0.3 nH | 500 | 16 | 500 | 5.5 | 7.8 | 0.40 | 0.24 | 350 | MHQ0603P5N1ST000 |
| 5.1 | $\pm 3\%$ | 500 | 16 | 500 | 5.5 | 7.8 | 0.40 | 0.24 | 350 | MHQ0603P5N1HT000 |
| 5.6 | ± 0.2 nH | 500 | 16 | 500 | 5.0 | 7.1 | 0.40 | 0.29 | 350 | MHQ0603P5N6CT000 |
| 5.6 | ± 0.3 nH | 500 | 16 | 500 | 5.0 | 7.1 | 0.40 | 0.29 | 350 | MHQ0603P5N6ST000 |
| 5.6 | $\pm 3\%$ | 500 | 16 | 500 | 5.0 | 7.1 | 0.40 | 0.29 | 350 | MHQ0603P5N6HT000 |
| 6.2 | ± 0.3 nH | 500 | 16 | 500 | 4.0 | 6.7 | 0.70 | 0.52 | 300 | MHQ0603P6N2ST000 |
| 6.2 | $\pm 3\%$ | 500 | 16 | 500 | 4.0 | 6.7 | 0.70 | 0.52 | 300 | MHQ0603P6N2HT000 |
| 6.8 | $\pm 3\%$ | 500 | 16 | 500 | 4.0 | 6.8 | 0.70 | 0.53 | 300 | MHQ0603P6N8HT000 |
| 6.8 | $\pm 5\%$ | 500 | 16 | 500 | 4.0 | 6.8 | 0.70 | 0.53 | 300 | MHQ0603P6N8JT000 |
| 7.5 | $\pm 3\%$ | 500 | 16 | 500 | 3.8 | 5.7 | 0.50 | 0.37 | 300 | MHQ0603P7N5HT000 |
| 7.5 | $\pm 5\%$ | 500 | 16 | 500 | 3.8 | 5.7 | 0.50 | 0.37 | 300 | MHQ0603P7N5JT000 |
| 8.2 | $\pm 3\%$ | 500 | 16 | 500 | 3.8 | 5.4 | 0.90 | 0.64 | 250 | MHQ0603P8N2HT000 |
| 8.2 | $\pm 5\%$ | 500 | 16 | 500 | 3.8 | 5.4 | 0.90 | 0.64 | 250 | MHQ0603P8N2JT000 |
| 9.1 | $\pm 3\%$ | 500 | 16 | 500 | 3.8 | 5.5 | 0.90 | 0.62 | 250 | MHQ0603P9N1HT000 |
| 9.1 | $\pm 5\%$ | 500 | 16 | 500 | 3.8 | 5.5 | 0.90 | 0.62 | 250 | MHQ0603P9N1JT000 |
| 10 | $\pm 3\%$ | 500 | 16 | 500 | 3.5 | 5.2 | 1.20 | 0.86 | 240 | MHQ0603P10NHT000 |
| 10 | $\pm 5\%$ | 500 | 16 | 500 | 3.5 | 5.2 | 1.20 | 0.86 | 240 | MHQ0603P10NJT000 |
| 11 | $\pm 3\%$ | 500 | 16 | 500 | 3.2 | 4.6 | 1.30 | 0.89 | 240 | MHQ0603P11NHT000 |
| 11 | $\pm 5\%$ | 500 | 16 | 500 | 3.2 | 4.6 | 1.30 | 0.89 | 240 | MHQ0603P11NJT000 |

· 短路棒的残留电感值 = 0.48nH

测量设备

| 测量项目 | 型号 | 厂商 |
|--------|--------------|-----------------------|
| L、Q | 4991A+16197A | Keysight Technologies |
| 自我共振频率 | 8720C | Keysight Technologies |
| 直流电阻 | Type-7561 | Yokogawa |

* 有时使用同等测量设备。

MHQ0603P型

■ 特点规格表

| L (nH) | 容差 | L 测定频率 (MHz) | Q min. | Q 测定频率 (MHz) | 自我共振频率 | | 直流电阻 | | 额定电流 (mA)max. | 型号 |
|-----------|-----|-----------------|-----------|-----------------|-----------|-----------|------------------|------------------|------------------|----------------------------------|
| | | | | | (GHz)min. | (GHz)typ. | (Ω)max. | (Ω)typ. | | |
| 12 | ±3% | 500 | 16 | 500 | 3.2 | 4.6 | 1.40 | 0.77 | 240 | MHQ0603P12NHT000 |
| 12 | ±5% | 500 | 16 | 500 | 3.2 | 4.6 | 1.40 | 0.77 | 240 | MHQ0603P12NJT000 |
| 13 | ±3% | 500 | 16 | 500 | 3.2 | 4.5 | 1.50 | 1.01 | 180 | MHQ0603P13NHT000 |
| 13 | ±5% | 500 | 16 | 500 | 3.2 | 4.5 | 1.50 | 1.01 | 180 | MHQ0603P13NJT000 |
| 15 | ±3% | 500 | 16 | 500 | 2.8 | 4.2 | 1.50 | 1.05 | 180 | MHQ0603P15NHT000 |
| 15 | ±5% | 500 | 16 | 500 | 2.8 | 4.2 | 1.50 | 1.05 | 180 | MHQ0603P15NJT000 |
| 16 | ±3% | 500 | 16 | 500 | 2.5 | 4.0 | 1.70 | 1.21 | 180 | MHQ0603P16NHT000 |
| 16 | ±5% | 500 | 16 | 500 | 2.5 | 4.0 | 1.70 | 1.21 | 180 | MHQ0603P16NJT000 |
| 18 | ±3% | 500 | 16 | 500 | 2.4 | 3.7 | 1.70 | 1.21 | 180 | MHQ0603P18NHT000 |
| 18 | ±5% | 500 | 16 | 500 | 2.4 | 3.7 | 1.70 | 1.21 | 180 | MHQ0603P18NJT000 |
| 20 | ±3% | 500 | 16 | 500 | 2.4 | 3.5 | 2.00 | 1.38 | 160 | MHQ0603P20NHT000 |
| 20 | ±5% | 500 | 16 | 500 | 2.4 | 3.5 | 2.00 | 1.38 | 160 | MHQ0603P20NJT000 |
| 22 | ±3% | 500 | 16 | 500 | 2.2 | 3.3 | 2.00 | 1.40 | 160 | MHQ0603P22NHT000 |
| 22 | ±5% | 500 | 16 | 500 | 2.2 | 3.3 | 2.00 | 1.40 | 160 | MHQ0603P22NJT000 |
| 24 | ±3% | 500 | 16 | 500 | 2.1 | 3.1 | 2.20 | 1.55 | 160 | MHQ0603P24NHT000 |
| 24 | ±5% | 500 | 16 | 500 | 2.1 | 3.1 | 2.20 | 1.55 | 160 | MHQ0603P24NJT000 |
| 27 | ±3% | 500 | 16 | 500 | 2.0 | 2.9 | 2.20 | 1.55 | 160 | MHQ0603P27NHT000 |
| 27 | ±5% | 500 | 16 | 500 | 2.0 | 2.9 | 2.20 | 1.55 | 160 | MHQ0603P27NJT000 |
| 30 | ±3% | 500 | 16 | 500 | 1.9 | 2.7 | 2.70 | 1.98 | 160 | MHQ0603P30NHT000 |
| 30 | ±5% | 500 | 16 | 500 | 1.9 | 2.7 | 2.70 | 1.98 | 160 | MHQ0603P30NJT000 |
| 33 | ±3% | 300 | 14 | 300 | 1.8 | 2.5 | 2.80 | 2.06 | 160 | MHQ0603P33NHT000 |
| 33 | ±5% | 300 | 14 | 300 | 1.8 | 2.5 | 2.80 | 2.06 | 160 | MHQ0603P33NJT000 |
| 36 | ±3% | 300 | 14 | 300 | 1.7 | 2.4 | 2.80 | 2.08 | 160 | MHQ0603P36NHT000 |
| 36 | ±5% | 300 | 14 | 300 | 1.7 | 2.4 | 2.80 | 2.08 | 160 | MHQ0603P36NJT000 |
| 39 | ±3% | 300 | 14 | 300 | 1.6 | 2.3 | 3.00 | 2.24 | 160 | MHQ0603P39NHT000 |
| 39 | ±5% | 300 | 14 | 300 | 1.6 | 2.3 | 3.00 | 2.24 | 160 | MHQ0603P39NJT000 |

· 短路棒的残留电感值 =0.48nH

测量设备

| 测量项目 | 型号 | 厂商 |
|--------|--------------|-----------------------|
| L、Q | 4991A+16197A | Keysight Technologies |
| 自我共振频率 | 8720C | Keysight Technologies |
| 直流电阻 | Type-7561 | Yokogawa |

* 有时使用同等测量设备。

MHQ0603P型

■ L、Q 频率特性表

| L(nH)typ. | | | | | Q typ. | | | | | 型号 |
|-----------|--------|--------|--------|--------|--------|--------|--------|--------|--------|----------------------------------|
| 500MHz | 800MHz | 1.8GHz | 2.0GHz | 2.4GHz | 500MHz | 800MHz | 1.8GHz | 2.0GHz | 2.4GHz | |
| 0.6 | 0.6 | 0.6 | 0.6 | 0.6 | 29min. | 38min. | 58min. | 60min. | 66min. | MHQ0603P0N6BT000 |
| 0.6 | 0.6 | 0.6 | 0.6 | 0.6 | 29min. | 38min. | 58min. | 60min. | 66min. | MHQ0603P0N6CT000 |
| 0.7 | 0.7 | 0.7 | 0.7 | 0.7 | 29min. | 38min. | 58min. | 60min. | 66min. | MHQ0603P0N7BT000 |
| 0.7 | 0.7 | 0.7 | 0.7 | 0.7 | 29min. | 38min. | 58min. | 60min. | 66min. | MHQ0603P0N7CT000 |
| 0.8 | 0.8 | 0.8 | 0.8 | 0.8 | 29min. | 38min. | 58min. | 60min. | 66min. | MHQ0603P0N8BT000 |
| 0.8 | 0.8 | 0.8 | 0.8 | 0.8 | 29min. | 38min. | 58min. | 60min. | 66min. | MHQ0603P0N8CT000 |
| 0.9 | 0.9 | 0.9 | 0.9 | 0.9 | 29min. | 38min. | 58min. | 60min. | 66min. | MHQ0603P0N9BT000 |
| 0.9 | 0.9 | 0.9 | 0.9 | 0.9 | 29min. | 38min. | 58min. | 60min. | 66min. | MHQ0603P0N9CT000 |
| 1.0 | 1.0 | 1.0 | 1.0 | 1.0 | 29min. | 38min. | 58min. | 60min. | 66min. | MHQ0603P1N0BT000 |
| 1.0 | 1.0 | 1.0 | 1.0 | 1.0 | 29min. | 38min. | 58min. | 60min. | 66min. | MHQ0603P1N0CT000 |
| 1.0 | 1.0 | 1.0 | 1.0 | 1.0 | 29min. | 38min. | 58min. | 60min. | 66min. | MHQ0603P1N0ST000 |
| 1.1 | 1.1 | 1.1 | 1.1 | 1.1 | 29min. | 38min. | 58min. | 60min. | 66min. | MHQ0603P1N1BT000 |
| 1.1 | 1.1 | 1.1 | 1.1 | 1.1 | 29min. | 38min. | 58min. | 60min. | 66min. | MHQ0603P1N1CT000 |
| 1.1 | 1.1 | 1.1 | 1.1 | 1.1 | 29min. | 38min. | 58min. | 60min. | 66min. | MHQ0603P1N1ST000 |
| 1.2 | 1.2 | 1.2 | 1.2 | 1.2 | 29min. | 38min. | 58min. | 60min. | 66min. | MHQ0603P1N2BT000 |
| 1.2 | 1.2 | 1.2 | 1.2 | 1.2 | 29min. | 38min. | 58min. | 60min. | 66min. | MHQ0603P1N2CT000 |
| 1.2 | 1.2 | 1.2 | 1.2 | 1.2 | 29min. | 38min. | 58min. | 60min. | 66min. | MHQ0603P1N2ST000 |
| 1.3 | 1.3 | 1.3 | 1.3 | 1.3 | 29min. | 38min. | 58min. | 60min. | 66min. | MHQ0603P1N3BT000 |
| 1.3 | 1.3 | 1.3 | 1.3 | 1.3 | 29min. | 38min. | 58min. | 60min. | 66min. | MHQ0603P1N3CT000 |
| 1.3 | 1.3 | 1.3 | 1.3 | 1.3 | 29min. | 38min. | 58min. | 60min. | 66min. | MHQ0603P1N3ST000 |
| 1.4 | 1.4 | 1.4 | 1.4 | 1.4 | 29min. | 38min. | 58min. | 60min. | 66min. | MHQ0603P1N4BT000 |
| 1.4 | 1.4 | 1.4 | 1.4 | 1.4 | 29min. | 38min. | 58min. | 60min. | 66min. | MHQ0603P1N4CT000 |
| 1.4 | 1.4 | 1.4 | 1.4 | 1.4 | 29min. | 38min. | 58min. | 60min. | 66min. | MHQ0603P1N4ST000 |
| 1.5 | 1.5 | 1.5 | 1.5 | 1.5 | 29 | 38 | 58 | 60 | 66 | MHQ0603P1N5BT000 |
| 1.5 | 1.5 | 1.5 | 1.5 | 1.5 | 29 | 38 | 58 | 60 | 66 | MHQ0603P1N5CT000 |
| 1.5 | 1.5 | 1.5 | 1.5 | 1.5 | 29 | 38 | 58 | 60 | 66 | MHQ0603P1N5ST000 |
| 1.6 | 1.6 | 1.6 | 1.6 | 1.6 | 28 | 37 | 56 | 60 | 66 | MHQ0603P1N6BT000 |
| 1.6 | 1.6 | 1.6 | 1.6 | 1.6 | 28 | 37 | 56 | 60 | 66 | MHQ0603P1N6CT000 |
| 1.6 | 1.6 | 1.6 | 1.6 | 1.6 | 28 | 37 | 56 | 60 | 66 | MHQ0603P1N6ST000 |
| 1.7 | 1.7 | 1.7 | 1.7 | 1.7 | 30 | 39 | 62 | 65 | 71 | MHQ0603P1N7BT000 |
| 1.7 | 1.7 | 1.7 | 1.7 | 1.7 | 30 | 39 | 62 | 65 | 71 | MHQ0603P1N7CT000 |
| 1.7 | 1.7 | 1.7 | 1.7 | 1.7 | 30 | 39 | 62 | 65 | 71 | MHQ0603P1N7ST000 |
| 1.8 | 1.8 | 1.8 | 1.8 | 1.8 | 29 | 38 | 59 | 62 | 69 | MHQ0603P1N8BT000 |
| 1.8 | 1.8 | 1.8 | 1.8 | 1.8 | 29 | 38 | 59 | 62 | 69 | MHQ0603P1N8CT000 |
| 1.8 | 1.8 | 1.8 | 1.8 | 1.8 | 29 | 38 | 59 | 62 | 69 | MHQ0603P1N8ST000 |
| 1.9 | 1.9 | 1.9 | 1.9 | 1.9 | 28 | 38 | 57 | 60 | 66 | MHQ0603P1N9BT000 |
| 1.9 | 1.9 | 1.9 | 1.9 | 1.9 | 28 | 38 | 57 | 60 | 66 | MHQ0603P1N9CT000 |
| 1.9 | 1.9 | 1.9 | 1.9 | 1.9 | 28 | 38 | 57 | 60 | 66 | MHQ0603P1N9ST000 |
| 2.0 | 2.0 | 2.0 | 2.0 | 2.0 | 27 | 35 | 55 | 58 | 64 | MHQ0603P2N0BT000 |
| 2.0 | 2.0 | 2.0 | 2.0 | 2.0 | 27 | 35 | 55 | 58 | 64 | MHQ0603P2N0CT000 |
| 2.0 | 2.0 | 2.0 | 2.0 | 2.0 | 27 | 35 | 55 | 58 | 64 | MHQ0603P2N0ST000 |
| 2.1 | 2.1 | 2.1 | 2.1 | 2.2 | 29 | 37 | 58 | 62 | 68 | MHQ0603P2N1BT000 |
| 2.1 | 2.1 | 2.1 | 2.1 | 2.2 | 29 | 37 | 58 | 62 | 68 | MHQ0603P2N1CT000 |
| 2.1 | 2.1 | 2.1 | 2.1 | 2.2 | 29 | 37 | 58 | 62 | 68 | MHQ0603P2N1ST000 |

测量设备

| 型号 | 厂商 |
|--------------|-----------------------|
| 4291B+16193A | Keysight Technologies |

* 有时使用同等测量设备。

MHQ0603P型

■ L、Q 频率特性表

| L(nH)typ. | | | | | Q typ. | | | | | 型号 |
|-----------|--------|--------|--------|--------|--------|--------|--------|--------|--------|----------------------------------|
| 500MHz | 800MHz | 1.8GHz | 2.0GHz | 2.4GHz | 500MHz | 800MHz | 1.8GHz | 2.0GHz | 2.4GHz | |
| 2.2 | 2.2 | 2.2 | 2.2 | 2.3 | 28 | 37 | 57 | 61 | 68 | MHQ0603P2N2BT000 |
| 2.2 | 2.2 | 2.2 | 2.2 | 2.3 | 28 | 37 | 57 | 61 | 68 | MHQ0603P2N2CT000 |
| 2.2 | 2.2 | 2.2 | 2.2 | 2.3 | 28 | 37 | 57 | 61 | 68 | MHQ0603P2N2ST000 |
| 2.3 | 2.3 | 2.3 | 2.3 | 2.4 | 31 | 40 | 61 | 64 | 71 | MHQ0603P2N3BT000 |
| 2.3 | 2.3 | 2.3 | 2.3 | 2.4 | 31 | 40 | 61 | 64 | 71 | MHQ0603P2N3CT000 |
| 2.3 | 2.3 | 2.3 | 2.3 | 2.4 | 31 | 40 | 61 | 64 | 71 | MHQ0603P2N3ST000 |
| 2.4 | 2.4 | 2.4 | 2.4 | 2.5 | 31 | 41 | 62 | 64 | 71 | MHQ0603P2N4BT000 |
| 2.4 | 2.4 | 2.4 | 2.4 | 2.5 | 31 | 41 | 62 | 64 | 71 | MHQ0603P2N4CT000 |
| 2.4 | 2.4 | 2.4 | 2.4 | 2.5 | 31 | 41 | 62 | 64 | 71 | MHQ0603P2N4ST000 |
| 2.5 | 2.5 | 2.5 | 2.6 | 2.6 | 25 | 32 | 51 | 53 | 59 | MHQ0603P2N5BT000 |
| 2.5 | 2.5 | 2.5 | 2.6 | 2.6 | 25 | 32 | 51 | 53 | 59 | MHQ0603P2N5CT000 |
| 2.5 | 2.5 | 2.5 | 2.6 | 2.6 | 25 | 32 | 51 | 53 | 59 | MHQ0603P2N5ST000 |
| 2.6 | 2.6 | 2.6 | 2.7 | 2.7 | 26 | 34 | 54 | 56 | 62 | MHQ0603P2N6BT000 |
| 2.6 | 2.6 | 2.6 | 2.7 | 2.7 | 26 | 34 | 54 | 56 | 62 | MHQ0603P2N6CT000 |
| 2.6 | 2.6 | 2.6 | 2.7 | 2.7 | 26 | 34 | 54 | 56 | 62 | MHQ0603P2N6ST000 |
| 2.7 | 2.7 | 2.7 | 2.8 | 2.8 | 26 | 34 | 54 | 57 | 63 | MHQ0603P2N7BT000 |
| 2.7 | 2.7 | 2.7 | 2.8 | 2.8 | 26 | 34 | 54 | 57 | 63 | MHQ0603P2N7CT000 |
| 2.7 | 2.7 | 2.7 | 2.8 | 2.8 | 26 | 34 | 54 | 57 | 63 | MHQ0603P2N7ST000 |
| 2.8 | 2.8 | 2.8 | 2.9 | 2.9 | 26 | 35 | 54 | 55 | 62 | MHQ0603P2N8BT000 |
| 2.8 | 2.8 | 2.8 | 2.9 | 2.9 | 26 | 35 | 54 | 55 | 62 | MHQ0603P2N8CT000 |
| 2.8 | 2.8 | 2.8 | 2.9 | 2.9 | 26 | 35 | 54 | 55 | 62 | MHQ0603P2N8ST000 |
| 2.9 | 2.9 | 2.9 | 3.0 | 3.0 | 24 | 31 | 48 | 51 | 56 | MHQ0603P2N9BT000 |
| 2.9 | 2.9 | 2.9 | 3.0 | 3.0 | 24 | 31 | 48 | 51 | 56 | MHQ0603P2N9CT000 |
| 2.9 | 2.9 | 2.9 | 3.0 | 3.0 | 24 | 31 | 48 | 51 | 56 | MHQ0603P2N9ST000 |
| 3.0 | 3.0 | 3.0 | 3.1 | 3.1 | 23 | 30 | 46 | 48 | 52 | MHQ0603P3N0BT000 |
| 3.0 | 3.0 | 3.0 | 3.1 | 3.1 | 23 | 30 | 46 | 48 | 52 | MHQ0603P3N0CT000 |
| 3.0 | 3.0 | 3.0 | 3.1 | 3.1 | 23 | 30 | 46 | 48 | 52 | MHQ0603P3N0ST000 |
| 3.1 | 3.1 | 3.2 | 3.2 | 3.2 | 24 | 32 | 49 | 51 | 57 | MHQ0603P3N1BT000 |
| 3.1 | 3.1 | 3.2 | 3.2 | 3.2 | 24 | 32 | 49 | 51 | 57 | MHQ0603P3N1CT000 |
| 3.1 | 3.1 | 3.2 | 3.2 | 3.2 | 24 | 32 | 49 | 51 | 57 | MHQ0603P3N1ST000 |
| 3.2 | 3.2 | 3.3 | 3.3 | 3.4 | 27 | 35 | 53 | 55 | 61 | MHQ0603P3N2BT000 |
| 3.2 | 3.2 | 3.3 | 3.3 | 3.4 | 27 | 35 | 53 | 55 | 61 | MHQ0603P3N2CT000 |
| 3.2 | 3.2 | 3.3 | 3.3 | 3.4 | 27 | 35 | 53 | 55 | 61 | MHQ0603P3N2ST000 |
| 3.3 | 3.3 | 3.4 | 3.4 | 3.5 | 25 | 32 | 48 | 50 | 54 | MHQ0603P3N3BT000 |
| 3.3 | 3.3 | 3.4 | 3.4 | 3.5 | 25 | 32 | 48 | 50 | 54 | MHQ0603P3N3CT000 |
| 3.3 | 3.3 | 3.4 | 3.4 | 3.5 | 25 | 32 | 48 | 50 | 54 | MHQ0603P3N3ST000 |
| 3.4 | 3.4 | 3.5 | 3.5 | 3.6 | 27 | 35 | 53 | 55 | 61 | MHQ0603P3N4BT000 |
| 3.4 | 3.4 | 3.5 | 3.5 | 3.6 | 27 | 35 | 53 | 55 | 61 | MHQ0603P3N4CT000 |
| 3.4 | 3.4 | 3.5 | 3.5 | 3.6 | 27 | 35 | 53 | 55 | 61 | MHQ0603P3N4ST000 |
| 3.5 | 3.5 | 3.6 | 3.6 | 3.7 | 25 | 33 | 50 | 52 | 57 | MHQ0603P3N5BT000 |
| 3.5 | 3.5 | 3.6 | 3.6 | 3.7 | 25 | 33 | 50 | 52 | 57 | MHQ0603P3N5CT000 |
| 3.5 | 3.5 | 3.6 | 3.6 | 3.7 | 25 | 33 | 50 | 52 | 57 | MHQ0603P3N5ST000 |
| 3.6 | 3.6 | 3.7 | 3.7 | 3.8 | 26 | 33 | 50 | 52 | 57 | MHQ0603P3N6BT000 |
| 3.6 | 3.6 | 3.7 | 3.7 | 3.8 | 26 | 33 | 50 | 52 | 57 | MHQ0603P3N6CT000 |
| 3.6 | 3.6 | 3.7 | 3.7 | 3.8 | 26 | 33 | 50 | 52 | 57 | MHQ0603P3N6ST000 |

测量设备

| 型号 | 厂商 |
|--------------|-----------------------|
| 4291B+16193A | Keysight Technologies |

* 有时使用同等测量设备。

MHQ0603P型

■ L、Q 频率特性表

| L(nH)typ. | | | | | Q typ. | | | | | 型号 |
|-----------|--------|--------|--------|--------|--------|--------|--------|--------|--------|----------------------------------|
| 500MHz | 800MHz | 1.8GHz | 2.0GHz | 2.4GHz | 500MHz | 800MHz | 1.8GHz | 2.0GHz | 2.4GHz | |
| 3.7 | 3.7 | 3.8 | 3.8 | 3.9 | 26 | 34 | 51 | 52 | 58 | MHQ0603P3N7BT000 |
| 3.7 | 3.7 | 3.8 | 3.8 | 3.9 | 26 | 34 | 51 | 52 | 58 | MHQ0603P3N7CT000 |
| 3.7 | 3.7 | 3.8 | 3.8 | 3.9 | 26 | 34 | 51 | 52 | 58 | MHQ0603P3N7ST000 |
| 3.8 | 3.8 | 3.9 | 3.9 | 4.0 | 24 | 32 | 49 | 51 | 56 | MHQ0603P3N8BT000 |
| 3.8 | 3.8 | 3.9 | 3.9 | 4.0 | 24 | 32 | 49 | 51 | 56 | MHQ0603P3N8CT000 |
| 3.8 | 3.8 | 3.9 | 3.9 | 4.0 | 24 | 32 | 49 | 51 | 56 | MHQ0603P3N8ST000 |
| 3.9 | 3.9 | 4.0 | 4.1 | 4.2 | 23 | 30 | 47 | 49 | 54 | MHQ0603P3N9BT000 |
| 3.9 | 3.9 | 4.0 | 4.1 | 4.2 | 23 | 30 | 47 | 49 | 54 | MHQ0603P3N9CT000 |
| 3.9 | 3.9 | 4.0 | 4.1 | 4.2 | 23 | 30 | 47 | 49 | 54 | MHQ0603P3N9ST000 |
| 4.0 | 4.0 | 4.1 | 4.2 | 4.3 | 26 | 34 | 52 | 53 | 59 | MHQ0603P4N0BT000 |
| 4.0 | 4.0 | 4.1 | 4.2 | 4.3 | 26 | 34 | 52 | 53 | 59 | MHQ0603P4N0CT000 |
| 4.0 | 4.0 | 4.1 | 4.2 | 4.3 | 26 | 34 | 52 | 53 | 59 | MHQ0603P4N0ST000 |
| 4.1 | 4.1 | 4.2 | 4.3 | 4.4 | 23 | 30 | 46 | 48 | 52 | MHQ0603P4N1BT000 |
| 4.1 | 4.1 | 4.2 | 4.3 | 4.4 | 23 | 30 | 46 | 48 | 52 | MHQ0603P4N1CT000 |
| 4.1 | 4.1 | 4.2 | 4.3 | 4.4 | 23 | 30 | 46 | 48 | 52 | MHQ0603P4N1ST000 |
| 4.2 | 4.2 | 4.3 | 4.4 | 4.5 | 24 | 31 | 46 | 48 | 52 | MHQ0603P4N2BT000 |
| 4.2 | 4.2 | 4.3 | 4.4 | 4.5 | 24 | 31 | 46 | 48 | 52 | MHQ0603P4N2CT000 |
| 4.2 | 4.2 | 4.3 | 4.4 | 4.5 | 24 | 31 | 46 | 48 | 52 | MHQ0603P4N2ST000 |
| 4.3 | 4.3 | 4.4 | 4.5 | 4.6 | 25 | 33 | 49 | 51 | 56 | MHQ0603P4N3CT000 |
| 4.3 | 4.3 | 4.4 | 4.5 | 4.6 | 25 | 33 | 49 | 51 | 56 | MHQ0603P4N3ST000 |
| 4.3 | 4.3 | 4.4 | 4.5 | 4.6 | 25 | 33 | 49 | 51 | 56 | MHQ0603P4N3HT000 |
| 4.7 | 4.7 | 4.9 | 4.9 | 5.1 | 24 | 31 | 47 | 49 | 54 | MHQ0603P4N7CT000 |
| 4.7 | 4.7 | 4.9 | 4.9 | 5.1 | 24 | 31 | 47 | 49 | 54 | MHQ0603P4N7ST000 |
| 4.7 | 4.7 | 4.9 | 4.9 | 5.1 | 24 | 31 | 47 | 49 | 54 | MHQ0603P4N7HT000 |
| 5.1 | 5.1 | 5.3 | 5.4 | 5.5 | 25 | 32 | 49 | 51 | 56 | MHQ0603P5N1CT000 |
| 5.1 | 5.1 | 5.3 | 5.4 | 5.5 | 25 | 32 | 49 | 51 | 56 | MHQ0603P5N1ST000 |
| 5.1 | 5.1 | 5.3 | 5.4 | 5.5 | 25 | 32 | 49 | 51 | 56 | MHQ0603P5N1HT000 |
| 5.6 | 5.6 | 5.9 | 6.0 | 6.2 | 24 | 31 | 46 | 48 | 52 | MHQ0603P5N6CT000 |
| 5.6 | 5.6 | 5.9 | 6.0 | 6.2 | 24 | 31 | 46 | 48 | 52 | MHQ0603P5N6ST000 |
| 5.6 | 5.6 | 5.9 | 6.0 | 6.2 | 24 | 31 | 46 | 48 | 52 | MHQ0603P5N6HT000 |
| 6.2 | 6.2 | 6.6 | 6.7 | 7.0 | 21 | 28 | 42 | 43 | 47 | MHQ0603P6N2ST000 |
| 6.2 | 6.2 | 6.6 | 6.7 | 7.0 | 21 | 28 | 42 | 43 | 47 | MHQ0603P6N2HT000 |
| 6.8 | 6.8 | 7.2 | 7.4 | 7.7 | 22 | 28 | 43 | 44 | 48 | MHQ0603P6N8HT000 |
| 6.8 | 6.8 | 7.2 | 7.4 | 7.7 | 22 | 28 | 43 | 44 | 48 | MHQ0603P6N8JT000 |
| 7.5 | 7.5 | 8.1 | 8.3 | 8.8 | 24 | 30 | 44 | 45 | 48 | MHQ0603P7N5HT000 |
| 7.5 | 7.5 | 8.1 | 8.3 | 8.8 | 24 | 30 | 44 | 45 | 48 | MHQ0603P7N5JT000 |
| 8.2 | 8.2 | 8.9 | 9.2 | 9.7 | 21 | 27 | 39 | 40 | 42 | MHQ0603P8N2HT000 |
| 8.2 | 8.2 | 8.9 | 9.2 | 9.7 | 21 | 27 | 39 | 40 | 42 | MHQ0603P8N2JT000 |
| 9.1 | 9.2 | 9.9 | 10.2 | 10.9 | 23 | 29 | 42 | 44 | 46 | MHQ0603P9N1HT000 |
| 9.1 | 9.2 | 9.9 | 10.2 | 10.9 | 23 | 29 | 42 | 44 | 46 | MHQ0603P9N1JT000 |
| 10.0 | 10.0 | 11.0 | 11.0 | 12.0 | 22 | 28 | 41 | 42 | 43 | MHQ0603P10NHT000 |
| 10.0 | 10.0 | 11.0 | 11.0 | 12.0 | 22 | 28 | 41 | 42 | 43 | MHQ0603P10NJT000 |
| 11.0 | 11.0 | 12.0 | 13.0 | 14.0 | 21 | 27 | 37 | 38 | 39 | MHQ0603P11NHT000 |
| 11.0 | 11.0 | 12.0 | 13.0 | 14.0 | 21 | 27 | 37 | 38 | 39 | MHQ0603P11NJT000 |

测量设备

| 型号 | 厂商 |
|--------------|-----------------------|
| 4291B+16193A | Keysight Technologies |

* 有时使用同等测量设备。

MHQ0603P型

■ L、Q 频率特性表

| L(nH)typ. | | | | | Q typ. | | | | | 型号 |
|-----------|--------|--------|--------|--------|--------|--------|--------|--------|--------|----------------------------------|
| 500MHz | 800MHz | 1.8GHz | 2.0GHz | 2.4GHz | 500MHz | 800MHz | 1.8GHz | 2.0GHz | 2.4GHz | |
| 12.0 | 12.0 | 14.0 | 14.0 | 16.0 | 23 | 29 | 41 | 41 | 41 | MHQ0603P12NHT000 |
| 12.0 | 12.0 | 14.0 | 14.0 | 16.0 | 23 | 29 | 41 | 41 | 41 | MHQ0603P12NJT000 |
| 13.0 | 13.0 | 15.0 | 16.0 | 18.0 | 21 | 27 | 36 | 36 | 36 | MHQ0603P13NHT000 |
| 13.0 | 13.0 | 15.0 | 16.0 | 18.0 | 21 | 27 | 36 | 36 | 36 | MHQ0603P13NJT000 |
| 15.0 | 15.0 | 18.0 | 19.0 | 21.0 | 23 | 29 | 37 | 37 | 36 | MHQ0603P15NHT000 |
| 15.0 | 15.0 | 18.0 | 19.0 | 21.0 | 23 | 29 | 37 | 37 | 36 | MHQ0603P15NJT000 |
| 16.0 | 16.0 | 19.0 | 20.0 | 23.0 | 22 | 28 | 37 | 37 | 35 | MHQ0603P16NHT000 |
| 16.0 | 16.0 | 19.0 | 20.0 | 23.0 | 22 | 28 | 37 | 37 | 35 | MHQ0603P16NJT000 |
| 18.0 | 18.0 | 22.0 | 24.0 | 28.0 | 23 | 28 | 36 | 35 | 33 | MHQ0603P18NHT000 |
| 18.0 | 18.0 | 22.0 | 24.0 | 28.0 | 23 | 28 | 36 | 35 | 33 | MHQ0603P18NJT000 |
| 20.0 | 21.0 | 26.0 | 28.0 | 34.0 | 22 | 27 | 33 | 32 | 27 | MHQ0603P20NHT000 |
| 20.0 | 21.0 | 26.0 | 28.0 | 34.0 | 22 | 27 | 33 | 32 | 27 | MHQ0603P20NJT000 |
| 22.0 | 23.0 | 29.0 | 32.0 | 40.0 | 23 | 29 | 34 | 33 | 28 | MHQ0603P22NHT000 |
| 22.0 | 23.0 | 29.0 | 32.0 | 40.0 | 23 | 29 | 34 | 33 | 28 | MHQ0603P22NJT000 |
| 24.0 | 25.0 | 34.0 | 38.0 | — | 22 | 26 | 29 | 27 | — | MHQ0603P24NHT000 |
| 24.0 | 25.0 | 34.0 | 38.0 | — | 22 | 26 | 29 | 27 | — | MHQ0603P24NJT000 |
| 27.0 | 28.0 | 38.0 | 44.0 | — | 23 | 28 | 30 | 28 | — | MHQ0603P27NHT000 |
| 27.0 | 28.0 | 38.0 | 44.0 | — | 23 | 28 | 30 | 28 | — | MHQ0603P27NJT000 |
| 30.0 | 32.0 | 47.0 | — | — | 22 | 27 | — | — | — | MHQ0603P30NHT000 |
| 30.0 | 32.0 | 47.0 | — | — | 22 | 27 | — | — | — | MHQ0603P30NJT000 |
| 33.0 | 35.0 | 55.0 | — | — | 22 | 27 | — | — | — | MHQ0603P33NHT000 |
| 33.0 | 35.0 | 55.0 | — | — | 22 | 27 | — | — | — | MHQ0603P33NJT000 |
| 36.0 | 38.0 | 67.0 | — | — | 22 | 26 | — | — | — | MHQ0603P36NHT000 |
| 36.0 | 38.0 | 67.0 | — | — | 22 | 26 | — | — | — | MHQ0603P36NJT000 |
| 39.0 | 42.0 | 79.0 | — | — | 23 | 26 | — | — | — | MHQ0603P39NHT000 |
| 39.0 | 42.0 | 79.0 | — | — | 23 | 26 | — | — | — | MHQ0603P39NJT000 |

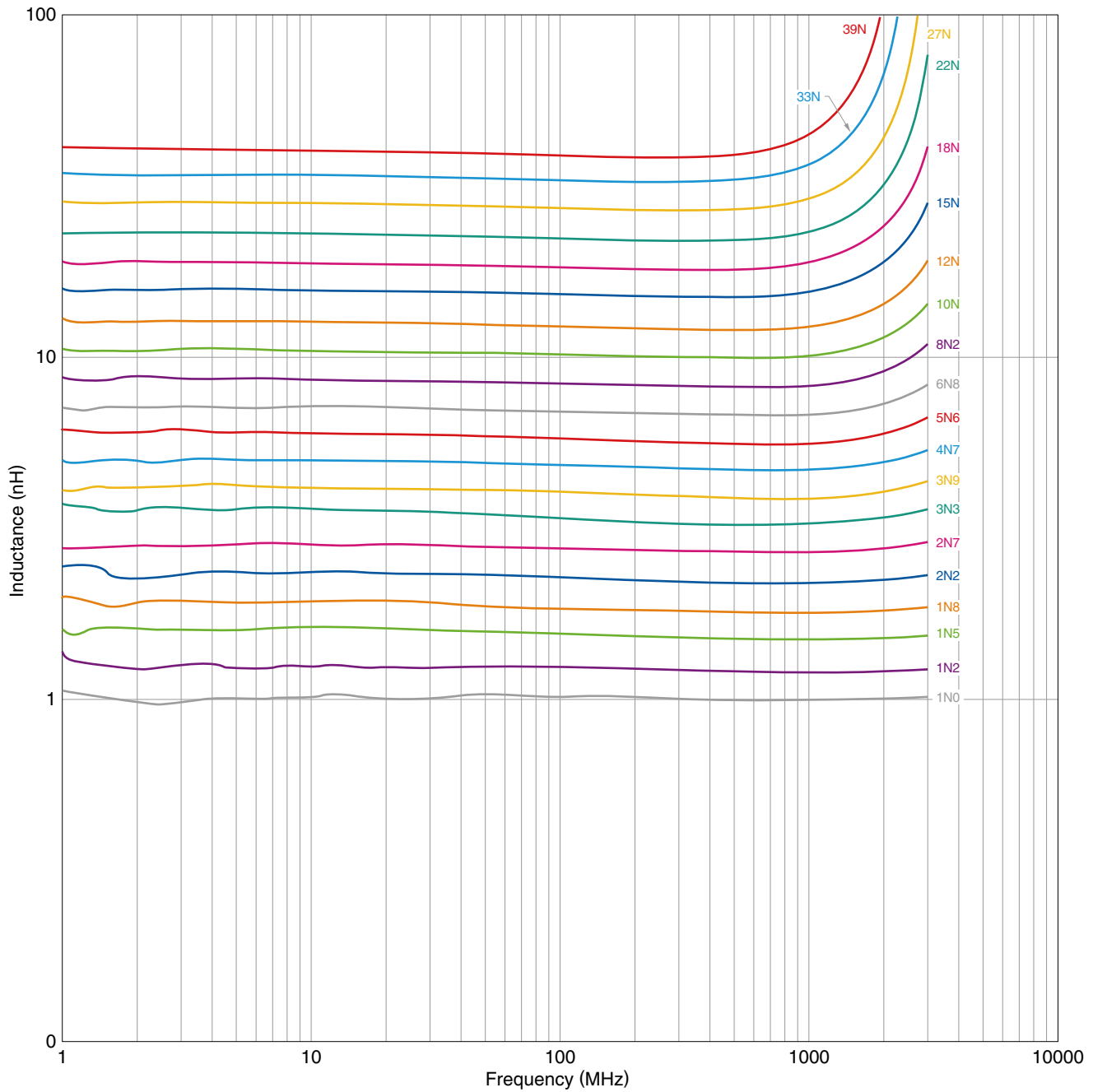
测量设备

| 型号 | 厂商 |
|--------------|-----------------------|
| 4291B+16193A | Keysight Technologies |

* 有时使用同等测量设备。

MHQ0603P型

■ L 频率特性 (例)



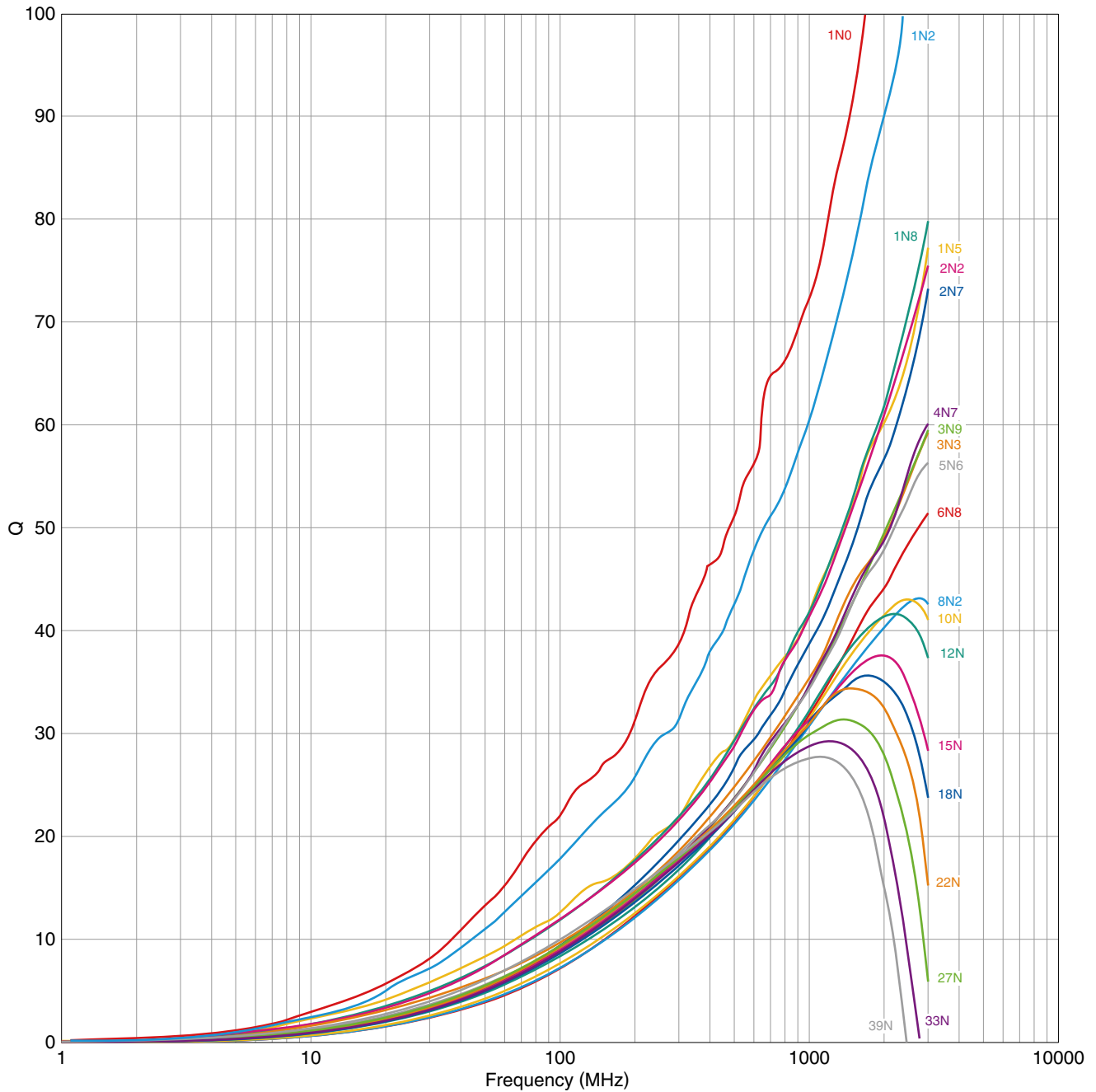
测量设备

| 型号 | 厂商 |
|--------------|-----------------------|
| E4991+16193A | Keysight Technologies |

* 有时使用同等测量设备。

MHQ0603P型

■ Q频率特性 (例)



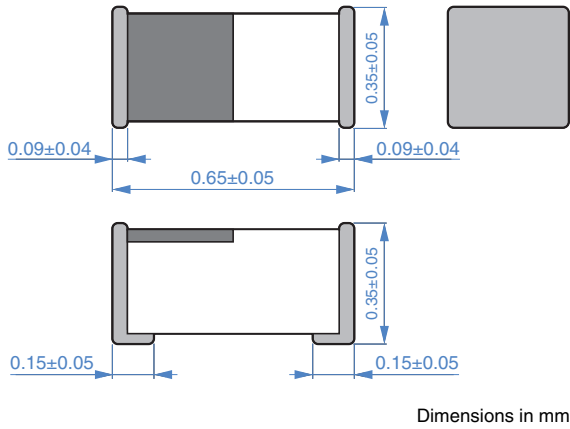
测量设备

| 型号 | 厂商 |
|--------------|-----------------------|
| E4991+16193A | Keysight Technologies |

* 有时使用同等测量设备。

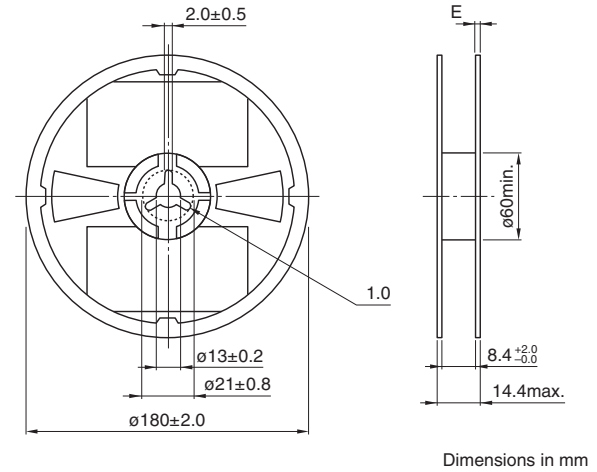
MHQ0603P型

形状与尺寸

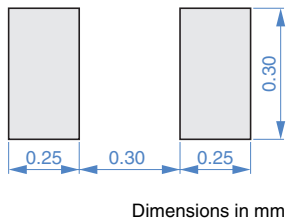


包装形式

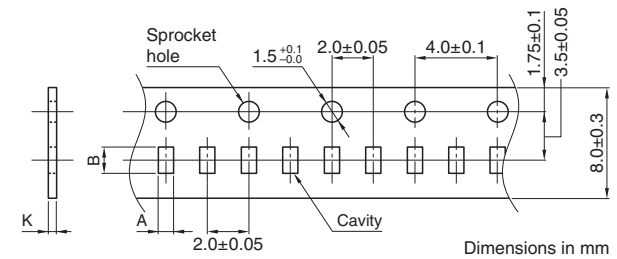
卷筒尺寸



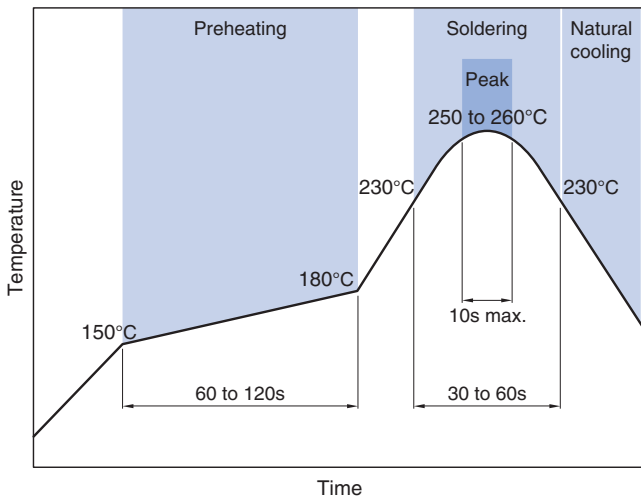
推荐焊盘布局



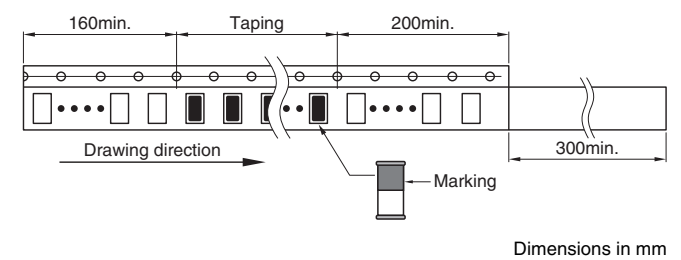
编带尺寸



推荐回流焊温度曲线图



| 类型 | A | B | K |
|----------|-----------|-----------|-----------|
| MHQ0603P | 0.44±0.05 | 0.74±0.05 | 0.60 max. |



包装数量

| | |
|------|----------------|
| 包装数量 | 15000 pcs/reel |
|------|----------------|

温度范围、单个重量

| 工作温度范围 | 保存温度范围* | 单个重量 |
|----------------|----------------|--------|
| -55 to +125 °C | -55 to +125 °C | 0.2 mg |

* 保存温度范围以固定基板后为准。

使用注意事项

在使用本产品前，请务必随附采购规格书。

安全注意事项

使用本产品时，请注意安全事项。

⚠ 注意

- 保存时间为 12 个月以内，保存条件（温度 5 ~ 40°C、湿度 10 ~ 75%RH 以下），需充分注意。
若超过保存时间，端子电极的可焊性将可能老化。
- 请勿在气体腐蚀环境（盐、酸、碱等）下使用和保管。
- 在实施焊接前，请务必进行预热。
预热温度与焊接温度及芯片温度的温度差要在 150°C 以内。
- 安装后的焊接修正应在规格书规定的条件范围内。
若加热过度可能导致短路、性能降低、寿命减少。
- 将安装了芯片的印刷电路组装到装置时，请注意不要因印刷电路整体变形或紧固部等局部变形而给芯片施加剩余应力。
- 装置会因通电而自我发热（温度上升），因此在热设计方面需留有充分余地。
- 非磁屏蔽型在基板设计时需注意配置线圈。
受到电磁干扰可能会导致误动作。
- 由于人体所带的静电会传到接地线上，因此请使用防静电腕带。
- 请勿将本产品靠近磁铁或带有磁力的物体。
- 请在采购规格书规定的范围内使用。
- 本产品目录中记载的产品是指在通用标准用途意义上使用于一般电子设备（AV 设备，通信设备，家电产品，娱乐设备，计算机设备，个人设备，办公设备，计测设备，工业机器人），并且该一般电子设备要在通常的操作和使用方法下使用。
对于需要高度安全性和可靠性的，或者设备的故障，误动作，运转不良可能会给人的生命，身体及财产等造成损害，以及有可能产生莫大社会影响的以下用途（以下称‘特定用途’）中的适用性，性能发挥，品质，本公司不予保证。
客户预定在本产品目录的范围，条件之外，或者在特定用途中使用，请事先咨询本公司相关部门。本公司会配合客户需求，一起协商不同于本产品目录中所记载的使用用途。
 - (1) 航空，航天设备
 - (2) 运输设备（汽车，电车，船舶等）
 - (3) 医疗设备
 - (4) 发电控制设备
 - (5) 核动力相关设备
 - (6) 海底设备
 - (7) 交通工具控制设备
 - (8) 公共性的高度信息处理设备
 - (9) 军用设备
 - (10) 电热用品，燃烧设备
 - (11) 防灾防盗设备
 - (12) 各种安全装置
 - (13) 其他被认定为特定用途的用途

此外，对使用本产品目录中所记载产品的设备进行设计时，请确保符合该设备的使用用途及状态的保护回路和装置，并设置备用回路等。