

Unit: mm

Recommended hole size

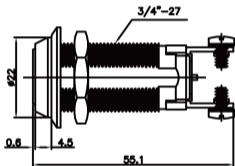
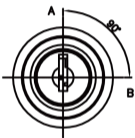




Fig.1

Fig No	Lock Number	Pole	Positions	Terminals	Key Pulls	Turn			Type
1	S213M	1	2	2	1	90°	Off	(On)	SPST

() : Momentary Contact

Unit: mm

Recommended hole size

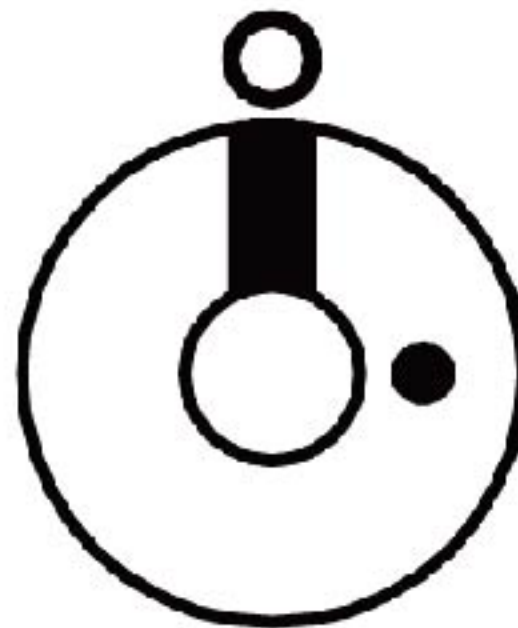
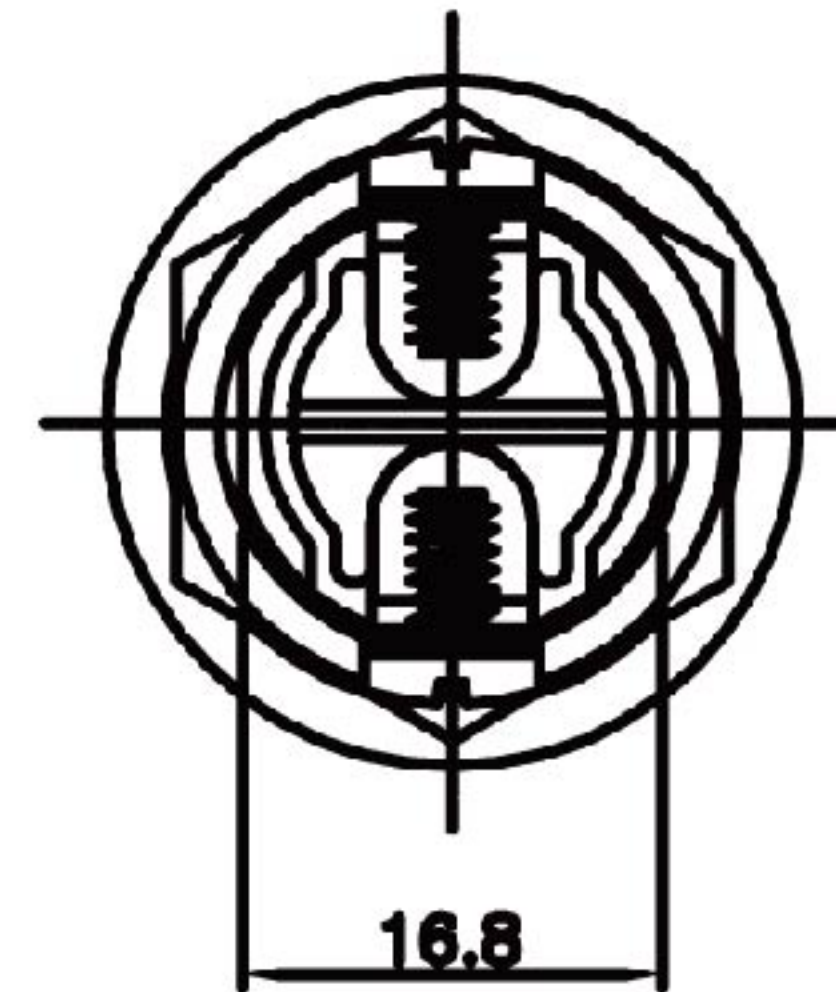
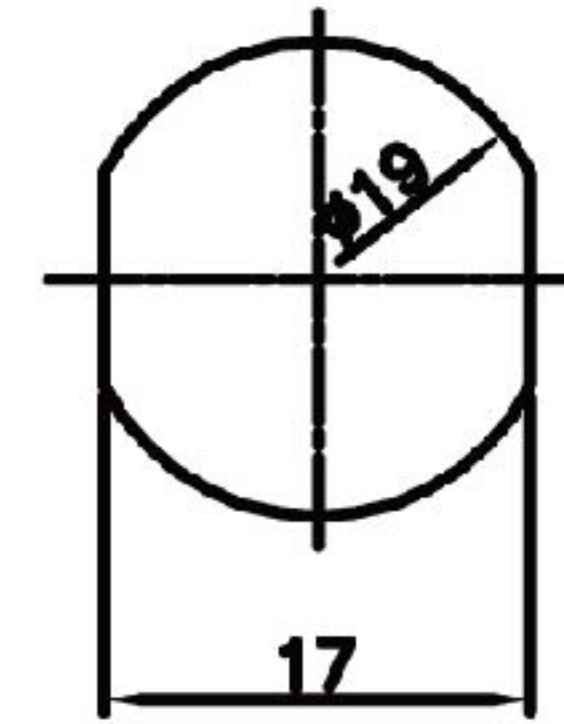
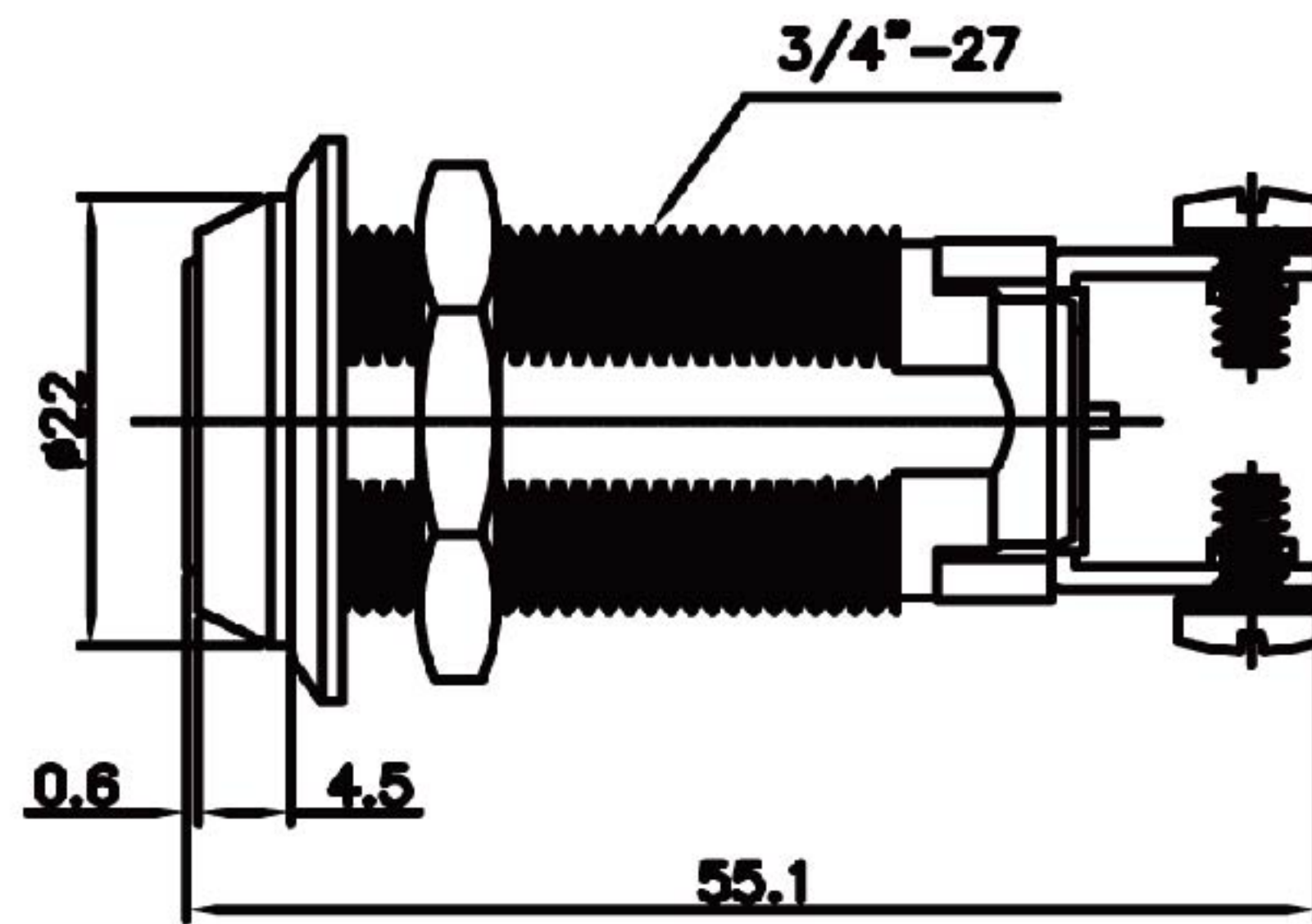
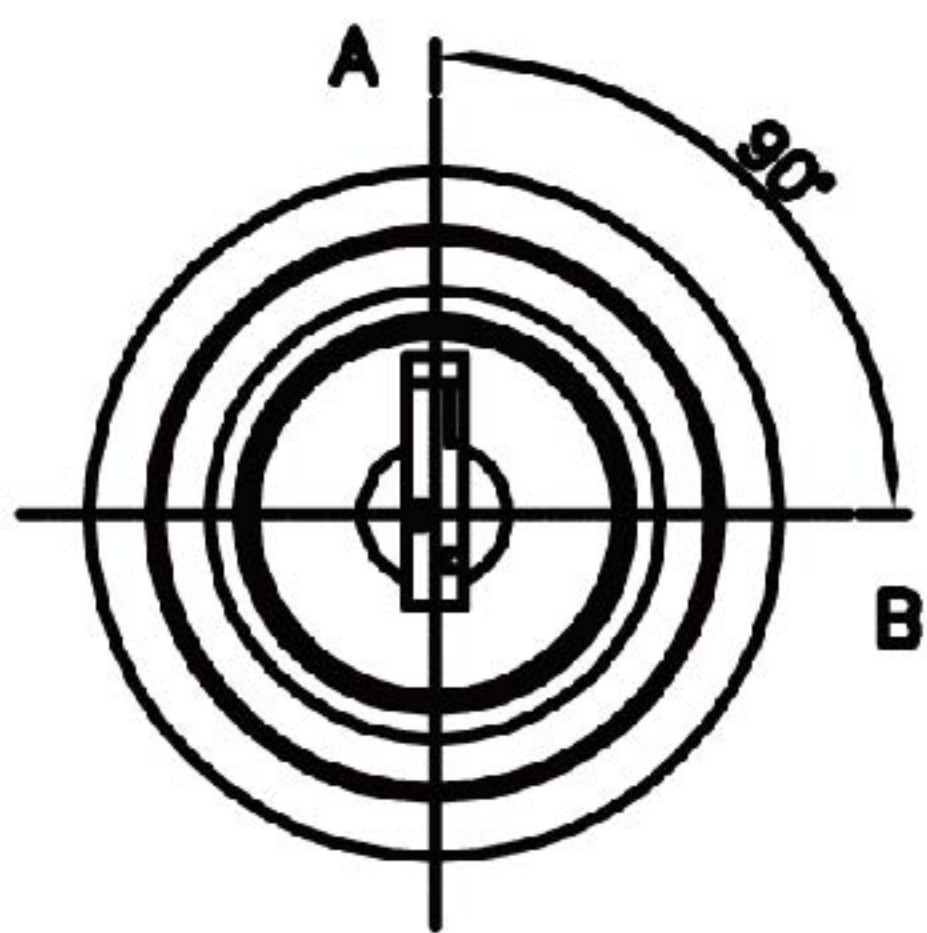


Fig.1

Fig No	Lock Number	Pole	Positions	Terminals	Key Pulls	Turn	⬆	⬅	Type
1	S213M	1	2	2	1	90°	Off	(On)	SPST

() : Momentary Contact

Unit: mm

Recommended hole size

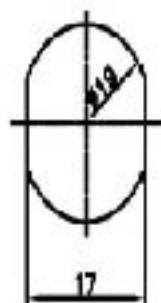
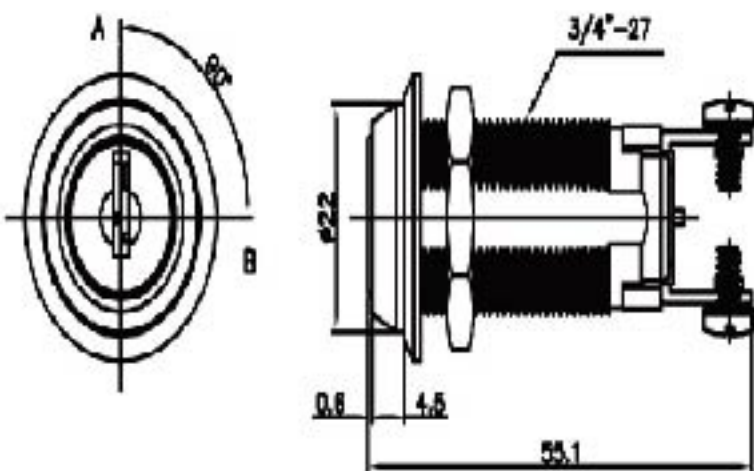


Fig.1

Fig No	Lock Number	Pole	Positions	Terminals	Key Pulls	Turn	⬆	➡	Type
1	S213M	1	2	2	1	90°	Off	(On)	SPST

() : Momentary Contact