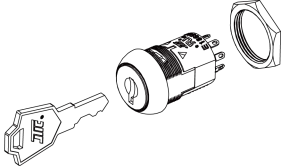
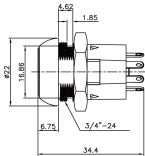


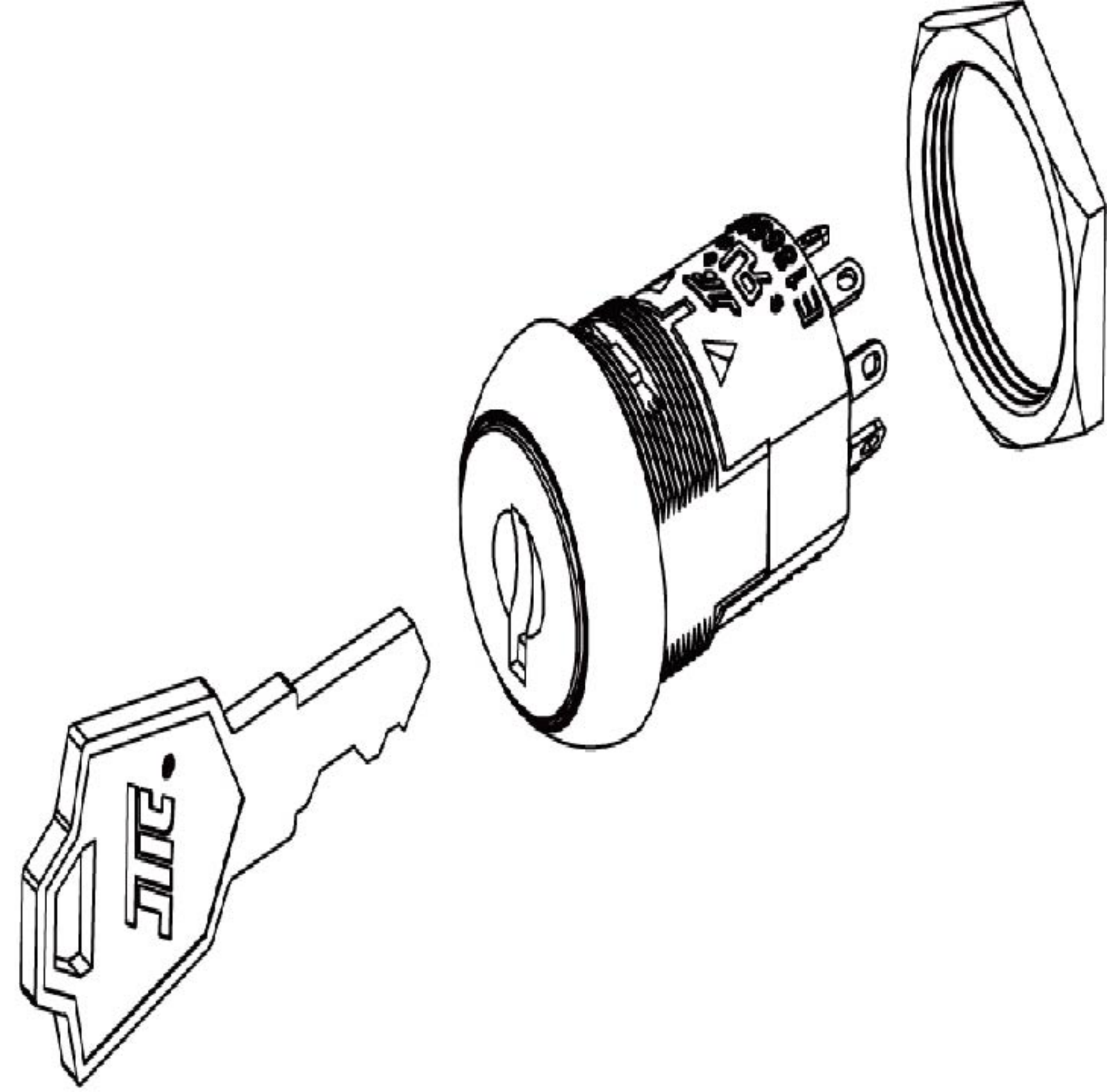
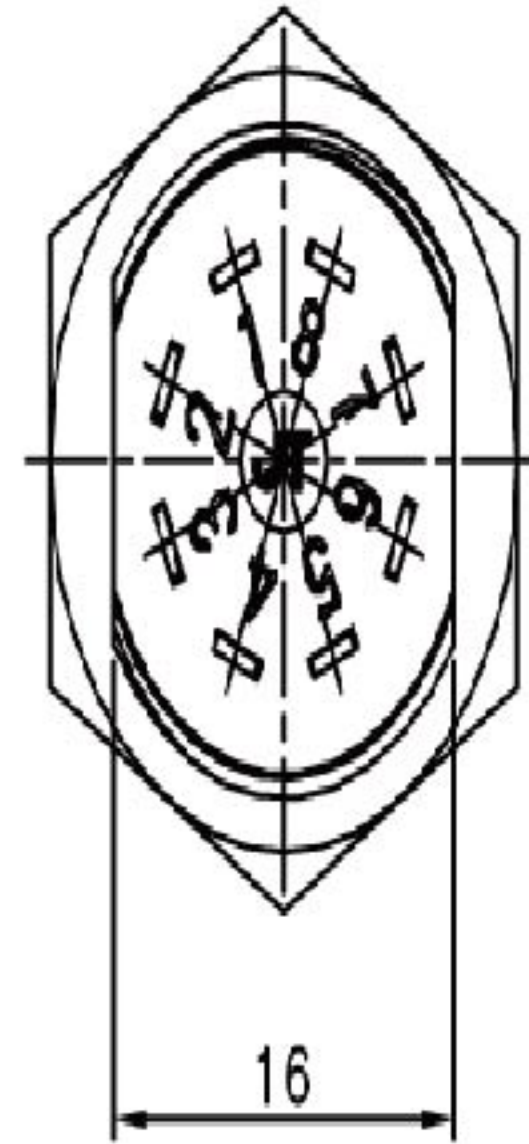
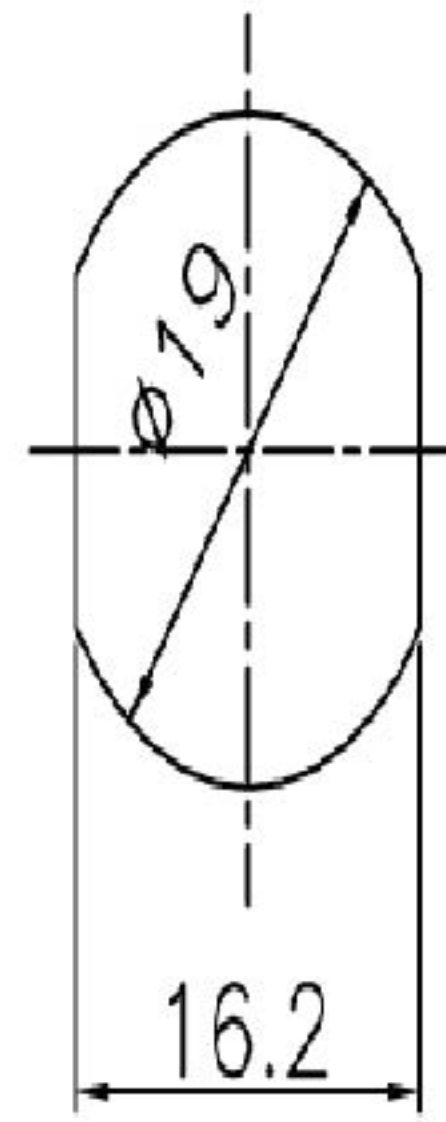
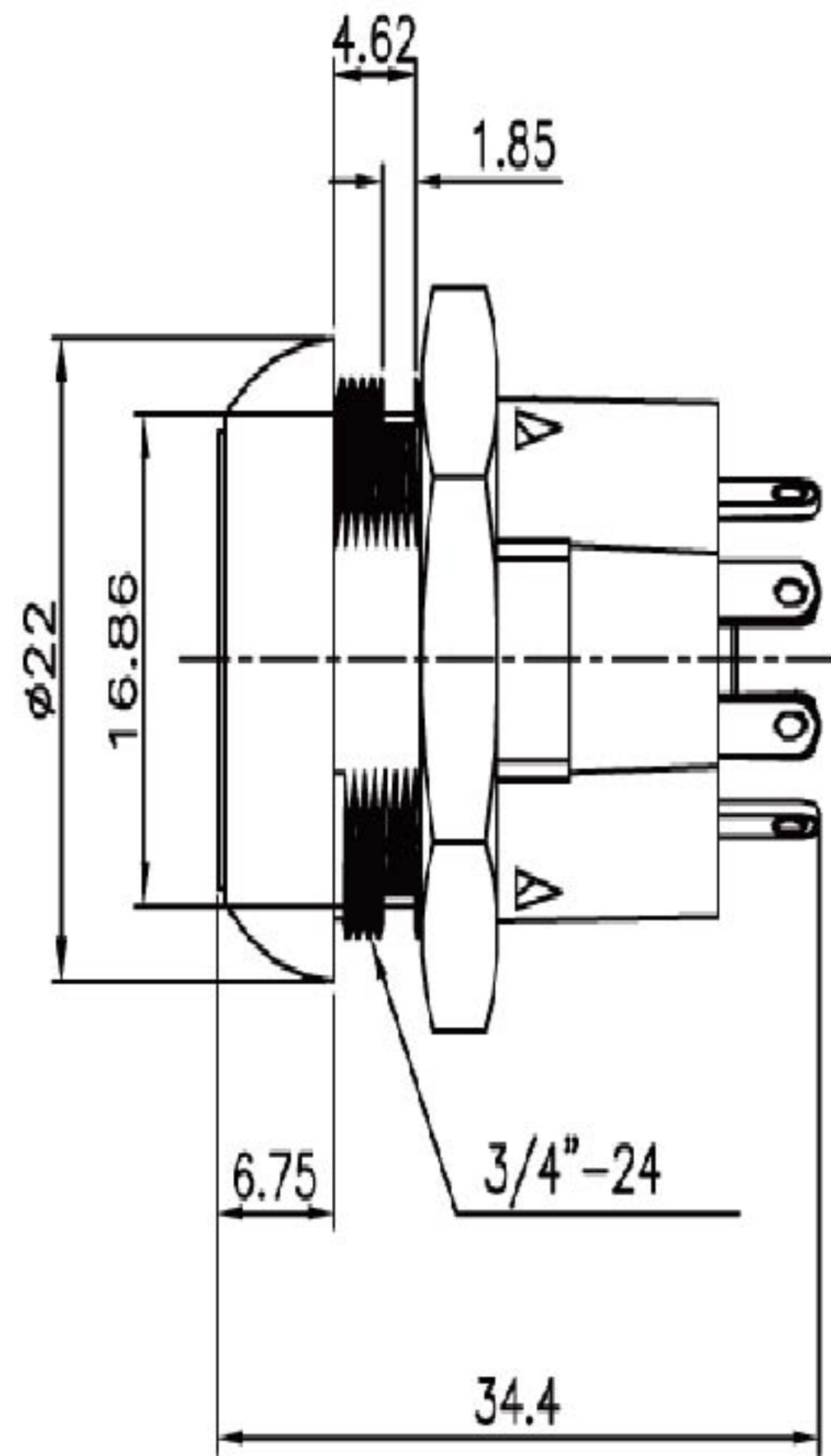
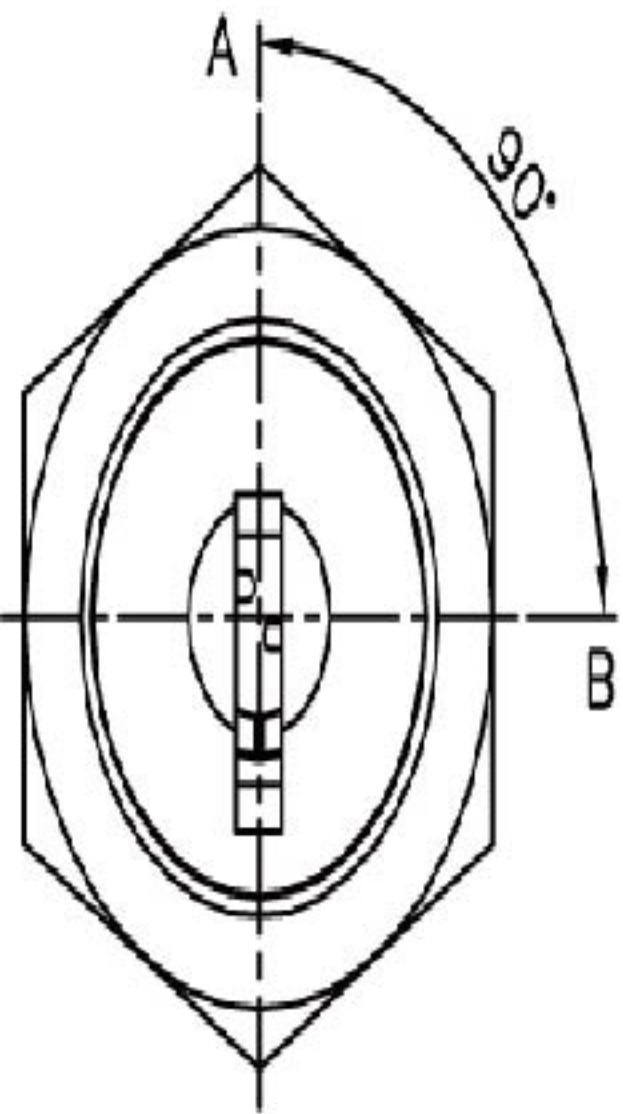
Unit: mm

Recommended hole size



Unit: mm

Recommended hole size



Unit: mm

Recommended hole size

