

Unit: mm

Recommended hole size

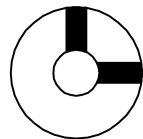
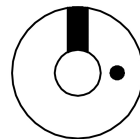
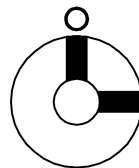
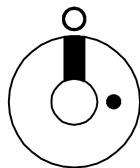
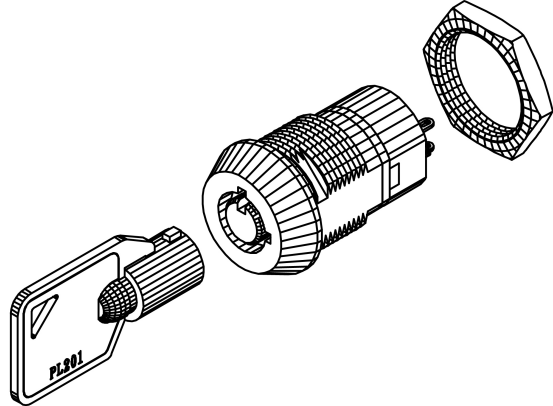
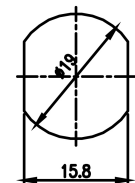
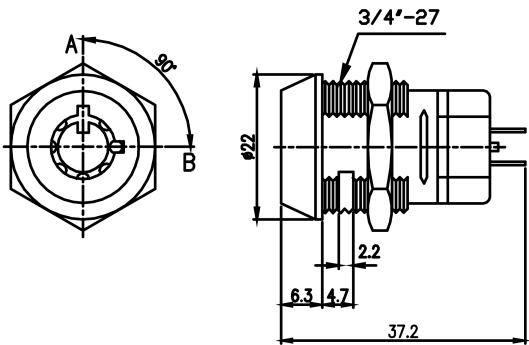


Fig.1

Fig.2

Fig.3

Fig.4

Fig No	Lock Number	Pole	Positions	Terminals	Key Pulls	Turn	⬆	➡	Type
1	S206A-1	2	2	4	1	90°	Off	On	DPST
2	S206A-2	2	2	4	2	90°	Off	On	DPST
3	S206B-2	2	2	4	1	90°	Off	On	SPDT
4	S206B-2	2	2	4	2	90°	Off	On	SPDT