

Unit: mm

Recommended hole size

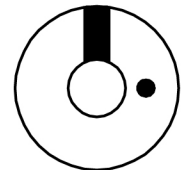
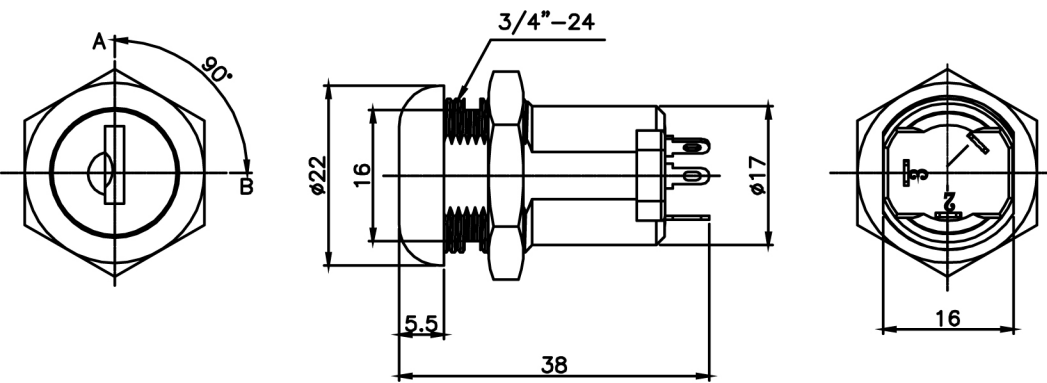




Fig.1

Fig No	Lock Number	Pole	Positions	Terminals	Key Pulls	Turn			Type
1	S2982A	1	2	3	1	90°	On	On	SPDT