

Unit: mm

Recommended hole size

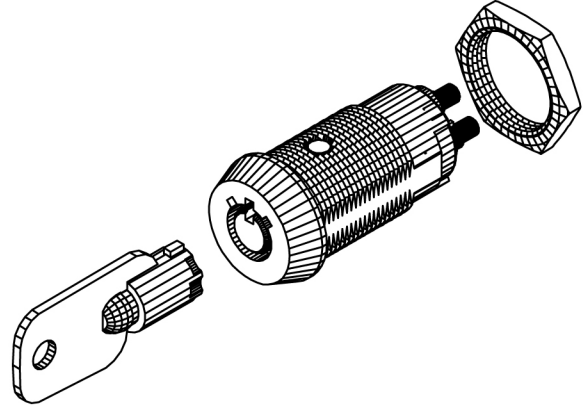
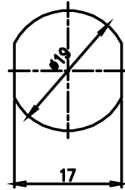
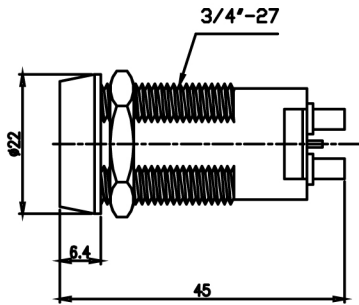
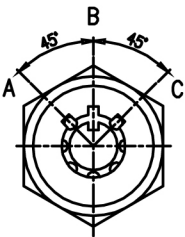


Fig.1

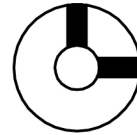


Fig.2

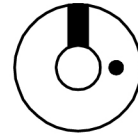


Fig.3

Fig No	Lock Number	Pole	Positions	Terminals	Key Pulls	Turn					Type
1	S202ZB	1	3	4	3	45°-0°-45°	On	Off	On		SPDT
2	S202ZD	1	2	4	2	90°		On		On	SPDT
3	S202ZDA	1	2	4	1	90°		On		(On)	SPDT

() : Momentary Contact