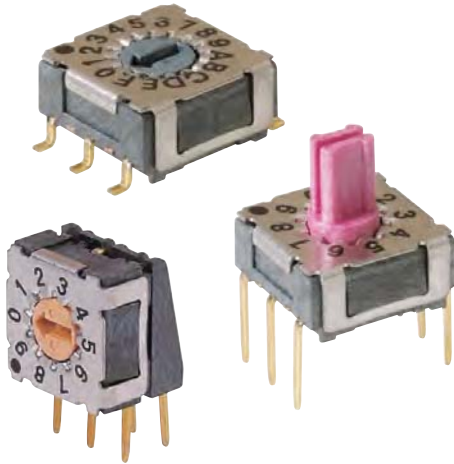


MINI ROTARY DIP SWITCH 7.4x7.4 Size, Height: 3.65mm

MS
MA
MD
Series

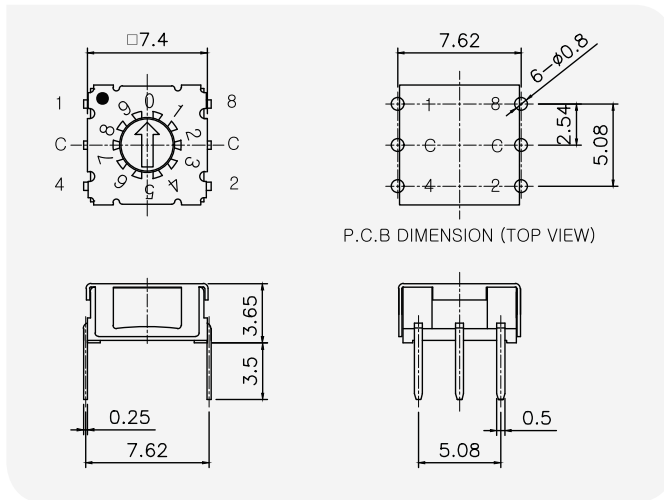


General Specification

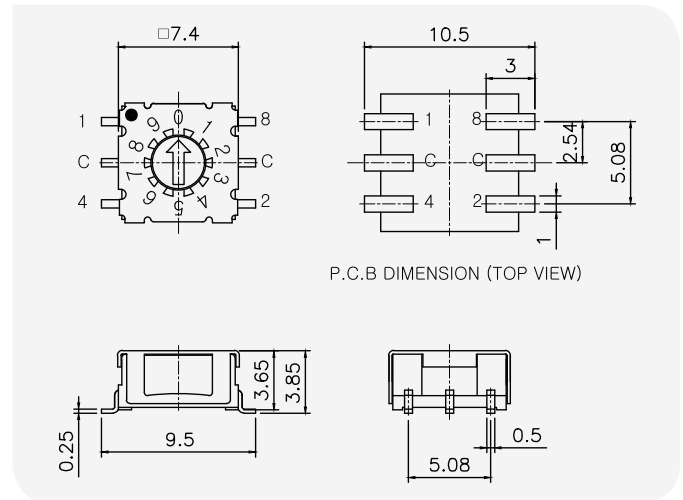
- Rating :** 100mA, DC 42V (Switching)
400mA, DC 42V (None-Switching)
- Contact Resistance :** 80mΩ Max.
- Insulation Resistance :** 100MΩ Min at DC 250V
- Operating Force :** 120±30gf Max.
- Life Cycle :** 25,000 steps
- Sealing :** IP67 (Dust & Water proof)

GENERAL DIMENSION

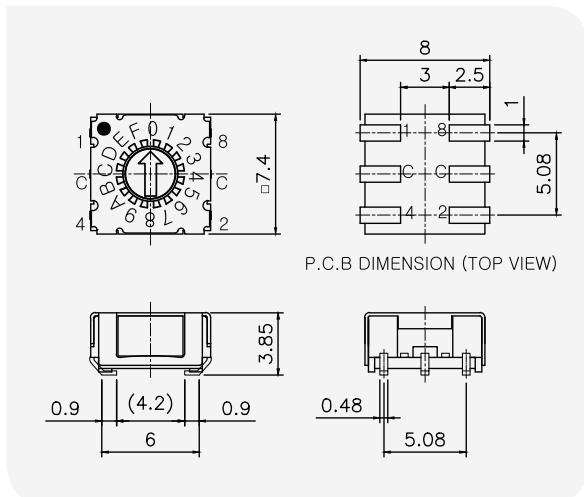
Through Hole Type Layout



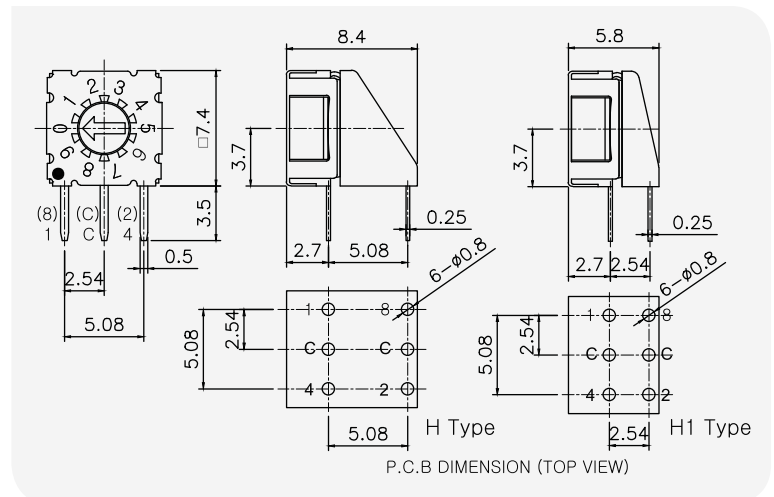
SMD Gull Wing Type Layout



SMD - J Hook Type Layout



Angle Type Layout (H:5.08mm, H1:2.54mm)



MINI ROTARY DIP SWITCH 7.4x7.4 Size, Height: 3.65mm

HOW TO ORDER

MS

Type

- MS** Position of printed No.0 (0°)
Ter' Circuit (1-C-4 / 8-C-2)
- MA** Position of printed No.0 (-90°)
Ter' Circuit (1-C-4 / 8-C-2)
- MD** Position of printed No.0 (-90°)
Ter' Circuit (1-C-2 / 4-C-8)
H Type (+90°)

D

Actuator

- D** Arrow
(Height = 0mm)
- S** Spindle
(Height = 4.5mm)
- K** Slotted spindle
(Height = 4.2mm)
- G** Slotted spindle
(Height = 1mm)

R

Code

- R** Real Code
- C** Complement Code
- G** Gray Code
- *Other codes are available upon the request.

-

10

Position

- 04** 4 Position
- 10** 10 Position
- 16** 16 Position

S

Terminal

- Through-Hole (Ter' 3x3)
- C** Through-Hole (Ter' 3x2)
- S** SMD Gull Wing (Ter' 3x3)
- SC** SMD Gull Wing (Ter' 3x2)
- J** J - Hook SMD (Ter' 3x3)
- JC** J - Hook SMD (Ter' 3x2)
- H** Right Angle 5.08mm
- H1** Right Angle 2.54mm

TR

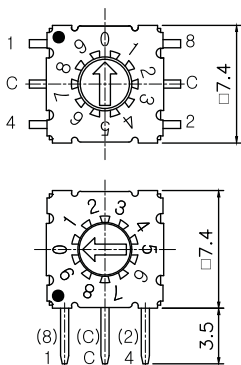
Packing

- Tube Packing
- TR** Reel Packing

1. Type

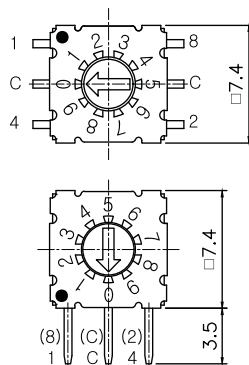


MS Type



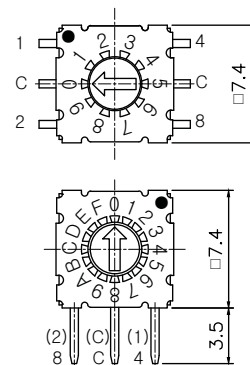
MS: Position of Number 0 = 0°
Ter' Circuit (1-C-4 / 8-C-2)

MA Type



MA: Position of Number 0 = -90°
Ter' Circuit (1-C-4 / 8-C-2)

MD Type

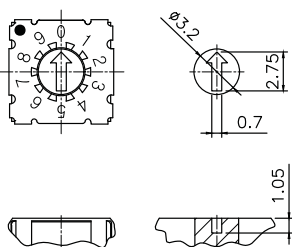


MD: Position of Number 0 = -90°
(Angle Type 0=+90°)
Ter' Circuit (1-C-2 / 4-C-8)
* Only 16 Position for Angle Type (MD)

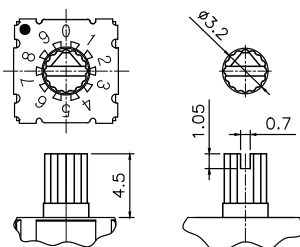
2. Actuator



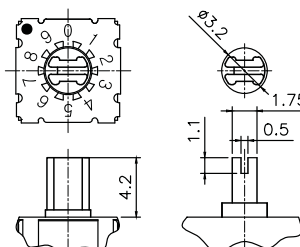
D Arrow (Height = 0mm)



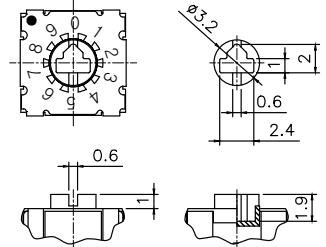
S Spindle (Height = 4.5mm)



K Slotted Spindle (Height = 4.2mm)



G Slotted Spindle (Height = 1mm)



MINI ROTARY DIP SWITCH 7.4x7.4 Size, Height: 3.65mm

3. Code & Position



R Real Code

16 Position		Real Code					10 Position	
		C	1	2	4	8		
0							0	
1							1	
2							2	
3							3	
4							4	
5							5	
6							6	
7							7	
8							8	
9							9	
10							A	
11							B	
12							C	
13							D	
14							E	
15							F	

C Complement Code

16 Position		Complement Code					10 Position	
		C	1	2	4	8		
0							0	
1							1	
2							2	
3							3	
4							4	
5							5	
6							6	
7							7	
8							8	
9							9	
10							A	
11							B	
12							C	
13							D	
14							E	
15							F	

G Gray Code

10 Position		Gray Code					16 Position	
		C	1	2	4	8		
0							0	
1							1	
2							2	
3							3	
4							4	
5							5	
6							6	
7							7	
8							8	
9							9	

M

04 Position		Decimal Code				(Top View)
		C	0	1	2	3
0						0
1						1
2						2
3						3

Only MS Type

N

04 Position		Decimal Code				(Top View)
		C	1	2	3	4
1						1
2						2
3						3
4						4

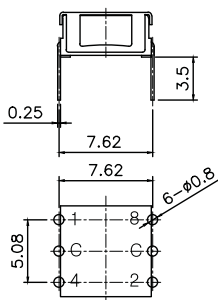
Only MS Type

* Other special codes are available upon the request.

4. Terminal

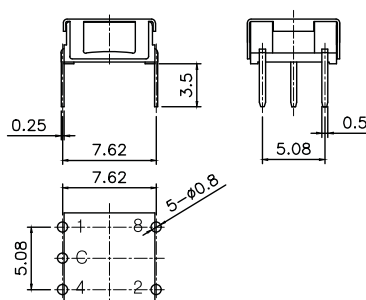


- Through-Hole (Ter' 3x3)



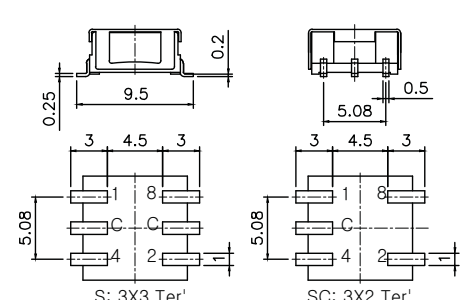
P.C.B DIMENSION (TOP VIEW)

C Through-Hole (Ter' 3x2)



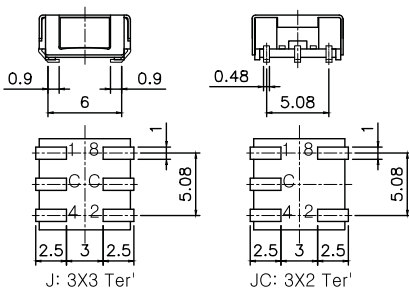
P.C.B DIMENSION (TOP VIEW)

S/SC SMD Type (Ter' 3x3, Ter' 3x2)



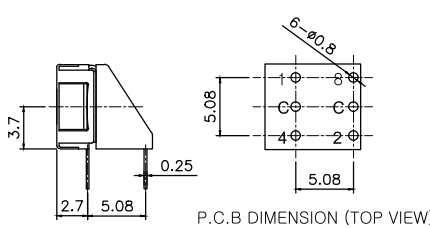
P.C.B DIMENSION (TOP VIEW)

J/JC J - Hook SMD (Ter' 3x3, Ter' 3x2)



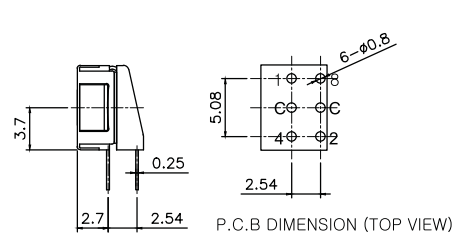
P.C.B DIMENSION (TOP VIEW)

H Angle Type 5.08mm (Ter' 3x3)



P.C.B DIMENSION (TOP VIEW)

H1 Angle Type 2.54mm (Ter' 3x3)



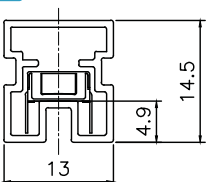
P.C.B DIMENSION (TOP VIEW)

5. Packing

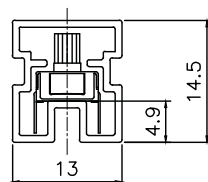


- Tube Packing (Q'ty: 70Pcs/Tube)

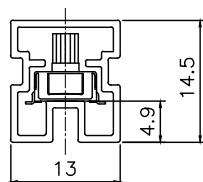
TR



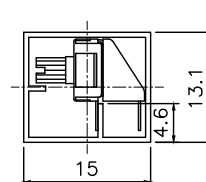
D Type Actuator



S, K Type Actuator



SMD & J - Hook Type

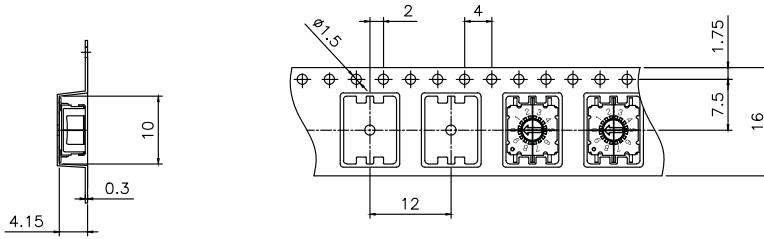


Angle Type (H, H1)

Reel Packing (See Page 17)

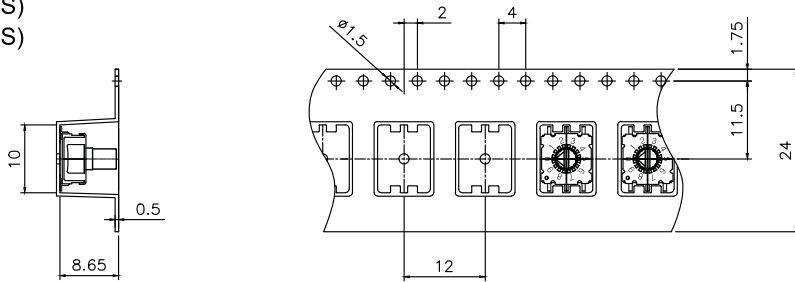
MINI ROTARY DIP SWITCH 7.4x7.4 Size, Height: 3.65mm Tape & Reel Packing

1. 'D' Type Actuator with SMD Terminal
(MSDR-S)



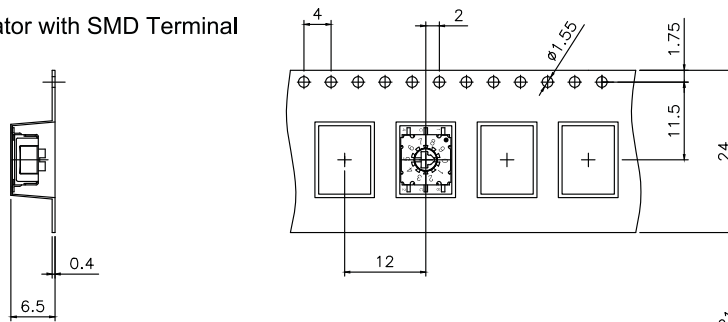
Units(pcs)
1,300

2. 'S' & 'K' Type Actuator with SMD Terminal
(MSSR-S)
(MSKR-S)

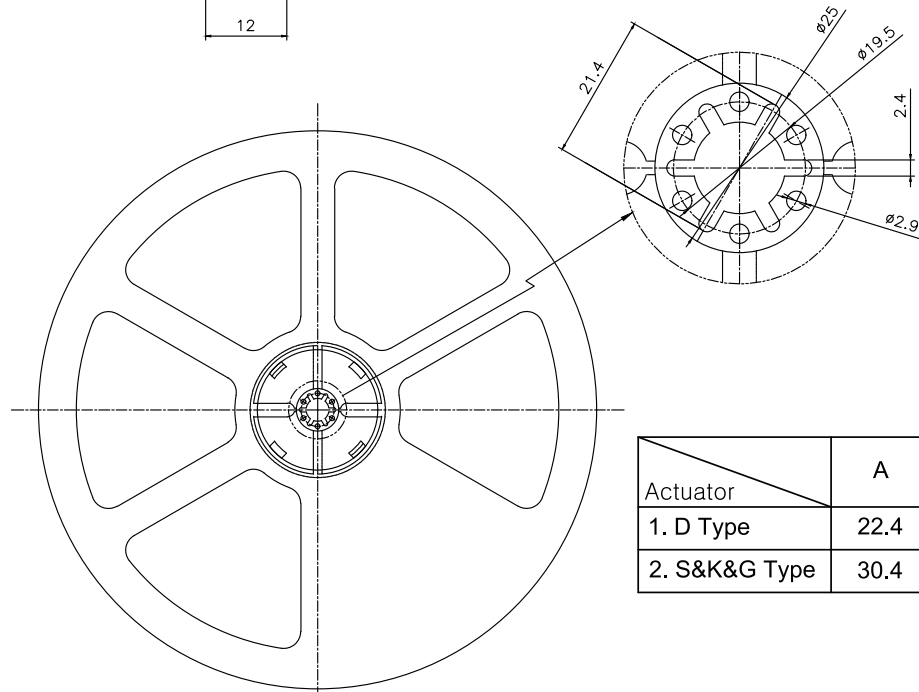
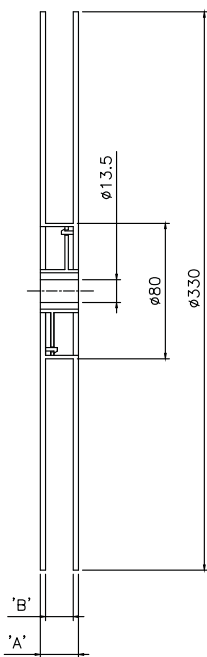


Units(pcs)
600

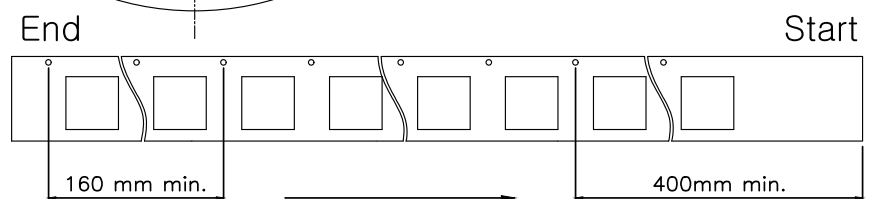
3. 'G' Type Actuator with SMD Terminal
(MSGR-S)



Units(pcs)
800



Actuator	A	B
1. D Type	22.4	16.4
2. S&K&G Type	30.4	24.4



End Section Direction of Section Advance