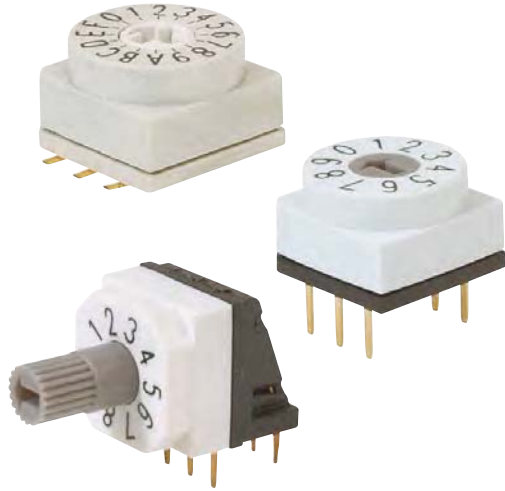


# ROTARY DIP SWITCH 10x10 Size, Height: 6.5mm, 3x3 Terminal

T  
S  
Q  
Series



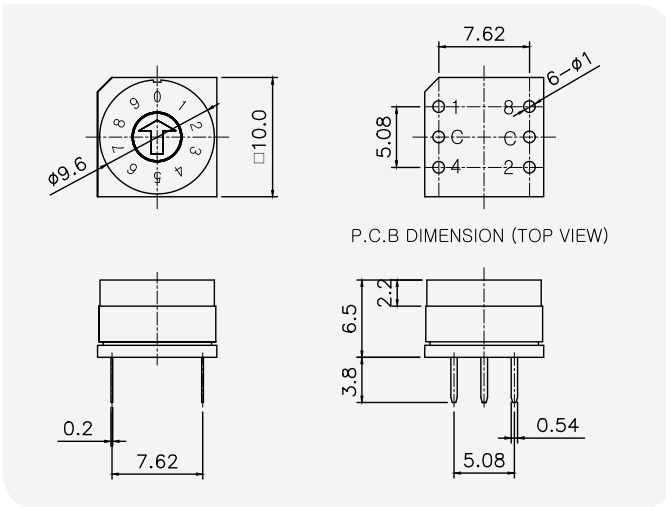
## General Specification

1. **Rating :** 150mA, DC 42V (Switching)  
200mA, DC 42V (None-Switching)
2. **Contact Resistance :** 80mΩ Max.
3. **Insulation Resistance :** 100MΩ Min at DC 250V
4. **Operating Force :** 700gf Max.
5. **Life Cycle :** 10,000 steps
6. **Sealing :** IP67 (Dust & Water proof)  
\*Except cross type of Actuator ("E" Type)

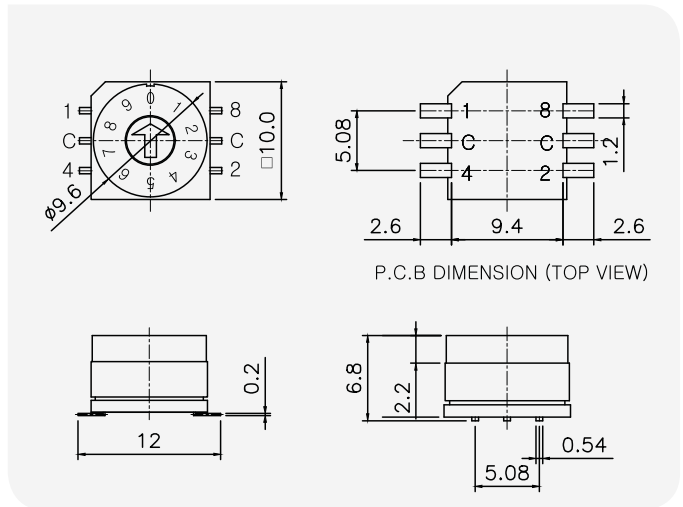
\*See page 30 for Accessories.

## GENERAL DIMENSION

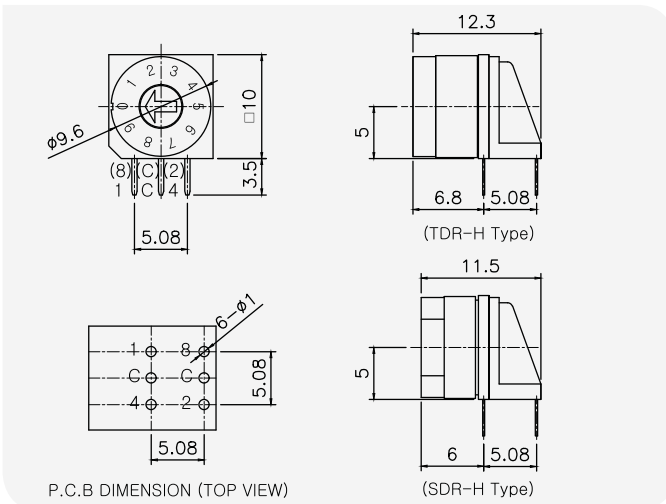
### Through Hole Type Layout



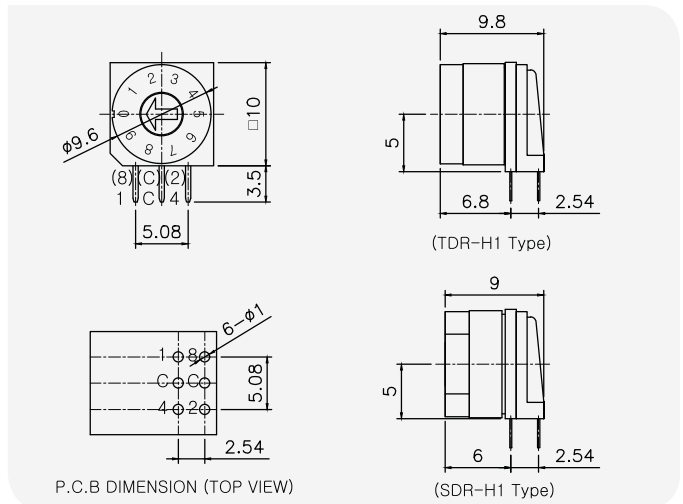
### SMD Gull Wing Type Layout



### Angle Type Layout (H:5.08mm)



### Angle Type Layout (H1:2.54mm)



# ROTARY DIP SWITCH 10x10 Size, Height: 6.5mm, 3x3 Terminal

## HOW TO ORDER

**T**

**Cover Type**

- T** Round (Ter' 3x3)
- S** Octagon (Ter' 3x3)
- Q** Square (Ter' 3x3)

**D**

**Actuator**

- D** Arrow (Height = 0mm)
- S** Height = 7.3mm
- P** Height = 1.0mm
- E** Cross (Height = 0mm)

**R**

**Code**

- R** Real Code
  - C** Complement Code
  - G** Gray Code
- \*Other special codes are available upon the request.

—

**10**

**Position**

- 04** 4 Position
- 06** 6 Position
- 08** 8 Position
- 10** 10 Position
- 16** 16 Position

**S**

**Terminal**

- Through-Hole (Ter' 3x3)
- C** Through-Hole (Ter' 3x2)
- S** SMD Gull Wing (Ter' 3x3)
- SC** SMD Gull Wing (Ter' 3x2)
- H** Right Angle 5.08mm
- H1** Right Angle 2.54mm

**TR**

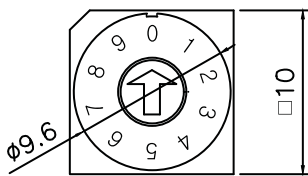
**Packing**

- Tube Packing
- TR** Reel Packing

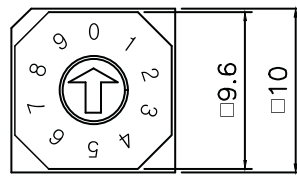
## 1. Cover Type



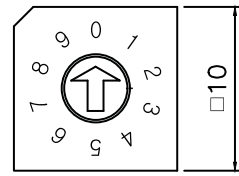
**T** Type (Round)



**S** Type (Octagon)



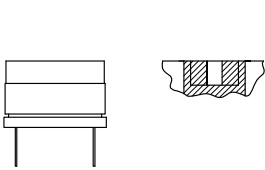
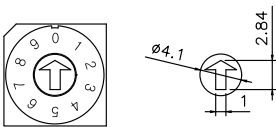
**Q** Type (Square)



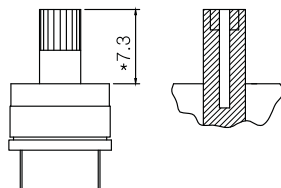
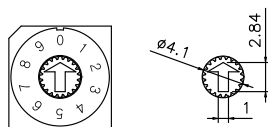
## 2. Actuator



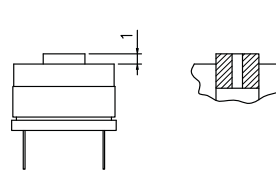
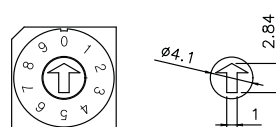
**D** Arrow (Height = 0mm)



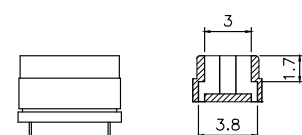
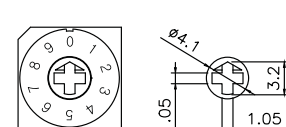
**S** Height = 7.3mm



**P** Height = 1mm



**E** Cross (Height = 0mm)



\* Only T Type Right Angle : 6.3mm

# ROTARY DIP SWITCH 10x10 Size, Height: 6.5mm, 3x3 Terminal

## 3. Code & Position



### R Real Code

Position	Real Code				Position
	C	1	2	4 8	
0					0
1					1
2					2
3					3
4					4
5					5
6					6
7					7
8					8
9					9
10					A
11					B
12					C
13					D
14					E
15					F

### C Complement Code

Position	Complement Code				Position
	C	1	2	4 8	
0					0
1					1
2					2
3					3
4					4
5					5
6					6
7					7
8					8
9					9
10					A
11					B
12					C
13					D
14					E
15					F

### C Gray Code

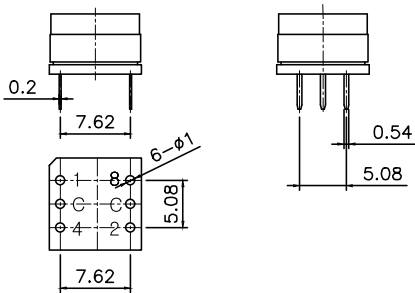
Position	Gray Code				Position
	C	1	2	4 8	
0					0
1					1
2					2
3					3
4					4
5					5
6					6
7					7
8					8
9					9
10					A
11					B
12					C
13					D
14					E
15					F

\* See page 25 for special codes.

## 4. Terminal

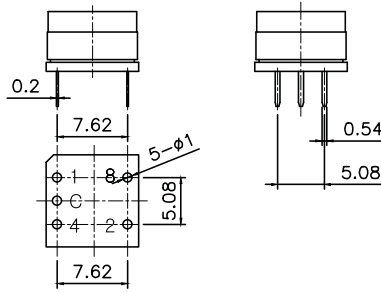


### - Through-Hole (Ter' 3x3)



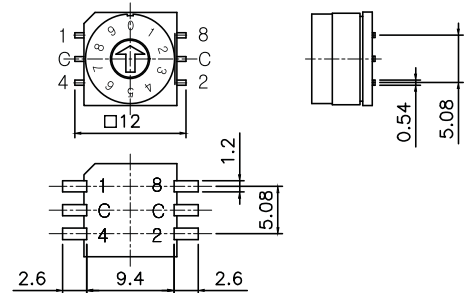
P.C.B DIMENSION (TOP VIEW)

### C Through-Hole (Ter' 3x2)



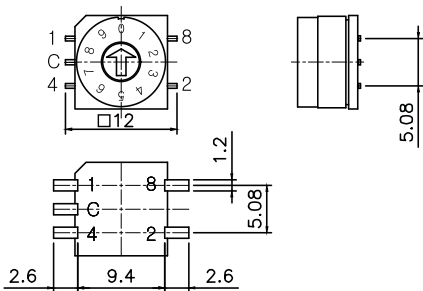
P.C.B DIMENSION (TOP VIEW)

### S SMD Type (Ter' 3x3)



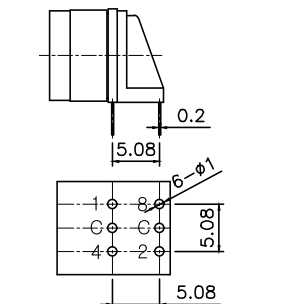
P.C.B DIMENSION (TOP VIEW)

### SC SMD Type (Ter' 3x2)



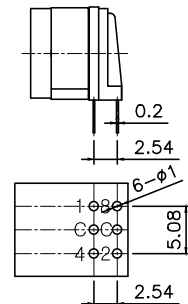
P.C.B DIMENSION (TOP VIEW)

### H Angle Type 5.08mm (Ter' 3x3)



P.C.B DIMENSION (TOP VIEW)

### H1 Angle Type 2.54mm (Ter' 3x3)



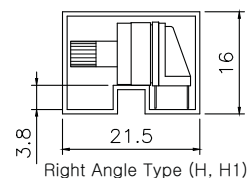
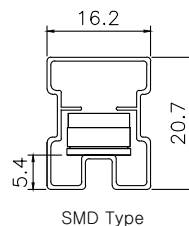
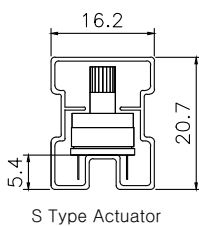
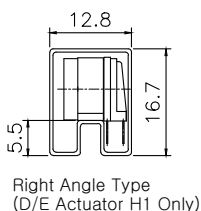
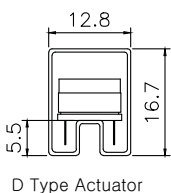
P.C.B DIMENSION (TOP VIEW)

## 5. Packing



### - Tube Packing (Q'ty: 50Pcs/Tube)

### TR Reel Packing (See page 29)



# ROTARY DIP SWITCH 10x10 Size, Height: 6.5 & 4.5mm, 3x3 Terminal

## Special Codes

\* Other special codes are available upon the request.

**A**

10 Position

Position	Real Code					Position
	C	1	2	4	8	
0						0
1						1
2						2
3						3
4						4
5						5
6						6
7						7
8						8
9						9

4	1
C	2
8	2

  
 10 POSITION

**B**

16 Position

Position	Complement Code					Position
	C	1	2	4	8	
0						0
1						1
2						2
3						3
4						4
5						5
6						6
7						7
8						8
9						9
10						A
11						B
12						C
13						D
14						E
15						F

8	2
C	1
4	1

  
 16 POSITION

**D**

04 Position

Position	Decimal Code			
	C	1	2	3
0				
1				
2				
3				

1	2
C	C
4	3

  
 04 POSITION

**E**

06 Position

Position	Real Code				
	C	1	2	4	8
0					
1					
2					
3					
4					
5					

1	2
C	4

  
 06 POSITION

**F**

04 Position

Position	Real Code		
	C	1	2
0			
1			
2			
3			

1	C
C	2

  
 04 POSITION

**H**

16 Position

Position	Complement Code					Position
	C	1	2	4	8	
0						0
1						1
2						2
3						3
4						4
5						5
6						6
7						7
8						8
9						9
10						A
11						B
12						C
13						D
14						E
15						F

4	1
C	2
8	2

  
 16 POSITION

**I**

04 Position

Position	Real Code		
	C	1	2
0			
1			
2			
3			

2	C
C	1

  
 04 POSITION

**J**

16 Position

Position	Real Code				
	C	1	2	4	8
0					
1					
2					
3					
4					
5					
6					
7					
8					
9					
10					
11					
12					
13					
14					
15					

4	1
C	2
8	2

  
 16 POSITION

**K**

04 Position

Position	Special Code mit / with 2"C"					
	C	1	2	C'	1'	2'
0						0
1						1
2						2
3						3

C	2
1'	C'
2'	1'

  
 04 POSITION

**L**

06 Position

Position	Decimal Code				
	C	1	2	3	4
0					
1					
2					
3					
4					
5					

5	4
C	3
1	2

  
 06 POSITION

**M**

04 Position

Position	Code			
	C	0	1	2
0				
1				
2				
3				

1	2
C	C
0	3

  
 04 POSITION

**N**

04 Position

Position	Code			
	C	1	2	3
0				
1				
2				
3				
4				

1	4
C	C
3	2

  
 04 POSITION

**P**

10 Position

Position	BCD Code				
	C	1	2	4	8
0					
1					
2					
3					
4					
5					
6					
7					
8					
9					

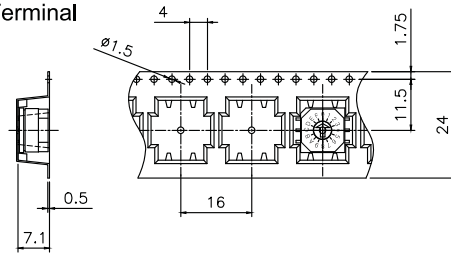
1	8
C	C
4	2

  
 10 POSITION

# ROTARY DIP SWITCH 10x10 Size Tape & Reel Packing

1. 'D' & 'E' Type Actuator with SMD Terminal

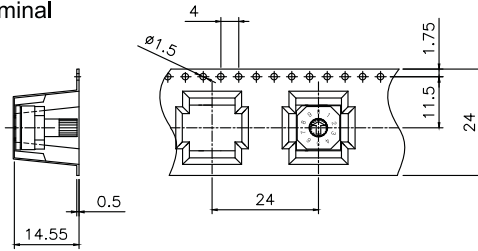
- (UDR-S)
- (HDR-S)
- (TDR-S)
- (SDR-S)
- (QDR-S)
- (FDR-S)



Units(pcs)
600

2. 'S' Type Actuator with SMD Terminal

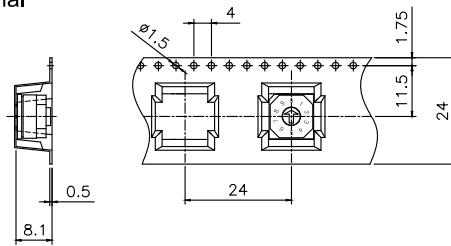
- (TSR-S)
- (SSR-S)
- (QSR-S)
- (FSR-S)



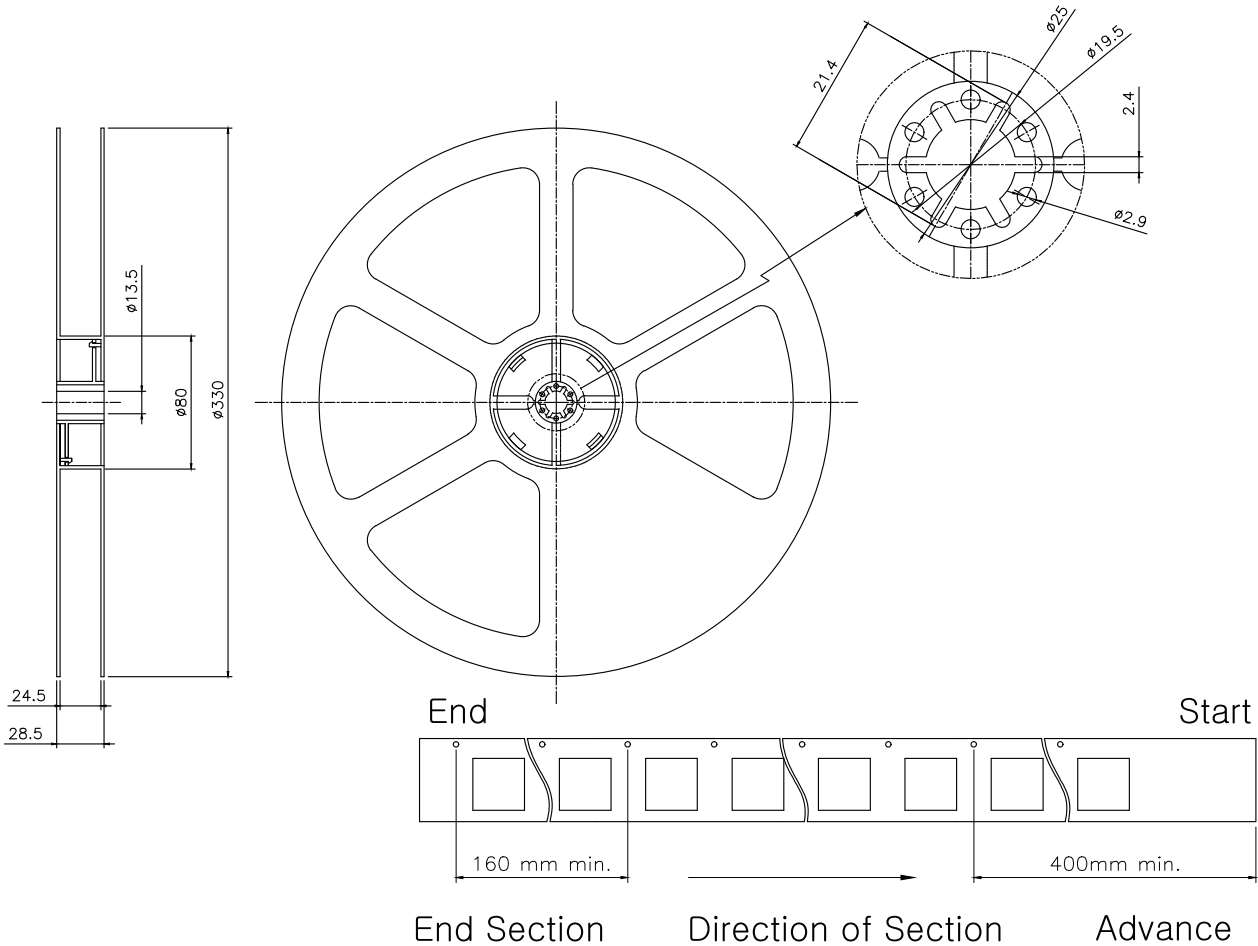
Units(pcs)
150

3. 'P' Type Actuator with SMD Terminal

- (TPR-S)
- (SPR-S)
- (QPR-S)
- (FPR-S)



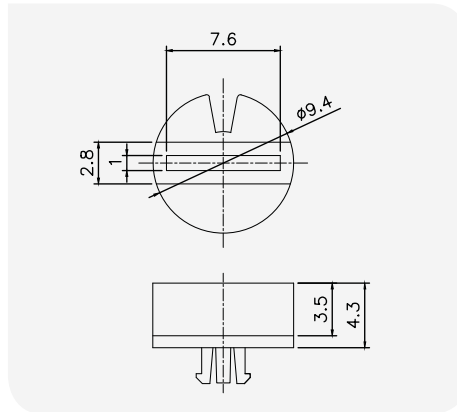
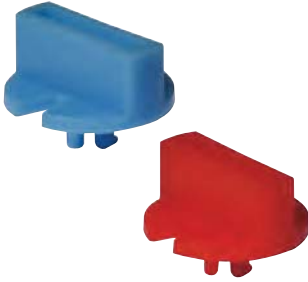
Units(pcs)
500



# ROTARY DIP SWITCH ACCESSORY **RK Series**

\*\* Applicable to only 'E' Type Actuators / Should be mounted after soldering

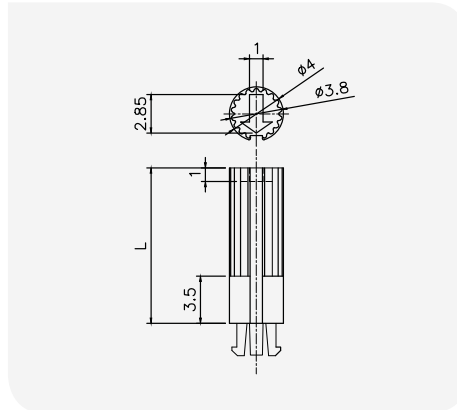
## 1 RK-100 Series



RK - 100

- Color**  
 G : Gray  
 R : Red  
 K : Black  
 Y : Yellow  
 B : Blue  
 C : Clear

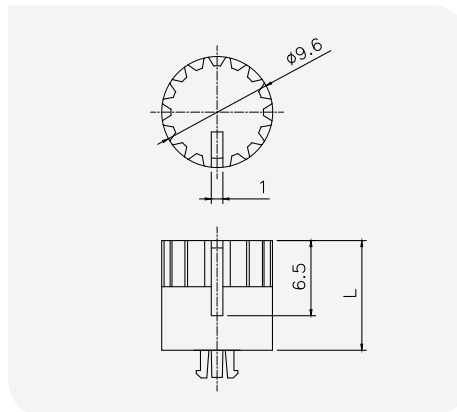
## 2 RK-200 Series



RK - 200

- Color**  
 G : Gray  
 R : Red  
 K : Black  
 Y : Yellow  
 B : Blue  
 C : Clear
- L (Length)**  
 0 : 7.3  
 1 : 11.6  
 2 : 13.3

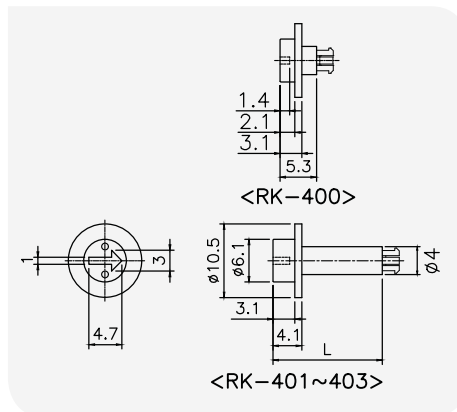
## 3 RK-300 Series



RK - 300

- Color**  
 G : Gray  
 R : Red  
 K : Black  
 Y : Yellow  
 B : Blue  
 C : Clear
- L (Length)**  
 0 : 9.5  
 1 : 14.5  
 2 : 19.0

## 4 RK-400 Series



RK - 400

- Color**  
 G : Gray  
 R : Red  
 K : Black  
 Y : Yellow  
 B : Blue  
 C : Clear
- L (Length)**  
 0 : 5.3  
 1 : 15.7  
 2 : 29.1  
 3 : 34.4