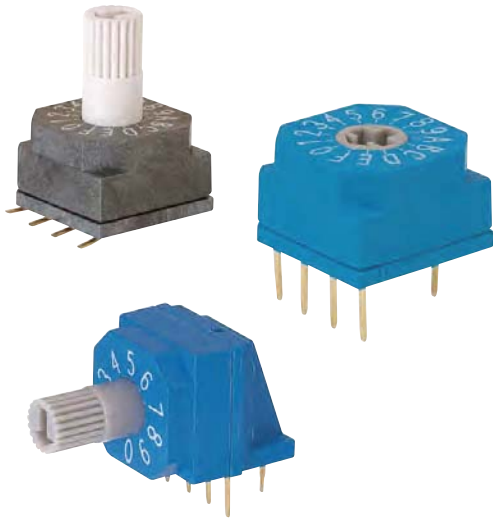


ROTARY DIP SWITCH 10x10 Size, Height: 6.5mm, 4x1 Terminal

F Series



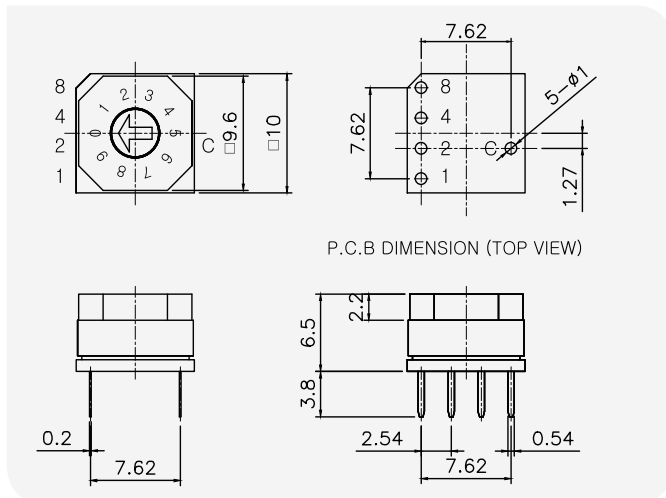
General Specification

1. **Rating :** 150mA, DC 42V (Switching)
200mA, DC 42V (None-Switching)
2. **Contact Resistance :** 80mΩ Max.
3. **Insulation Resistance :** 100MΩ Min at DC 250V
4. **Operating Force :** 700gf Max.
5. **Life Cycle :** 10,000 steps
6. **Sealing :** IP67 (Dust & Water proof)
*Except cross type of Actuator ("E" Type)

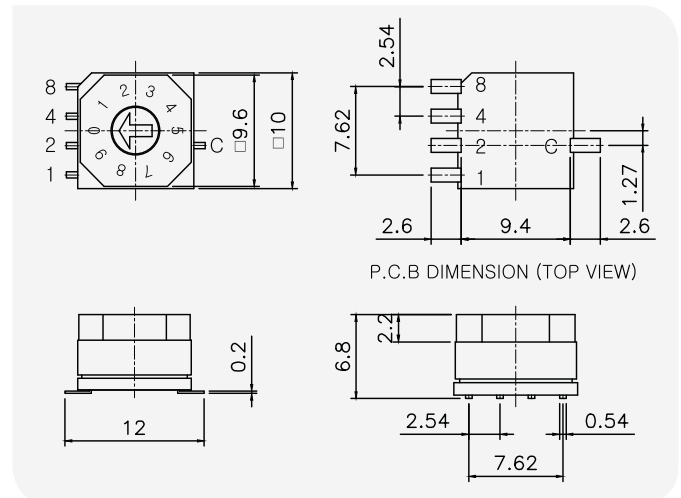
*See page 30 for Accessories.

GENERAL DIMENSION

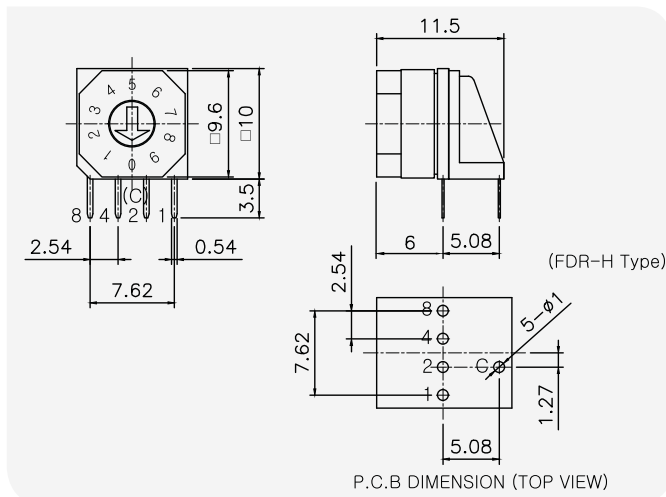
Through Hole Type Layout



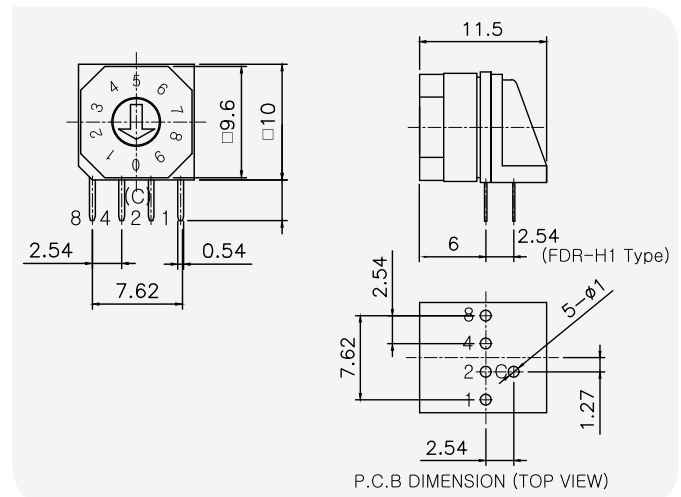
SMD Gull Wing Type Layout



Angle Type Layout (H:5.08mm)



Angle Type Layout (H1:2.54mm)



ROTARY DIP SWITCH 10x10 Size, Height: 6.5mm, 4x1 Terminal

HOW TO ORDER

F

Cover Type

F Octagon Type (Ter' 4x1)

D

Actuator

D Arrow (Height = 0mm)
S Height = 7.3mm
P Height = 1.0mm
E Cross (Height = 0mm)

R

Code

R Real Code
C Complement Code
S Gray Code

*Other special codes are available upon the request.

—

10

Position

04 4 Position
06 6 Position
08 8 Position
10 10 Position
16 16 Position

S

Terminal

- Through-Hole (Ter' 4x1)
S SMD Gull Wing (Ter' 4x1)
H Right Angle 5.08mm
H1 Right Angle 2.54mm

TR

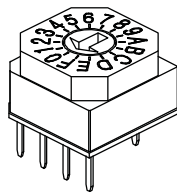
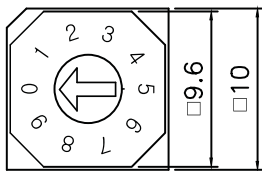
Packing

- Tube Packing
TR Reel Packing

1. Cover Type



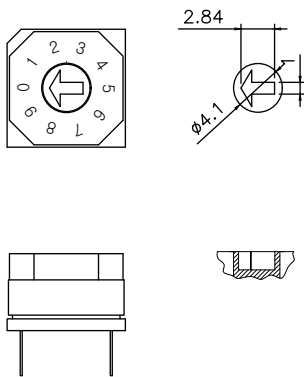
F Type (Octagon) 4x1 Ter'



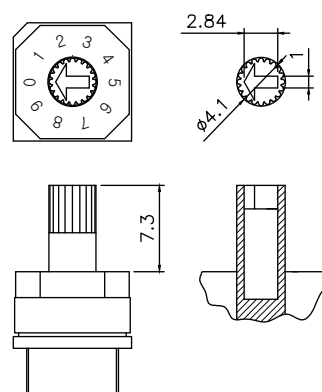
2. Actuator



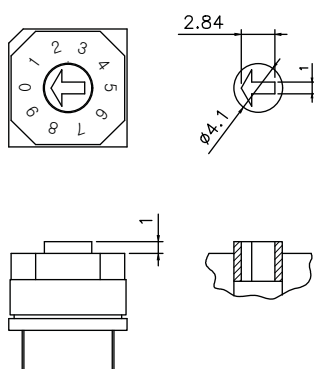
D Arrow (Height = 0mm)



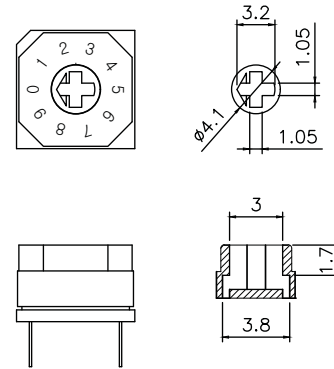
S Height = 7.3mm



P Height = 1mm



E Cross (Height = 0mm)



ROTARY DIP SWITCH 10x10 Size, Height: 6.5mm, 4x1 Terminal

3. Code & Position



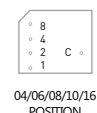
R Real Code

16 Position	10 Position	08 Position	06 Position	04 Position	Real Code					
					C	1	2	4	8	
0										0
1										1
2										2
3										3
4										4
5										5
6										6
7										7
8										8
9										9
10										A
11										B
12										C
13										D
14										E
15										F



C Complement Code

16 Position	10 Position	08 Position	06 Position	04 Position	Complement Code					
					C	1	2	4	8	
0										0
1										1
2										2
3										3
4										4
5										5
6										6
7										7
8										8
9										9
10										A
11										B
12										C
13										D
14										E
15										F



S Decimal Code

04 Position	Decimal Code			
	C	1	2	4
1				
2				
3				
4				

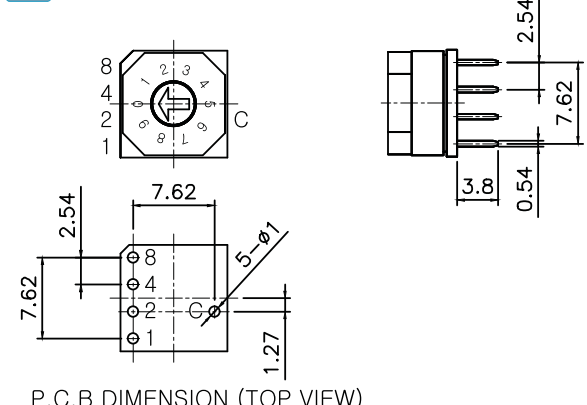


* Special Codes are available upon the request.

4. Terminal

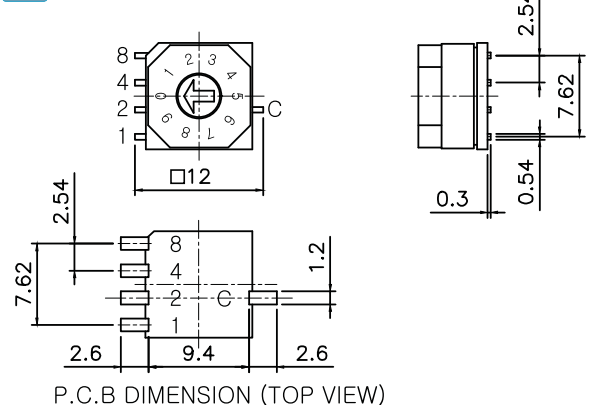


- Through-Hole (Ter' 4x1)



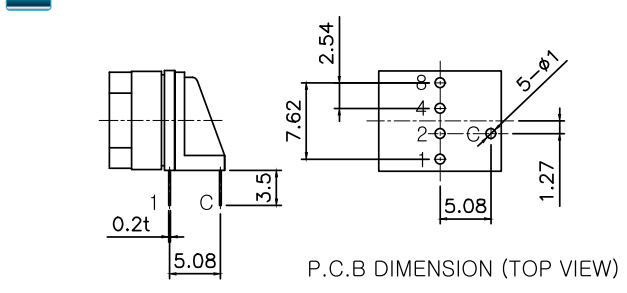
P.C.B DIMENSION (TOP VIEW)

S SMD Type (Ter' 4x1)



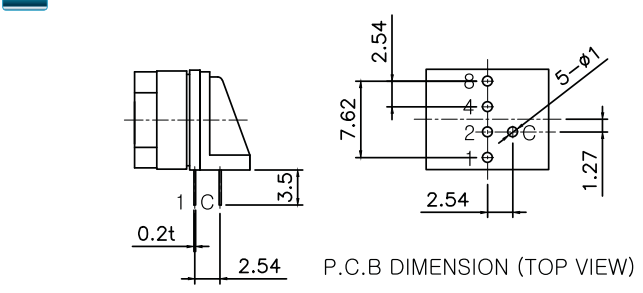
P.C.B DIMENSION (TOP VIEW)

H Angle Type 5.08mm (Ter' 4x1)



P.C.B DIMENSION (TOP VIEW)

H1 Angle Type 2.54mm (Ter' 4x1)

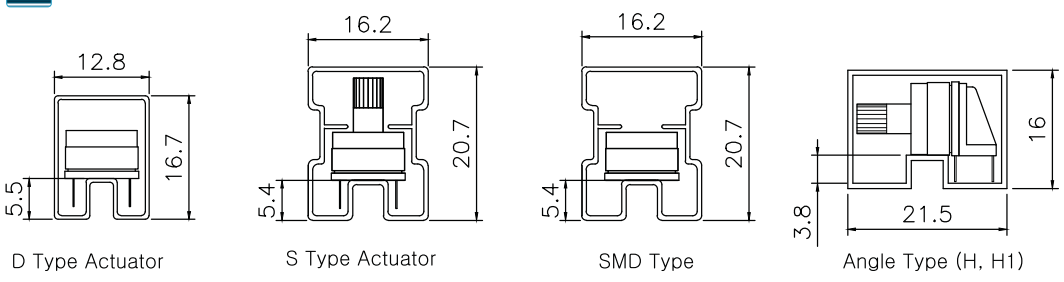


P.C.B DIMENSION (TOP VIEW)

5. Packing



- Tube Packing (Q'ty: 50Pcs/Tube)



D Type Actuator S Type Actuator SMD Type Angle Type (H, H1)

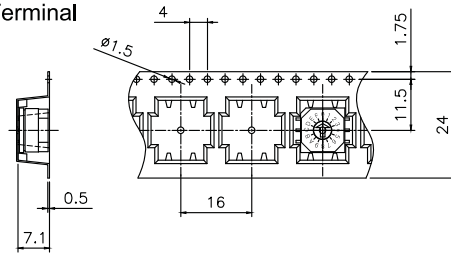
TR

Reel Packing
(See Page 29)

ROTARY DIP SWITCH 10x10 Size Tape & Reel Packing

1. 'D' & 'E' Type Actuator with SMD Terminal

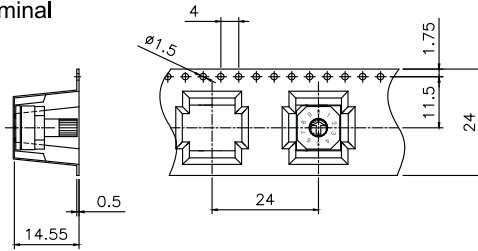
- (UDR-S)
- (HDR-S)
- (TDR-S)
- (SDR-S)
- (QDR-S)
- (FDR-S)



Units(pcs)
600

2. 'S' Type Actuator with SMD Terminal

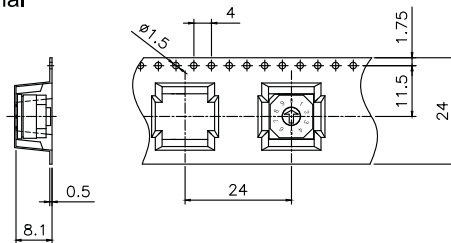
- (TSR-S)
- (SSR-S)
- (QSR-S)
- (FSR-S)



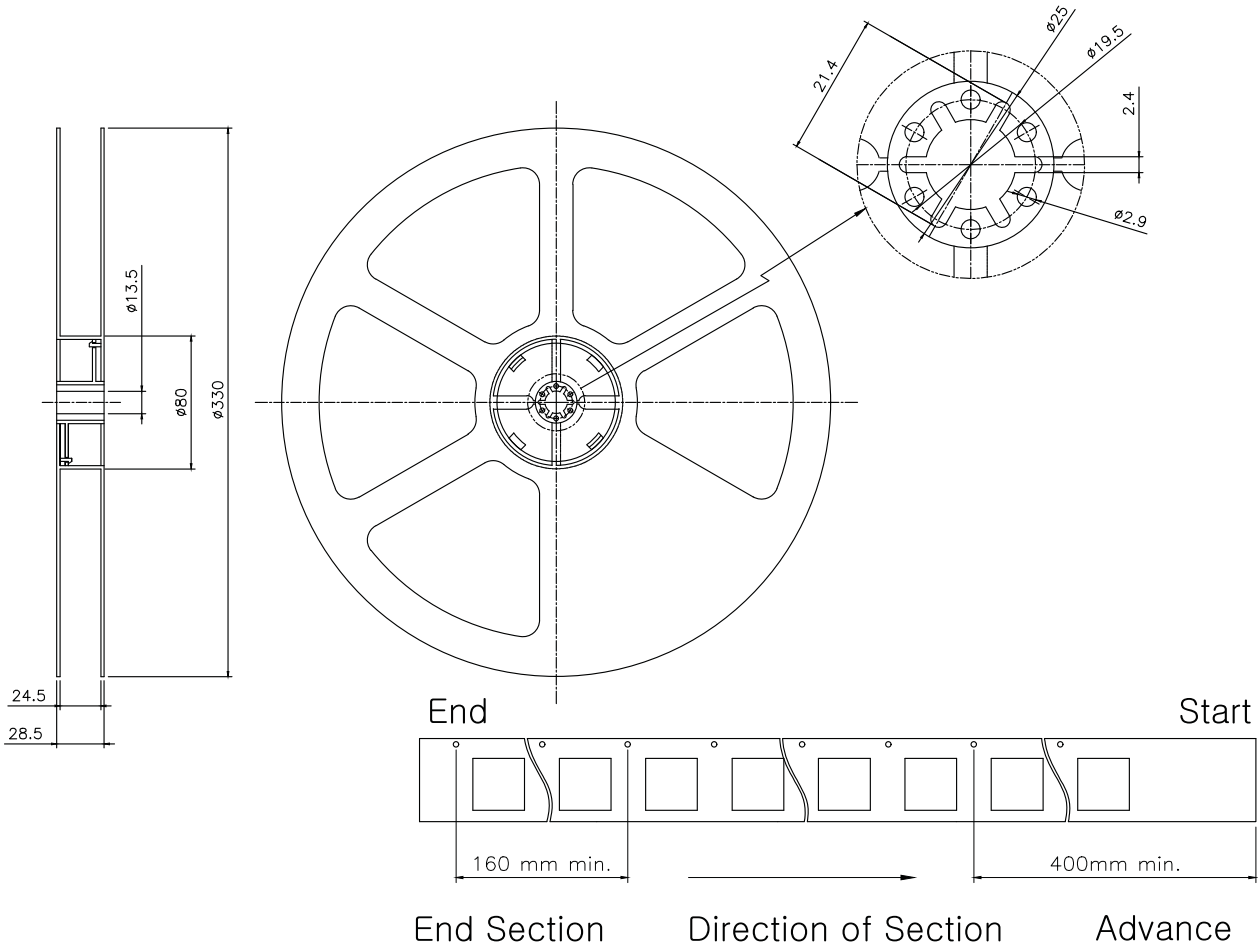
Units(pcs)
150

3. 'P' Type Actuator with SMD Terminal

- (TPR-S)
- (SPR-S)
- (QPR-S)
- (FPR-S)



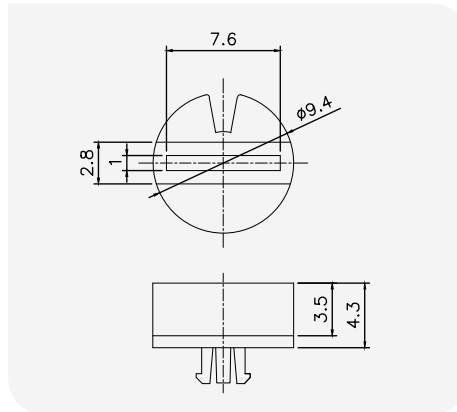
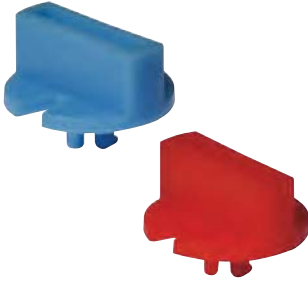
Units(pcs)
500



ROTARY DIP SWITCH ACCESSORY **RK Series**

** Applicable to only 'E' Type Actuators / Should be mounted after soldering

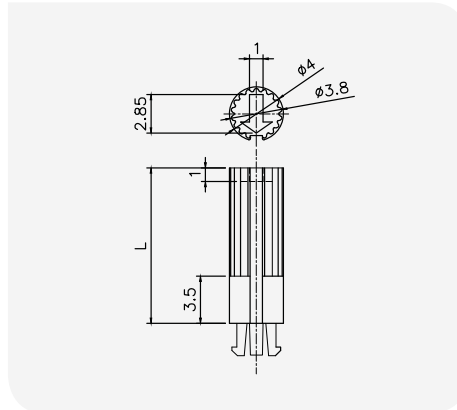
1 RK-100 Series



RK - 100

- Color**
 G : Gray
 R : Red
 K : Black
 Y : Yellow
 B : Blue
 C : Clear

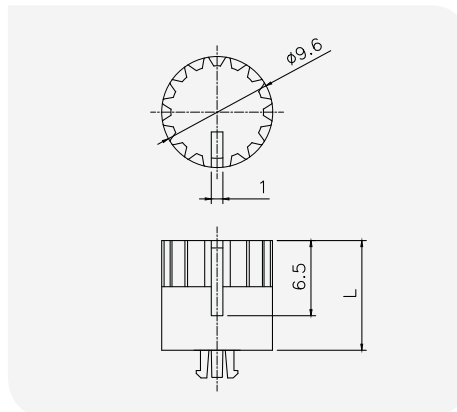
2 RK-200 Series



RK - 200

- Color**
 G : Gray
 R : Red
 K : Black
 Y : Yellow
 B : Blue
 C : Clear
- L (Length)**
 0 : 7.3
 1 : 11.6
 2 : 13.3

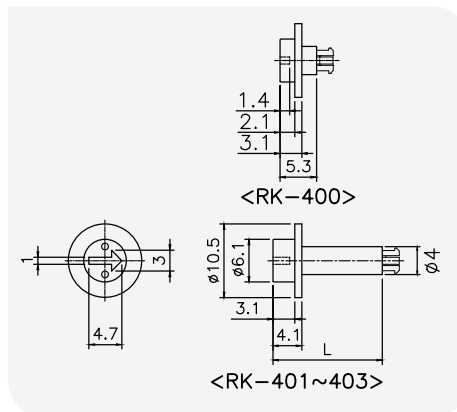
3 RK-300 Series



RK - 300

- Color**
 G : Gray
 R : Red
 K : Black
 Y : Yellow
 B : Blue
 C : Clear
- L (Length)**
 0 : 9.5
 1 : 14.5
 2 : 19.0

4 RK-400 Series



RK - 400

- Color**
 G : Gray
 R : Red
 K : Black
 Y : Yellow
 B : Blue
 C : Clear
- L (Length)**
 0 : 5.3
 1 : 15.7
 2 : 29.1
 3 : 34.4