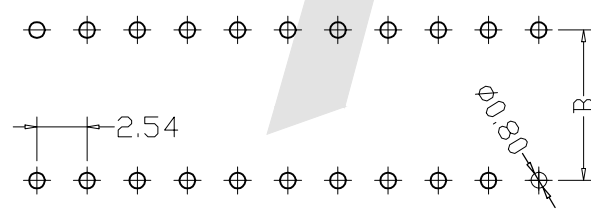
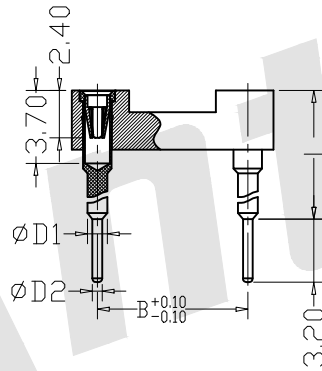
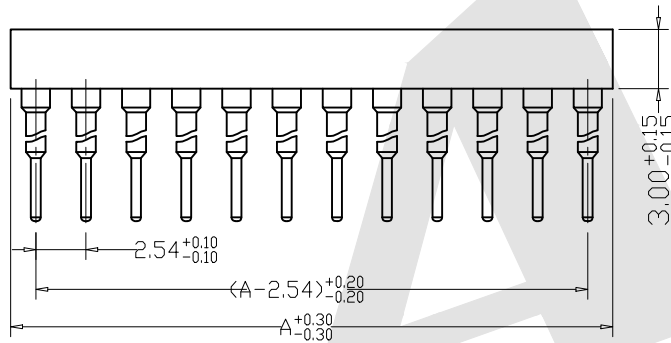
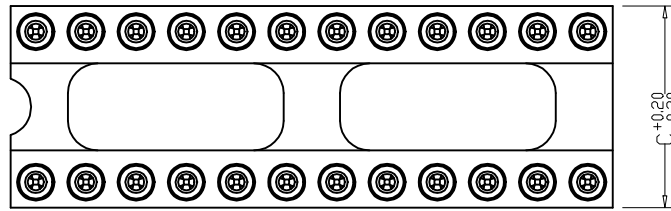


HSF



ROHS



Pin Long Code:xxx	DIM*L	D1	D2	Pin Long Code:xxx	DIM*L	D1	D2
092	6.0	0.51	1.00	152	12.0	0.51	1.00
102	7.0	0.51	1.00	162	13.0	0.51	1.00
112	8.0	0.51	1.00	182	15.0	0.51	1.00
122	9.0	0.51	1.00	212	18.0	0.51	1.00
132	10.0	0.51	1.00	252	22.0	0.51	1.00
142	11.0	0.51	0.85	362	33.0	0.51	1.18

Dimension1& Ordering Information

Type	NO.of Poles	Dimension		
		A	B	C
A1	06	7.62	7.62	10.20
A2	08	10.16	7.62	10.20
A3	10	12.70	7.62	10.20
A4	12	15.24	7.62	10.20
A5	14	17.78	7.62	10.20
A6	16	20.32	7.62	10.20
A7	18	22.86	7.62	10.20
A8	20	25.40	7.62	10.20
A9	22	27.94	7.62	10.20
A10	24	30.48	7.62	10.20
A11	28	35.56	7.62	10.20
A12	20	25.40	10.16	12.70
A13	22	27.94	10.16	12.70
A14	24	30.48	10.16	12.70
A15	28	35.56	10.16	12.70
A16	32	40.64	10.16	12.70
A17	24	30.48	15.24	17.80
A18	28	35.56	15.24	17.80
A19	32	40.64	15.24	17.80
A20	36	45.72	15.24	17.80
A21	40	50.80	15.24	17.80
A22	42	53.34	15.24	17.80
A23	48	60.96	15.24	17.80
A24	50	63.50	15.24	17.80
A25	52	66.04	15.24	17.80
A26	50	63.50	22.86	25.40
A27	52	66.04	22.86	25.40
A28	64	81.28	22.86	25.40

TECHNICAL SPECS:
 Current Rating: 1.0Amp
 Contact Resistance: 10MΩ max
 Dielectric Strength: Min 1000 V RMS
 Mechanical Life: Min 100 cycles
 Operating Temperature: -40° C to +105° C
 Sleeve: Brass CuZn36Pb3 (C36000)
 Contact Clip(4 finger): BeCu(C17200)
 Contact Plating: Au or Sn Over Ni
 Insulator Material: PPS+30%GF UL 94V-0
 06p~16P Insulators without center bar
 36p~52P Insulators with center two bar
 64P Insulators with center three bar

Ordering Code:

MIFES02 - X - X - X - X
 ① ② ③ ④ ⑤

- ① Series No:
- ② Type selection
A1 A2 A3 A4...
- ③ Pin Plating
S1: Tin 150"
S2: Tin 200"
G0: Gold flash
G1: 3u" Gold
G2: 5u" Gold
G3: 10u" Gold
G4: 15u" Gold
G5: 30u" Gold
- ④ Clip Plating
S1: Tin 150"
S1: Tin 200"
G0: Gold flash
G1: 3u" Gold
G2: 5u" Gold
G3: 10u" Gold
G4: 15u" Gold
G5: 30u" Gold
- ⑤ Packing
A: Tray
B: Bag
C: Tube
D: Tape Reel

Recommended P.C.B Layout (Top Side)
 (PCB BOARD TOLERANCE ±0.05)

Unless Otherwise specified tolerance
 X. ±0.35 X.XX: ±0.20
 X.X: ±0.25 X.XXX: ±0.15

Antenk ANTENK ELECTRONICS CO., LTD
 Http://www.antenk.com
 E-mail:sales@antenk.com

SCALE: As Shown UNIT: mm
 DRAW Mo Guo Xuan DATE 16/10/2018
 CHECK BobYang DATE 16/10/2018

TITLE: 2.54mm Dual-in-line Socket Straight
 DIP (H=3.0)



DRAWING NO: MIFES02-XXXX
 PRODUCT NO: MIFES02-XXXX

REV	DESCRIPTION	DATE
2	Change of order number	18-10-15