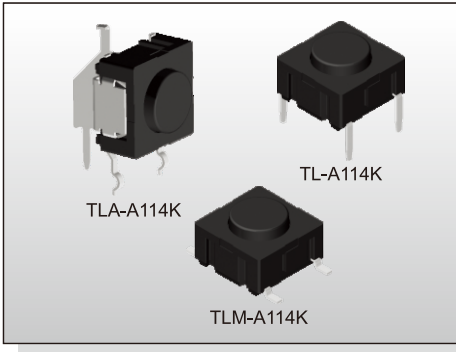


# TACT SWITCH TL(A)-A1 SERIES

10x10  
High Reliability



## FEATURES

- ✘ Sealed
- ✘ Long life of 10million
- ✘ Variety of actuator lengths

## APPLICATION

- ✘ Music instrument
- ✘ Intercom system
- ✘ Industrial

## SPECIFICATION

Contact Rating	0.5~50mA, 24V DC
Contact Resistance	30mΩ max.
Insulation Resistance	10MΩ min. 100V DC
Dielectric Strength	250V AC/1 minute
Operating Force	300±75gf
Travel	1mm
Operating Life	10,000, 000 cycles
Operating Temp.	-40°C ~ +160°C
Storage Temp.	-40°C ~ +160°C

## HOW TO ORDER

TL □ - A 1 1 4 K - Q - □

Solder Type:  
□=Through Hole  
M=S.M.T.  
A=Right Angle

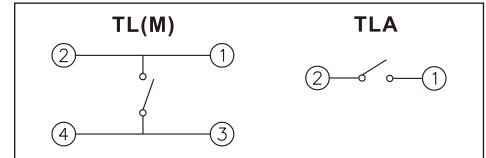
Package:  
B=Tube  
(For Through Hole Type)  
T/R=Tape & Reel(For S.M.T. Type)

Halogen Free

Button Color:  
Black

Operating Force:  
300gf

## CIRCUIT

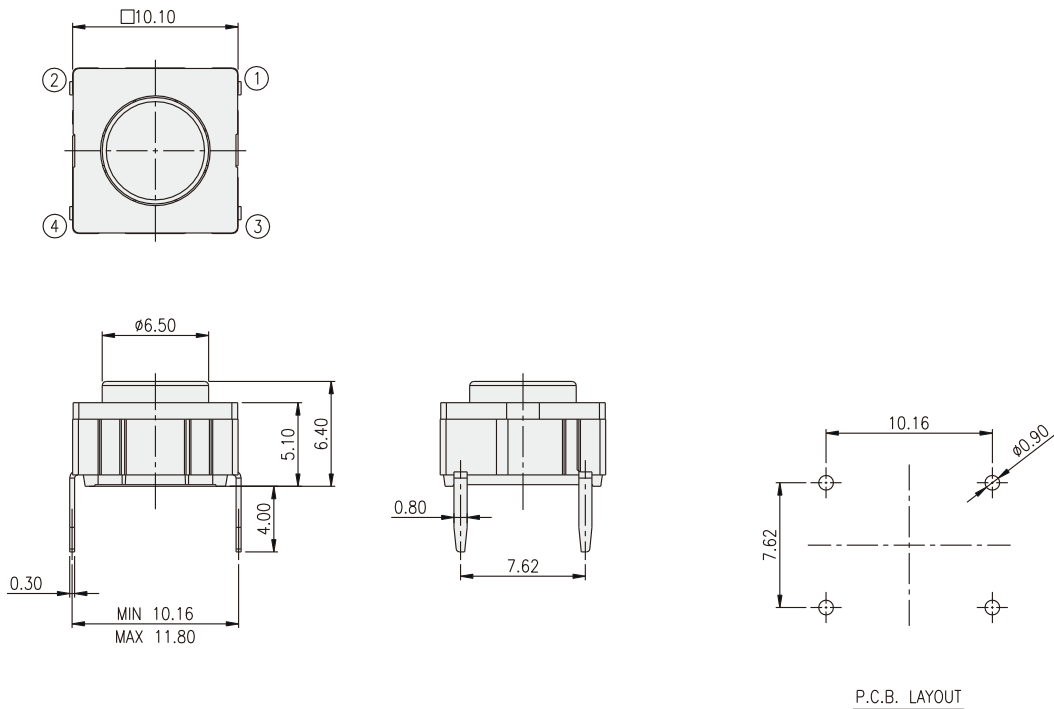


## PACKAGE

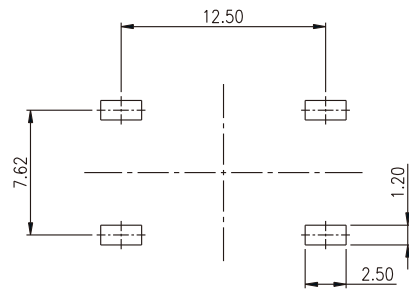
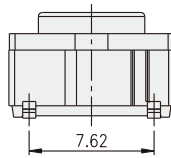
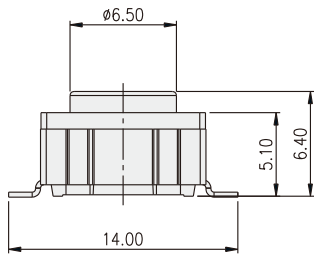
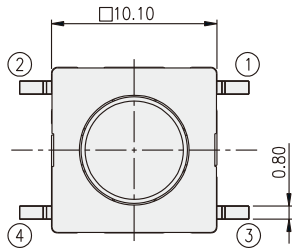
<Tube>  
TL(A): 45 pcs  
<Tape & Reel>  
TLM: 650 pcs

TACT SWITCH

## TL-A114K



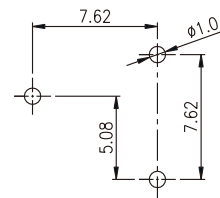
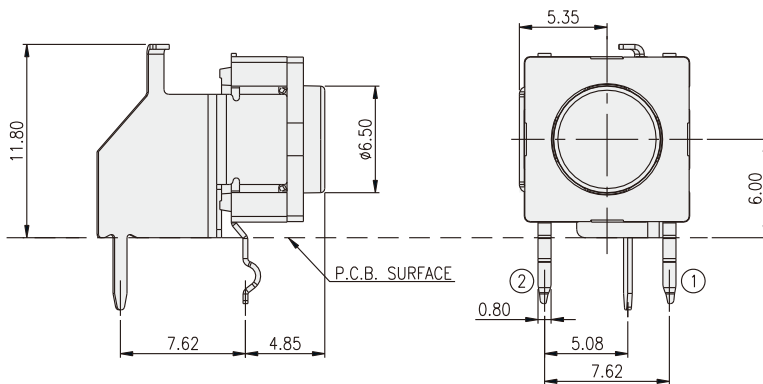
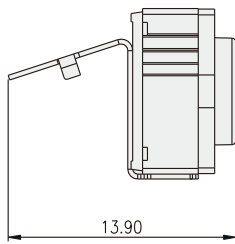
**TLM-A114K**



P.C.B. LAYOUT

TACT SWITCH

**TLA-A114K**



P.C.B. LAYOUT