

FEATURES

- ※Miniature 4.5*2.2mm
- ※Side push mid-mount type
- ※600,000 operation life cycles

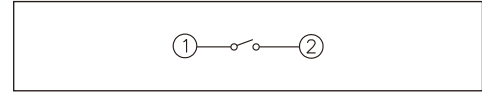
APPLICATION

- ※Smart phone
- ※Portable personal audio
- ※Digital camera
- ※3C products

SPECIFICATION

Contact Rating	50mA, 12V DC
Contact Resistance	500mΩ max.
Insulation Resistance	100MΩ min. 100V DC
Dielectric Strength	100V AC/1 minute
Operating Force	160±50gf
Travel	0.15mm
Operating Life	600,000 cycles
Operating Temp.	-30°C ~ +85°C
Storage Temp.	-40°C ~ +90°C

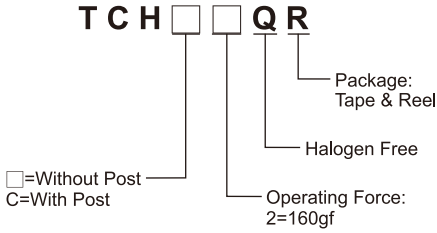
CIRCUIT



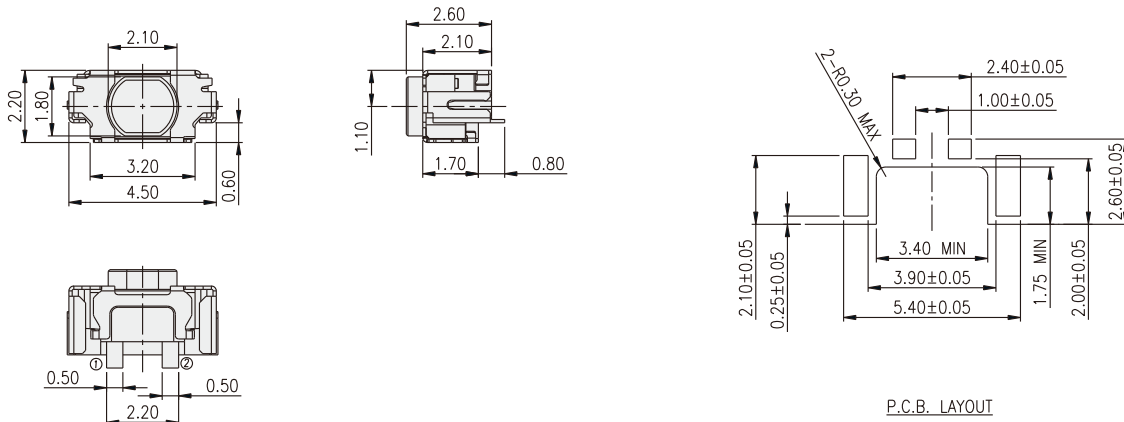
PACKAGE

<Tape & Reel>
3000 pcs

HOW TO ORDER



TCH



TCHC

