

MINI SLIDE SWITCH

NEW

NSI-20
Series



General Specification

1. **Rating :** DC 12V 0.5A~24V 0.3A
2. **Contact Resistance :** 30mΩ Max.
3. **Insulation Resistance :** Min 10,000 MΩ at DC 500V
4. **Operating Force :** 250gf ±150gf
5. **Travel :** 1.6mm
6. **Life Cycle :** 2,000 cycle(with load)

HOW TO ORDER

NSI

Type

NSI Through-Hole Type / SMD Type

—

20

Circuit

20 Switching Type

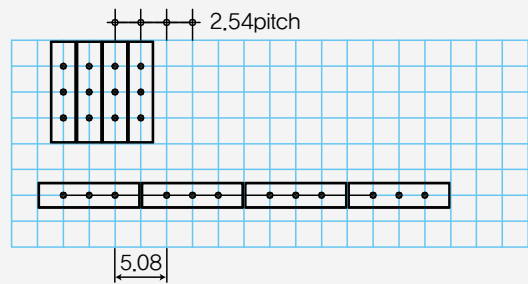


Terminal

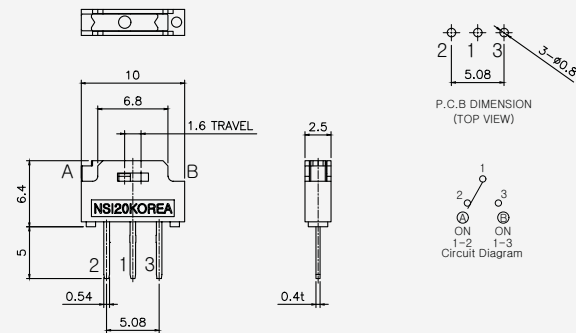
- Straight Type
- H** Angle Type
- S** SMD Type of Vertical
- HS** SMD Type of Angle

MODULAR BUILDING BLOCK

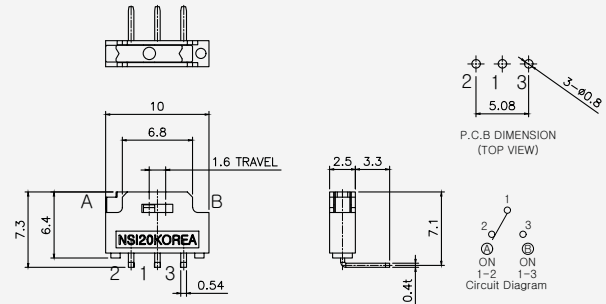
Mini Slide Switch Modules can be mounted side by side



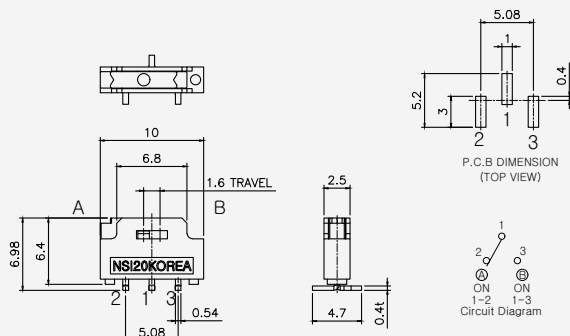
NSI-20 Type (Switching)



NSI-20H Type (Switching)



NSI-20S Type (Switching)



NSI-20HS Type (Switching)

