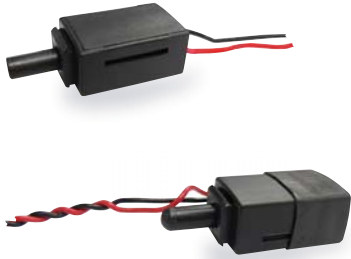


PS9 Series

Intrusion Switches



SPECIFICATIONS

CONTACT RATING: 0.4 VA max. @ 20 V AC or DC.

MECHANICAL & ELECTRICAL LIFE:

100,000 actuations min. at full load.

CONTACT RESISTANCE: 200mΩmax. initial @ 2-4VDC, 100mA .

INSULATION RESISTANCE: 100 MΩ min.

DIELECTRIC STRENGTH: 500 Vrms min. @sea level.

OPERATING TEMPERATURE: -30°C to 85°C.

MATERIALS

HOUSING: Nylon 6/6 (UL 94V-0)

ACTUATOR: Nylon 6/6 (UL 94V-0)

MOVABLE CONTACT: Copper alloy, gold plate over nickel plate.

FIXED CONTACT: Brass, gold plate over nickel plate.

WIRE: UL 3385-24 AWG.



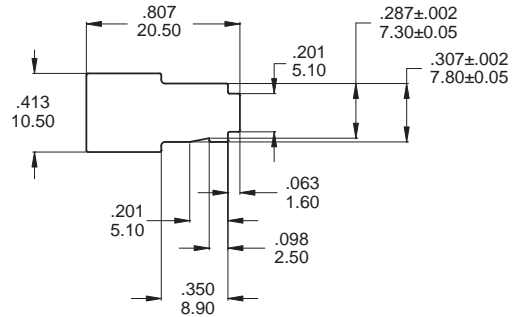
HOW TO ORDER

MODEL NO.	ACTUATOR	FUNCTION	WIRE LENGTH	HEAT SHRINK TUBE	HOUSING	JUMP
PS92						
	Actuator	Function	Wire length	Heat shrink tube	Housing	Jump
	1 10.40 high, Flat	2 ON - MOM.	120 120mm	0 No	0 No	0 No
	2 10.00 high, Round			1 Yes	1 2P	1 1.3
	3 9.50 high, Flat				2 2P Lock	2 2.3
					3 3P	
					4 3P Lock	

SWITCH FUNCTION

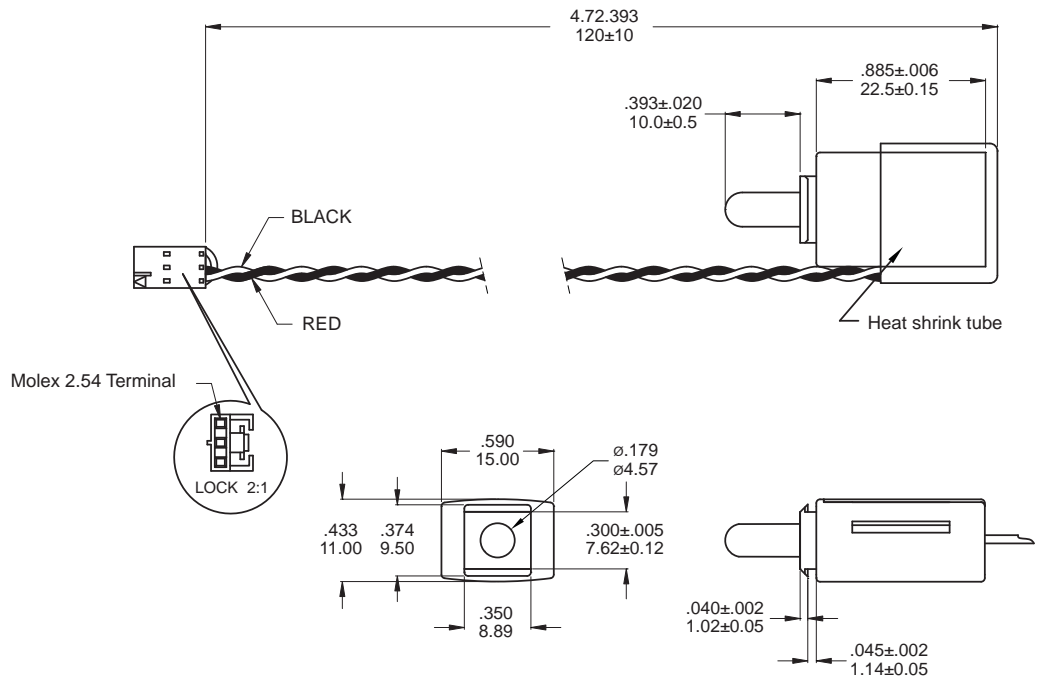
MODEL NO.	POS.1	POS.2
PAS6	ON	MOM
SCHEMATIC		

MOM=MOMENTARY



PANEL CUTOUT
(THICKNESS 1mm)

Part No. Shown : PS9222-1201-41



Part No. Shown : PS9212-1200-00

