



SPECIFICATIONS

ELECTRICAL RATING : DC 15V 5A

CONTACT RESISTANCE : 20 mΩ (initial)

INSULATION RESISTANCE : > 1000 MΩ

(500VDC between open contacts)

DIELECTRIC STRENGTH : > 1500V@ 1 minute

ELECTRICAL LIFE : 6,000 cycles

TEMPERATURE RISE AT THE TERMINAL : Max.30°C

SOLDER ABILITY OF TERMINAL : Max 350°C,3S (no pressure may be placed in the terminals when soldering by hand)

Any Cd Pb Hg etc and it's compounds is not include in this product



MATERIALS

CASE&HOUSING: Glass filled Nylon 6/6,black.

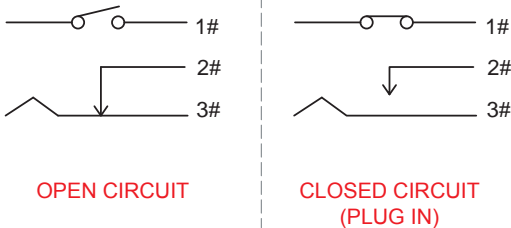
ACTUATOR : Glass filled Nylon 6/6,Black.

CONTACT : Copper alloy,silver plated.

TERMINALS : Copper alloy,silver plated.

PIN : Brass,nickel plated.

SCHEMATIC

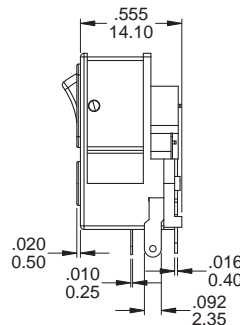
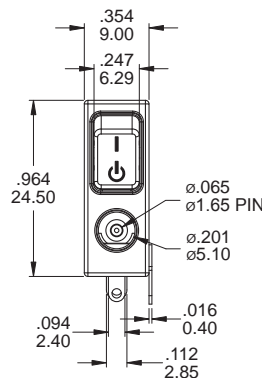


MODEL OPTIONS

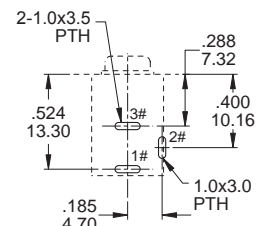


SPST

Part No. Shown : RJ-001



P.C. MOUNTING

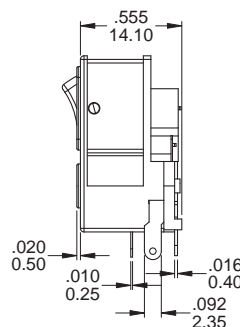
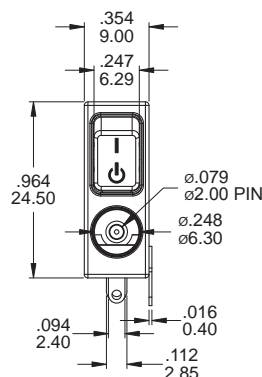


BOTTOM VIEW

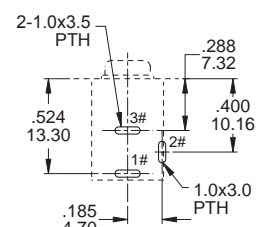


SPST

Part No. Shown : RJ-002



P.C. MOUNTING

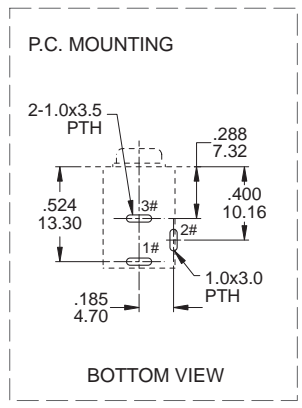
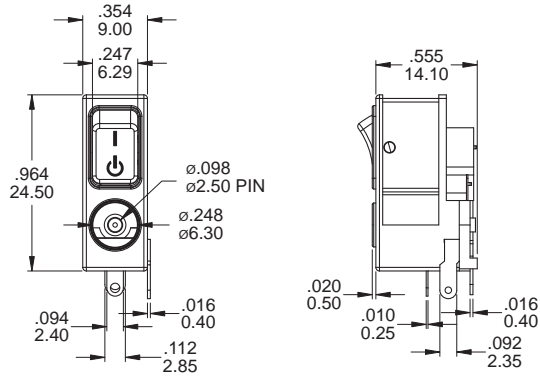


BOTTOM VIEW



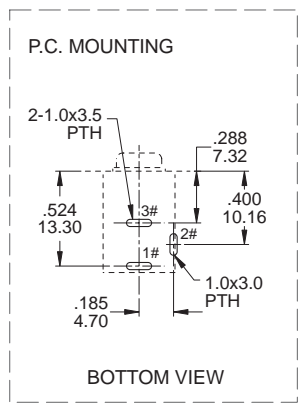
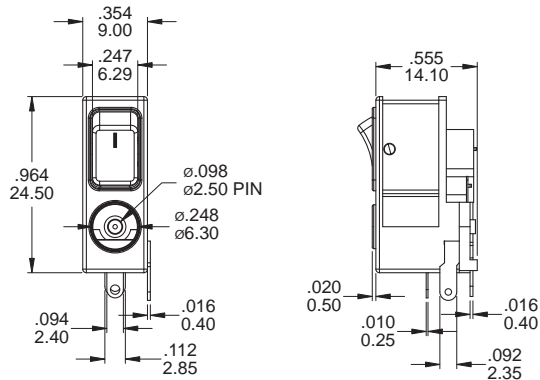
RJ Series

DC Power Jack With Rocker Switches



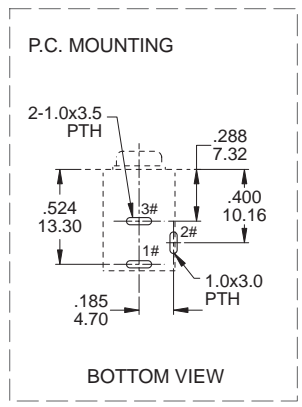
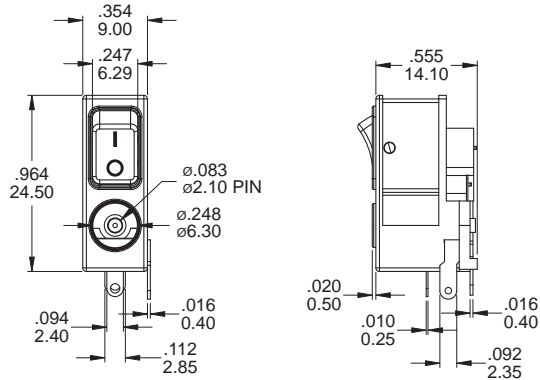
SPST

Part No. Shown : RJ-003



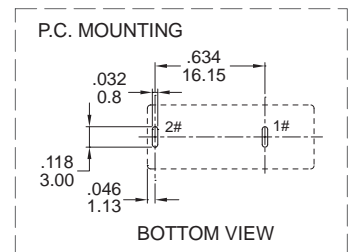
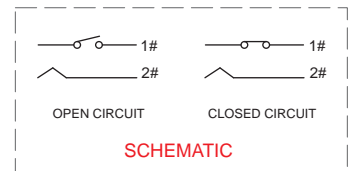
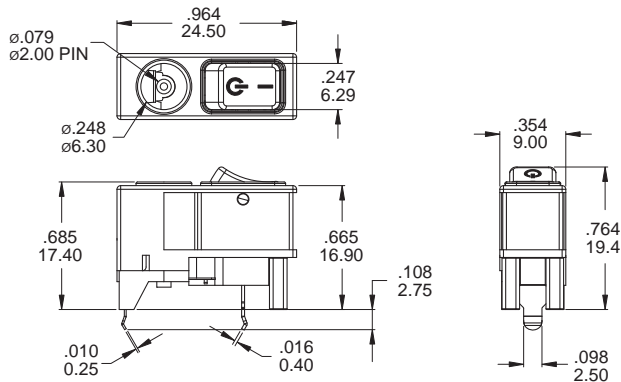
SPST

Part No. Shown : RJ-004



SPST

Part No. Shown : RJ-005



SPST

Part No. Shown : RJ-009

RJ DC Power Jack Switches

