

MTP Series

2-in-1 Switches (Push & Rotary switch)



SPECIFICATIONS

CONTACT MATERIAL : Copper over Silver.
RATING : 50mA/DC12V.(max.) (Resistive load)
OPERATING LIFE : Push:30,000 Rotary : 10,000
INSULATION RESISTANCE : 1,00MΩ
CONTACT RESISTANCE : 200mΩ MAX.
WITHSTANDING VOLTAGE: 100V AC for 1min.
OPERATING TEMPERATURE: -20°C to 70°C.
TRAVEL : ABOUT 0.55mm.(push)
OPERATION PRESSURE : Push : 3N+/-1N
 Rotary : 4.5N+/-1.5N

MATERIALS

CASE&TERMINAL: LCP&Brass, Sliver plated.
CONTACT : Stanless, Sliver plated.
ACTUATOR : LCP.
HOUSING : Stanless.
SPRING : Stanless.



HOW TO ORDER

MODEL NO. FUNCTION LED COLOR

MTP

Function

- 01 On-None-On
- 03 On-Off-On

LED Color

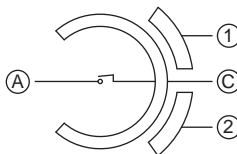
ITEM NO	COLOR
0	Without LED
1	White
3	Red
5	Yellow
6	Green
7	Blue



MTP
2-in-1 Switches

CIRCUIT / P.C.B. LAYOUT

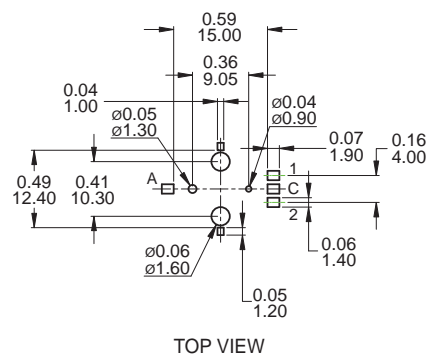
CIRCUIT



OPERATING

Push		C - A		
NO. POLES				
Travel		25°		25°
Rotary	01	C-2	NONE	C-1
	03	C-2	OFF	C-1

P.C.B. LAYOUT

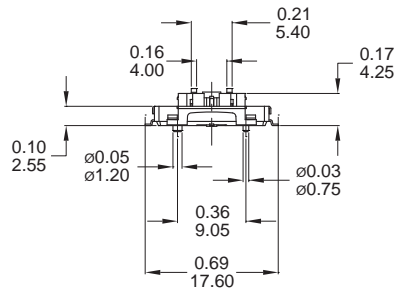
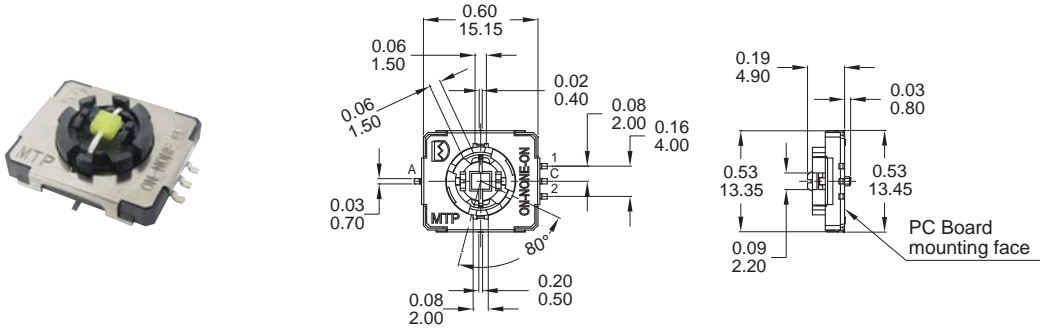


MTP Series

2-in-1 Switches (Push & Rotary switch)

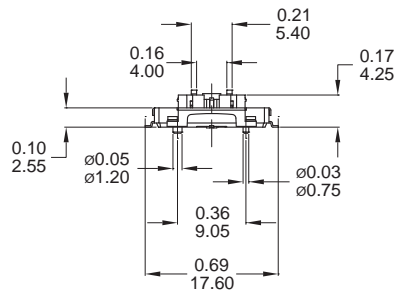
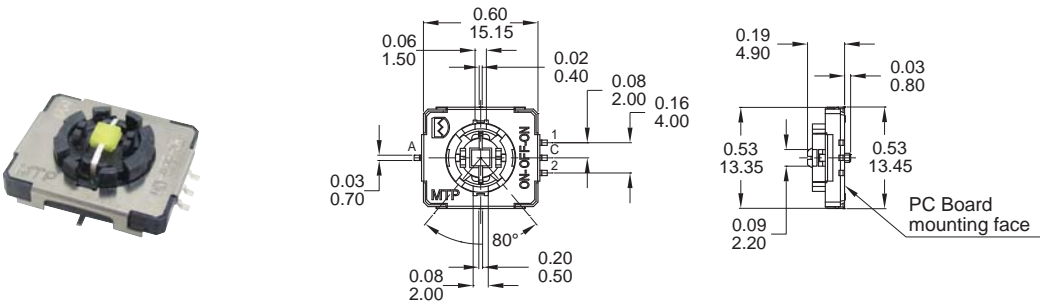
DIMENSION

01



Part No. Shown : MTP-01

03



Part No. Shown : MTP-03