



# Specific Lighting Product Data Sheet LTPL-C034UVD365

Spec No.: DS23-2016-0060

Effective Date: 07/15/2016

Revision: -

**LITE-ON DCC**

**RELEASE**

BNS-OD-FC001/A4

## Specific Lighting LTPL-C034UVD365

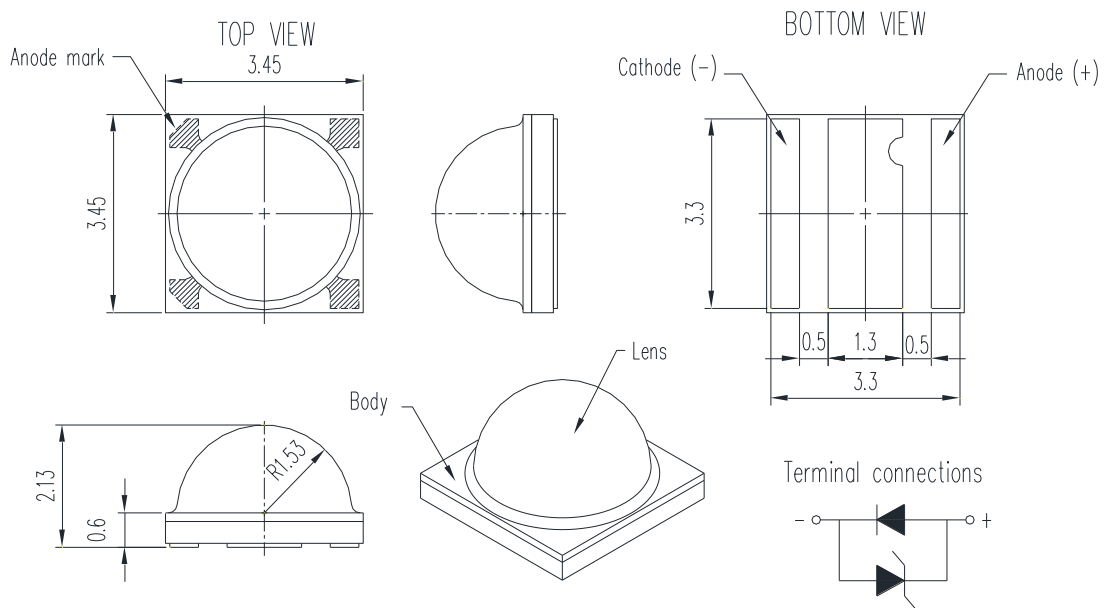
### 1. Description

The LiteON C03 UV Product series is a revolutionary, energy efficient light source for UV curing and common UV application, combining the lifetime and reliability advantages of Light Emitting Diodes with the brightness of conventional light source. It gives you design freedom, and creating a new opportunities for solid state UV light source to displace conventional UV technologies

#### Features

- I.C. compatible
- RoHS compliant and Pb free
- Lower operating costs
- Reduced maintenance costs

### 2. Outline Dimensions



#### Notes :

1. All dimensions are in millimeters and dimension tolerances are  $\pm 0.2\text{mm}$  except lens height and ceramic length / width dimension tolerance are  $\pm 0.1\text{mm}$
2. Thermal pad of the device is electrically neutral from the anode and cathode pads

**Specific Lighting  
LTPL-C034UVD365**

**3. Absolute Maximum Ratings at Ta=25°C**

Parameter	Symbol	Rating	Unit
DC Forward Current	<i>I<sub>f</sub></i>	500	mA
Power Consumption	<i>P<sub>o</sub></i>	2	W
Operating Temp Range	<i>T<sub>opr</sub></i>	-40 ~ +85	°C
Storage Temp Range	<i>T<sub>stg</sub></i>	-55 ~ +100	°C
Junction Temperature	<i>T<sub>j</sub></i>	90	°C

**Notes:**

Operating the LED under reverse bias condition long time might result in damage or failure of the component.

## Specific Lighting LTPL-C034UVD365

### 4. Electro-Optical Characteristics at Ta=25°C

Parameter	Symbol	Values		Test Condition	Unit
Forward Voltage	$V_f$	Min.	2.8	$I_f = 350\text{mA}$	V
		Typ.	4.0		
		Max.	4.4		
Radiant Flux	$\Phi_e$	Min.	320	$I_f = 350\text{mA}$	mW
		Typ.	410		
		Max	500		
Peak Wavelength	$\lambda_p$	Min.	360	$I_f = 350\text{mA}$	nm
		Max	370		
Viewing Angle	$2\theta_{1/2}$	Typ.	130	$I_f = 350\text{mA}$	°
Thermal Resistance	$R_{thjc}$	Typ	14.7	---	°C/W

**Notes:**

1. Radiant flux ( $\Phi_e$ ) is the total Radiant flux output as measured with an integrating sphere.
2. Thermal resistance (Junction to case) measurement tolerance is  $\pm 10\%$

**Specific Lighting  
LTPL-C034UVD365**

**5. Bin Code List**

Vf : Forward Voltage Spec. Table		
Vf Bin	Vf (V) @ If = 350mA	
	Min.	Max.
V0	2.8	3.2
V1	3.2	3.6
V2	3.6	4.0
V3	4.0	4.4

Forward Voltage Tolerance: +/- 0.1 V

Φe : Radiant Flux Spec. Table		
Φe Bin	Φe (mW) @ If = 350mA	
	Min.	Max.
R1	320	350
R2	350	380
R3	380	410
R4	410	440
R5	440	470
R6	470	500

Radiant Flux Tolerance: +/- 10%

Wp: Peak Wavelength Spec table		
Wp Bin	Wp (nm) @ If = 350mA	
	Min.	Max.
P3M	360	365
P3N	365	370

Peak Wavelength Tolerance: +/- 3nm

Notes:

1. Bin classification code is marked on each packing bag.
2. If there is any special or limited bin request, please contact with LiteOn's sales

**Specific Lighting  
LTPL-C034UVD365**

**6. Typical Electrical / Optical Characteristics Curves**

(25°C Ambient Temperature Unless Otherwise Noted)

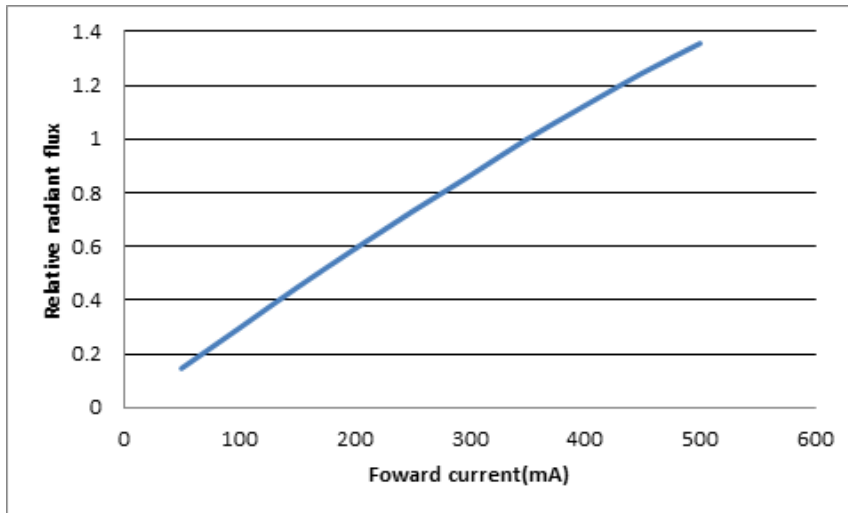


Fig 1. Relative Radiant Flux vs. Forward Current

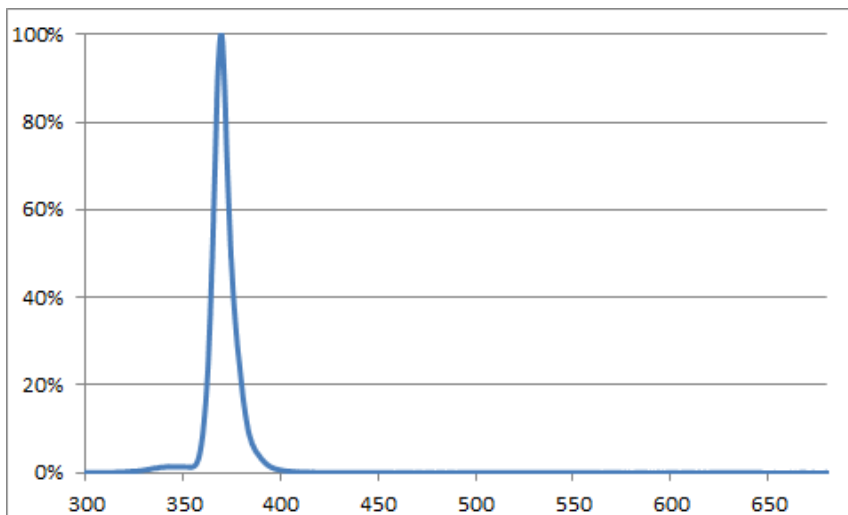


Fig 2. Relative Spectral Distribution

**Specific Lighting  
LTPL-C034UVD365**

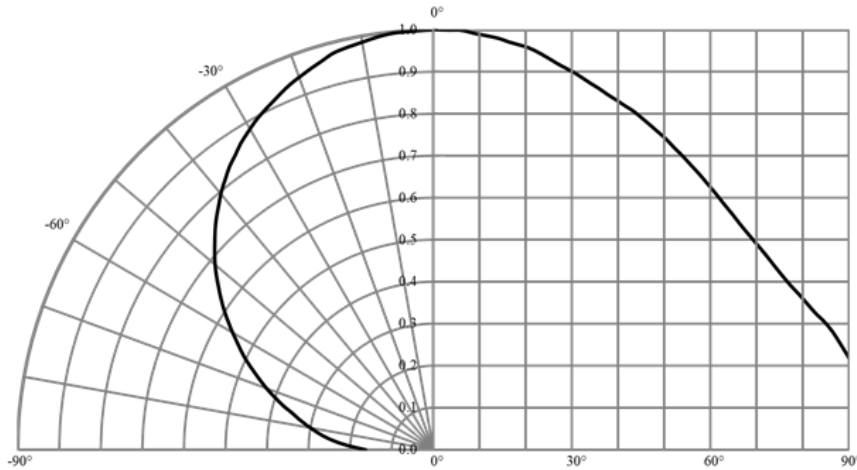


Fig 3. Radiation Characteristics

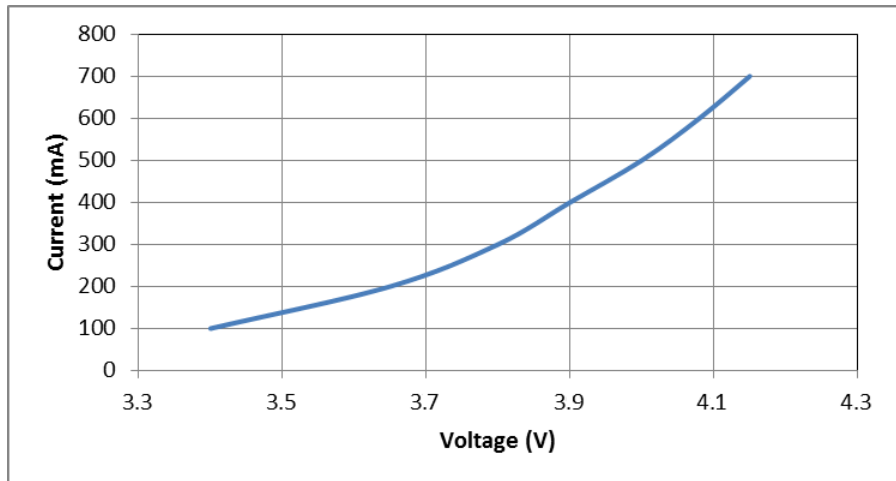


Fig 4. Forward Current vs. Forward Voltage

**Specific Lighting  
LTPL-C034UVD365**

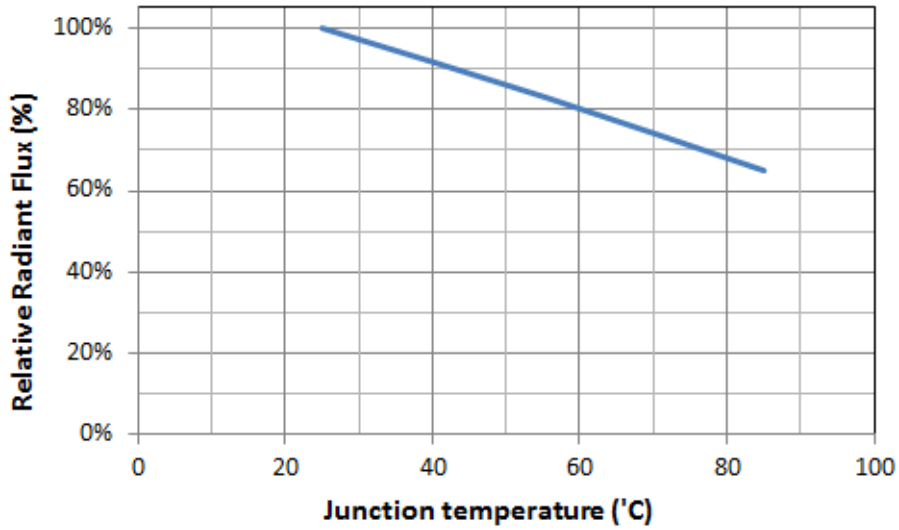


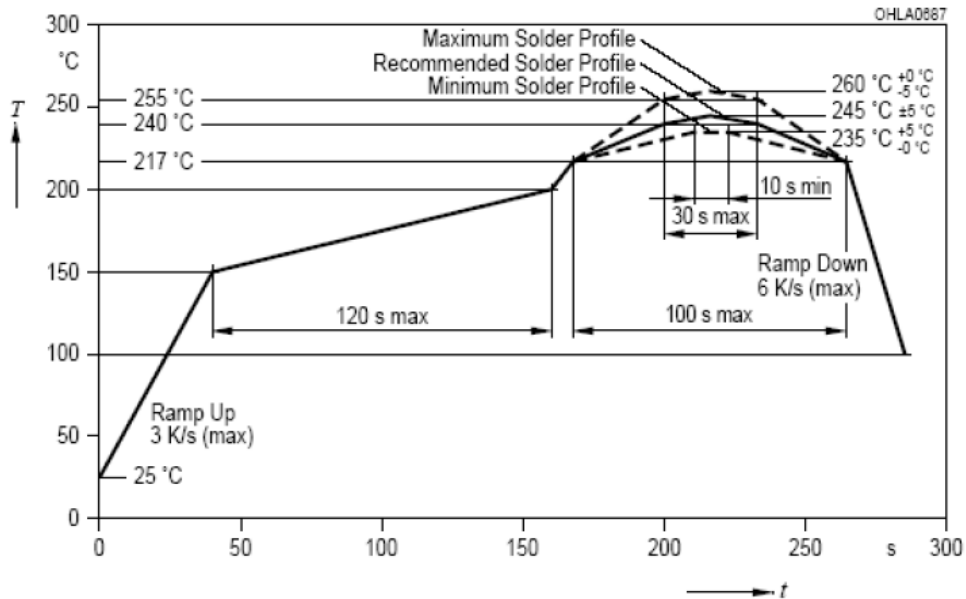
Fig.5 Relative Radiant Flux vs Junction Temperature



## Specific Lighting LTPL-C034UVD365

### 8. User Guide

#### Suggested Reflow Soldering Characteristics

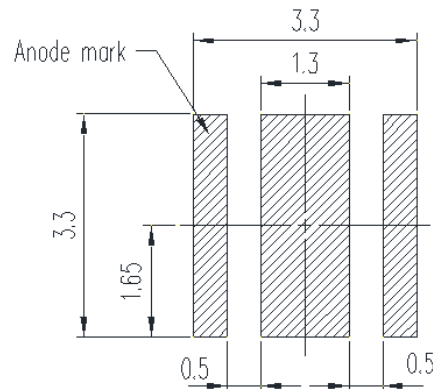


#### Notes:

1. All temperatures refer to topside of the package, measured on the package body surface.
2. The soldering profile could be further referred to different soldering grease material characteristic. The grease vendor will provide this information.
3. A rapid-rate process is not recommended for the LEDs cooling down from the peak temperature.
4. Although the recommended reflow conditions are specified above, the reflow or hand soldering condition at the lowest possible temperature is desirable for the LEDs.
5. LiteOn cannot make a guarantee on the LEDs which have been already assembled using the dip soldering method.

## Specific Lighting LTPL-C034UVD365

### Recommend Printed Circuit Board Attachment Pad

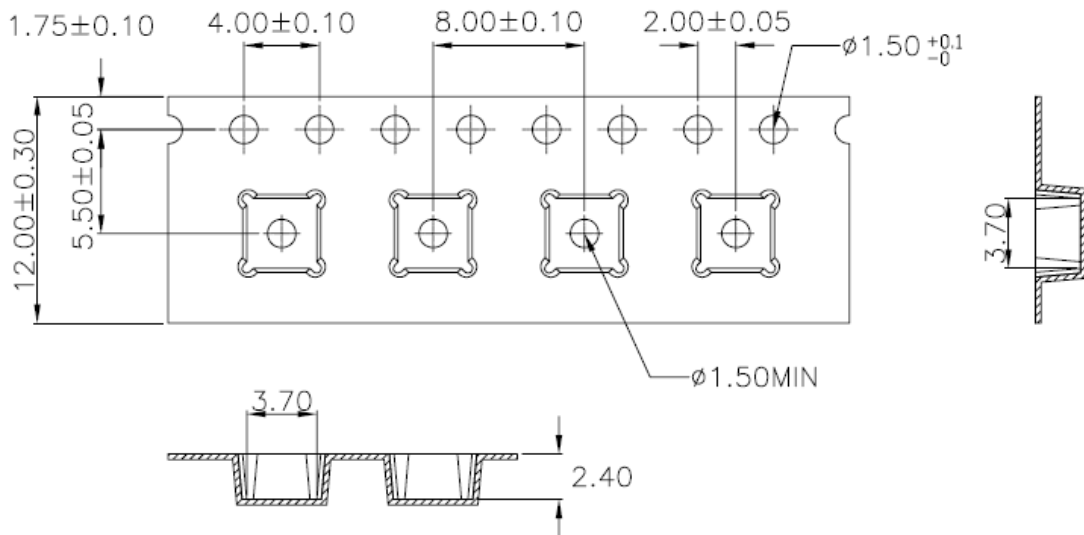


#### Notes:

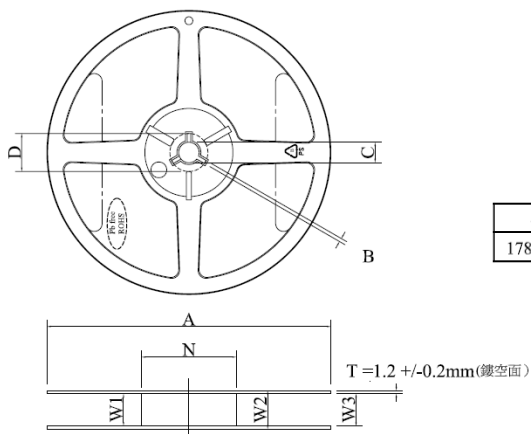
1. The LEDs can be soldered using the reflow soldering or hand soldering method. The recommended hand soldering condition is 300°C max. and 2secs max. only once, and the operation of reflow soldering is only up to three times at maximum.
2. All temperatures refer to topside of the package, measured on the package body surface.
3. The soldering profile could be further referred to different soldering grease material characteristic. The grease vendor will provide this information.
4. A rapid-rate process is not recommended for the LEDs cooling down from the peak temperature.
5. Although the recommended reflow conditions are specified above, the reflow or hand soldering condition at the lowest possible temperature is desirable for the LEDs.
6. LiteOn cannot make a guarantee on the LEDs which have been already assembled using the dip soldering method.

## Specific Lighting LTPL-C034UVD365

### Package Dimensions of Tape



### Package Dimensions of Reel



A	N	W1	W2	W3	D	B	C
178±1.0	60±1.5	12.4 <sup>+2.0</sup> <sub>-4.0</sub>	15.0±1.0	> 12	21.0 <sup>+0.8</sup>	2.2 <sup>+0.5</sup>	13.0 <sup>+0.5</sup> <sub>-0.2</sub>

#### Notes:

1. Empty component pockets sealed with top cover tape.
2. 7 inch reel maximum 500 pcs per reel.
3. Minimum packing quantity is 100 pieces for remainders.
4. The maximum number of consecutive missing lamps is two.
5. In accordance with EIA-481-1-B specifications.

## Specific Lighting LTPL-C034UVD365

### 9. Cautions

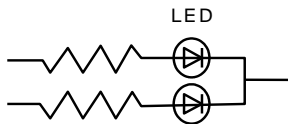
#### Cleaning

Use alcohol-based cleaning solvents such as isopropyl alcohol to clean the LED if necessary.

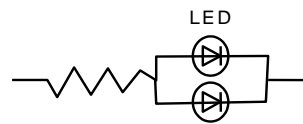
Do not use unspecified chemical liquid to clean LED, it could harm the package.

#### Drive Method

An LED is a current-operated device. In order to ensure intensity uniformity on multiple LEDs connected in parallel in an application, it is recommended that a current limiting resistor be incorporated in the drive circuit, in series with each LED as shown in Circuit below.



Circuit model A



Circuit model B

(A) Recommended circuit.

(B) The brightness of each LED might appear different due to the differences in the I-V characteristics of those LEDs.

© This LED should be used under forward current, particularly not used under continuous reverse current to avoid the damage to LED.

The electrode pads are plated with gold, but it is still not recommended to the use under any of the following conditions, please confirm the performance and reliability are well enough if you use it under any of the following conditions

- Do not use sulfur-containing materials in commercial products including the materials such as seals and adhesives that may contain sulfur.
- Do not put this product in a place with a lot of moisture (over 85% relative humidity), dew condensation, briny air, and corrosive gas (Cl, H<sub>2</sub>S, NH<sub>3</sub>, SO<sub>2</sub>, NO<sub>x</sub>, etc.).

#### Manual Handling Remark

The LED should only be picked up by making contact with the sides of the LED body. It should not put any pressure on the lens either by finger or any hand tool. Do not puncture or push the lens.

## Specific Lighting LTPL-C034UVD365

### ESD (Electrostatic Discharge)

Static Electricity or power surge will damage the LED. Suggestions to prevent ESD damage:

- Use a conductive wrist band or anti-electrostatic glove when handling these LEDs.
- All devices, equipment, and machinery must be properly grounded.
- Work tables, storage racks, etc. should be properly grounded.
- Use ion blower to neutralize the static charge which might have built up on surface of the LED's plastic lens as a result of friction between LEDs during storage and handling.

ESD-damaged LEDs will exhibit abnormal characteristics such as high reverse leakage current, low forward voltage, or "no light up" at low currents. To verify for ESD damage, check for "light up" and  $V_F$  of the suspect LEDs at low currents. The  $V_F$  of "good" LEDs should be > [2.0V@0.5mA](#).

#### Training and Certification

1. Working area is ESD-certified.
2. Training records and re-certification dates monitored.

#### Static-Safe Workstation & Work Areas

1. Static-safe working stations or work-areas have ESD signs.
2. All surfaces and objects at all static-safe workstation and within 1 ft measure less than 100V.
3. All ionizer activated, positioned towards the units.
4. Each work surface mats grounding is good.

#### Personnel Grounding

1. Every person (including visitors) handling ESD sensitive (ESDS) items wear wrist strap, heel strap or conductive shoes with conductive flooring.
2. If conductive footwear used, conductive flooring also present.
3. Garments, hairs or anything closer than 1 ft to ESD items measure less than 100V.
4. The wrist strap or heel strap/conductive shoes are checked daily and result recorded.
5. All wrist strap or heel strap checkers calibration up to date.

#### Device Handling

1. Each ESDS items identified by EIA-471 labels on item or packaging..
2. No static charge generators (e.g. plastics) inside shielding containers with ESDS items.
3. All flexible conductive and dissipative package materials are inspected before reuse or recycles

# Specific Lighting LTPL-C034UVD365

### Storage

This product is qualified as Moisture sensitive Level 3 per JEDEC J-STD-020 Precaution when handling this moisture sensitive product is important to ensure the reliability of the product.

The package is sealed:

The LEDs should be stored at 30°C or less and 85%RH or less. And the LEDs are limited to use within one year, while the LEDs is packed in moisture-proof package with the desiccants inside.

The package is opened:

The LEDs should be stored at 30°C or less and 60%RH or less. The LEDs are limited to solder process within 168hrs. If the Humidity Indicator shows the pink color in 10% even higher or exceed the storage limiting time since opened, we recommended to baking LEDs at 60°C at least 24hours before solder. To seal the remainder LEDs return to package, it's recommended to be with workable desiccants in original package.

### Safety

**Do NOT** directly look at the UV light from LED or optical instrument because it is harmful to human eyes. And it is recommended to use UV goggles protective glasses for avoiding eye damage.

**Specific Lighting  
LTPL-C034UVD365**

**10. Datasheet Version:**

Version	Date	Owner	Change Item
1	2016/06/21	ChunChieh	Preliminary specification