



## LM833

CMOS IC

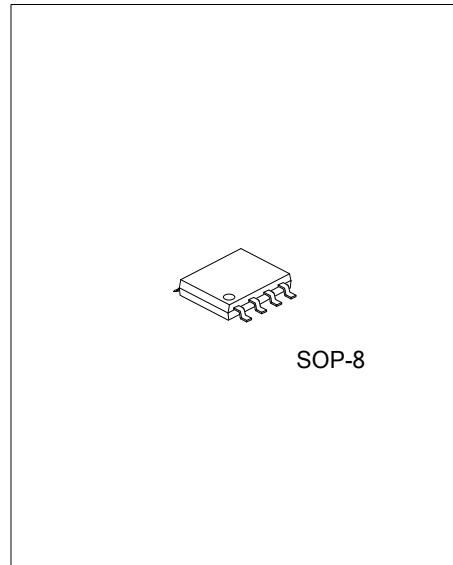
### DUAL OPERATIONAL AND LOW VOLTAGE NOISE AMPLIFIER

#### DESCRIPTION

The UTC **LM833** is integrated circuit amplifiers which combine dual operational and low voltage noise ( $4.5nV/\sqrt{Hz}$ ). It is particularly suited to audio applications.

It offers excellent phase/gain margins and a very low distortion (0.002%).

In addition, the UTC **LM833** has high frequency performances (15 MHz gain bandwidth product, 7V/ $\mu$ s slew rate).



SOP-8

#### FEATURES

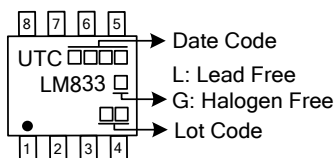
- \* High slew rate: 7V/ $\mu$ s
- \* High gain bandwidth product: 15MHz
- \* Excellent frequency stability
- \* Low distortion: 0.002%
- \* Low voltage noise: 4.5nV/ $\sqrt{Hz}$

#### ORDERING INFORMATION

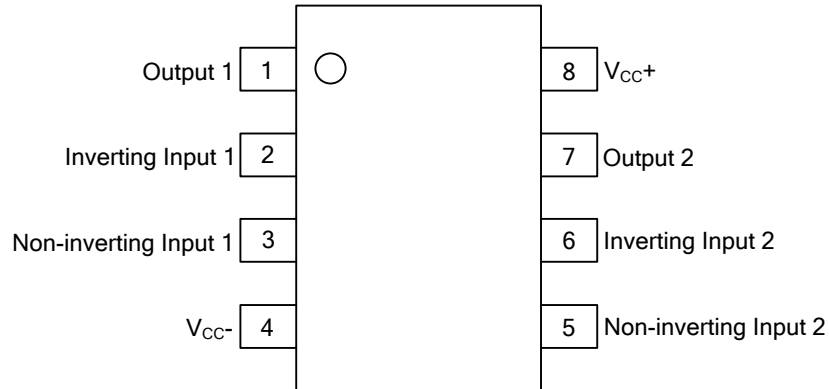
Ordering Number		Package	Packing
Lead Free	Halogen Free		
LM833L-S08-R	LM833G-S08-R	SOP-8	Tape Reel

<p>LM833G-S08-R</p> <p>(1) Packing Type</p> <p>(2) Package Type</p> <p>(3) Green Package</p>	<p>(1) R: Tape Reel</p> <p>(2) S08: SOP-8</p> <p>(3) G: Halogen Free and Lead Free, L: Lead Free</p>
--	--

#### MARKING



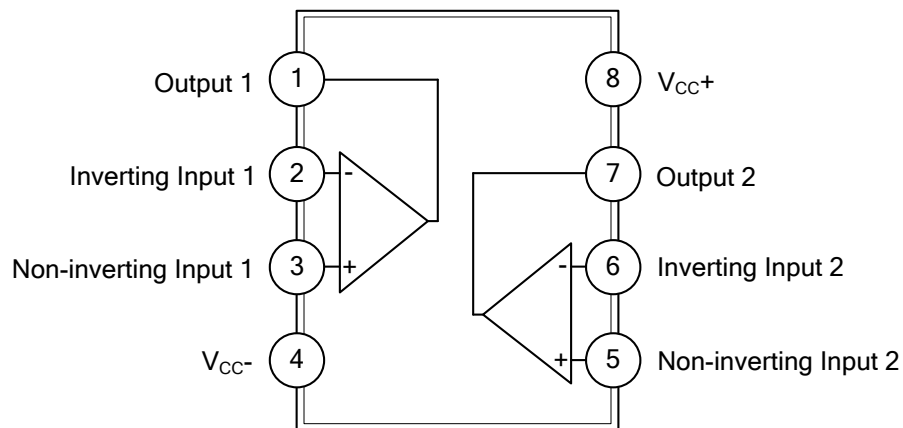
## ■ PIN CONFIGURATION



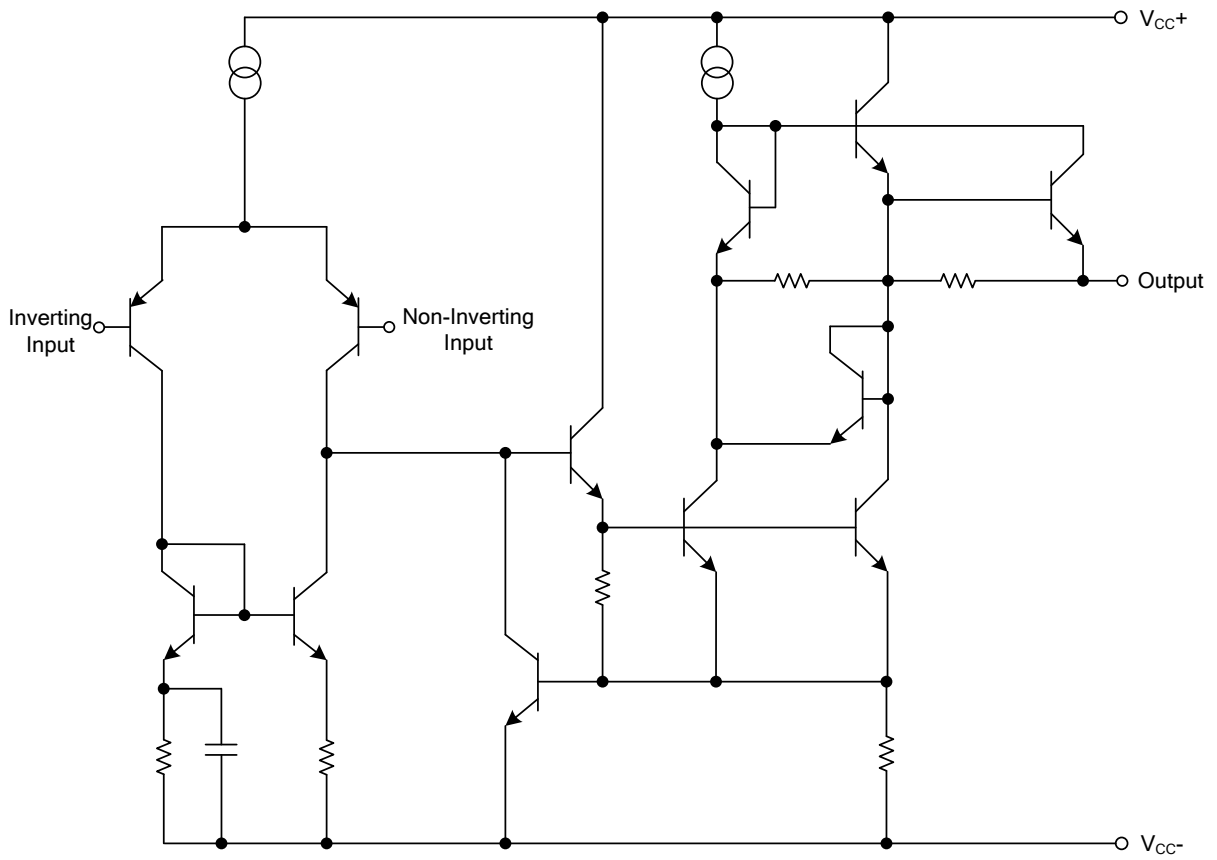
## ■ PIN DESCRIPTION

PIN NO.	PIN NAME	DESCRIPTION
1	Output 1	The output of channel 1
2	Inverting Input 1	The inverting input of channel 1
3	Non-inverting Input 1	The non-inverting input of channel 1
4	V <sub>CC-</sub>	Power supply
5	Non-inverting Input 2	The non-inverting input of channel 2
6	Inverting Input 2	The inverting input of channel 2
7	Output 2	The output of channel 2
8	V <sub>CC+</sub>	Power supply

## ■ BLOCK DIAGRAM



## ■ SCHEMATIC DIAGRAM



## ■ ABSOLUTE MAXIMUM RATING

PARAMETER	SYMBOL	RATINGS	UNIT
Supply Voltage	$V_{CC}$	$\pm 18$ or $+36$	V
Differential Input Voltage (Note 1)	$V_{ID}$	$\pm 30$	V
Input Voltage (Note 1)	$V_{IN}$	$\pm 15$	V
Maximum Power Dissipation (Note 2)	$P_D$	500	mW
Junction Temperature	$T_J$	+150	°C
Storage Temperature	$T_{STG}$	-65 ~ +150	°C

Notes: 1. Either or both input voltages must not exceed the magnitude of  $V_{CC+}$  or  $V_{CC-}$ .

2. Power dissipation must be considered to ensure maximum junction temperature ( $T_J$ ) is not exceeded.

## ■ OPERATING CONDITIONS

PARAMETER	SYMBOL	VALUE	UNIT
Supply Voltage	$V_{CC}$	$\pm 2.5$ ~ $\pm 15$	V
Operating Free-Air Temperature Range	$T_{OPER}$	-40 ~ +105	°C

## ■ ELECTRICAL CHARACTERISTICS

( $V_{CC+}=+15V$ ,  $V_{CC-}=-15V$ ,  $T_{AMB}=25^\circ C$ (unless otherwise specified))

PARAMETER	SYMBOL	TEST CONDITIONS	MIN	TYP	MAX	UNIT	
Input Offset Voltage	$V_{IO}$	$R_S=10\Omega$ , $V_O=0V$ , $V_{IC}=0V$		0.3	5	mV	
Input Offset Voltage Drift	$DV_{IO}$	$R_S=10\Omega$ , $V_O=0V$ , $T_{MIN} \leq T_{AMB} \leq T_{MAX}$		2		$\mu V/^\circ C$	
Input Offset Current	$I_{IO}$	$V_O=0V$ , $V_{IC}=0V$		25	200	nA	
Input Bias Current	$I_{IB}$	$V_O=0V$ , $V_{IC}=0V$		500	1000	nA	
Input Common Mode Voltage Range	$V_{ICM}$		$\pm 12$	$\pm 14$		V	
Large Signal Voltage Gain	$A_{VD}$	$R_L=2\Omega$ , $V_O=\pm 10V$	90	100		dB	
Output Voltage Swing	$\pm V_{OPP}$	$V_{ID}=\pm 1V$	$R_L=2.0k\Omega$	10	13.7		V
			$R_L=2.0k\Omega$		-14	-10	V
			$R_L=10k\Omega$	12	13.9		V
			$R_L=10k\Omega$		-14.4	-12	V
Common-Mode Rejection Ratio	CMR	$V_{IC}=\pm 13V$	80	100		dB	
Supply Voltage Rejection Ratio	SVR	$V_{CC+}/V_{CC-}=\pm 15V/-15V \sim +5V/-5V$	80	105		dB	
Supply Current	$I_{CC}$	$V_O=0V$ , all amplifiers		4	8	mA	
Slew Rate	SR	$V_I=-10V \sim +10V$ , $R_L=2k\Omega$ , $A_V=+1$	5	7		V/ $\mu s$	
Gain Bandwidth Product	GBW	$R_L=2k\Omega$ , $C_L=100pF$ , $f=100kHz$	10	15		MHz	
Unity Gain Bandwidth	B	open loop		9		MHz	
Phase Margin	$\phi_m$	$R_L=2k\Omega$		60		Degrees	
Equivalent Input Noise Voltage	$e_N$	$R_S=100\Omega$ , $f=1kHz$		4.5		$nV/\sqrt{Hz}$	
Equivalent Input Noise Current	$i_N$	$f=1kHz$		0.5		$pA/\sqrt{Hz}$	
Total Harmonic Distortion	THD	$R_L=2k\Omega$ , $f=20Hz \sim f=20kHz$ , $V_O=3V_{RMS}$ , $A_V=+1$		0.002		%	
Channel Separation	$V_{O1}/V_{O2}$	$f=20Hz \sim f=20kHz$		120		dB	
Full Power Bandwidth	PBW	$V_O=27V_{PP}$ , $R_L=2k\Omega$ , $THD \leq 1\%$		120		kHz	

UTC assumes no responsibility for equipment failures that result from using products at values that exceed, even momentarily, rated values (such as maximum ratings, operating condition ranges, or other parameters) listed in products specifications of any and all UTC products described or contained herein. UTC products are not designed for use in life support appliances, devices or systems where malfunction of these products can be reasonably expected to result in personal injury. Reproduction in whole or in part is prohibited without the prior written consent of the copyright owner. UTC reserves the right to make changes to information published in this document, including without limitation specifications and product descriptions, at any time and without notice. This document supersedes and replaces all information supplied prior to the publication hereof.