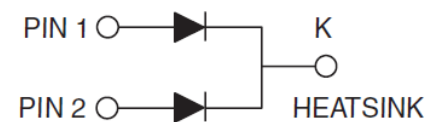
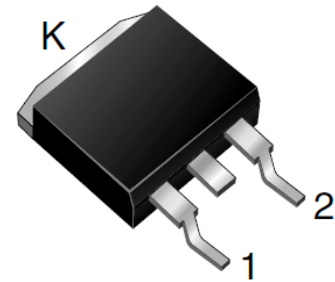


Product Specification

GOODARK Type
MBRB10100CT

Construction : Schottky Barrier Rectifier
Application : For General Purpose
(Manufacturer) :
Suzhou Goodark Electronics Co.,Ltd
Prepared on May. 10th, 2011
Prepared: R & D Department
Approva: QRA Department



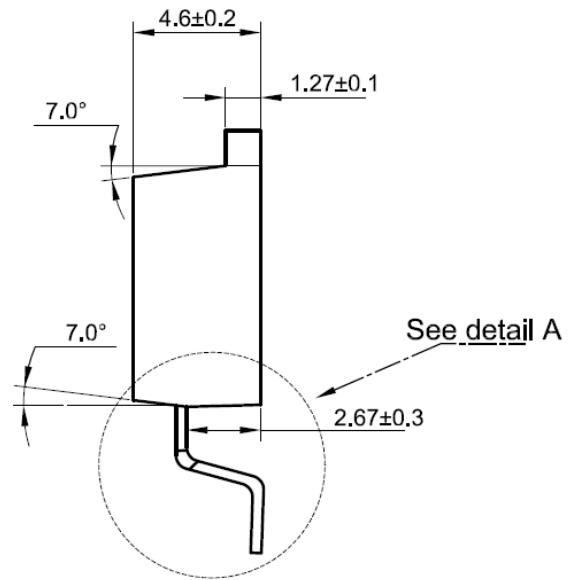
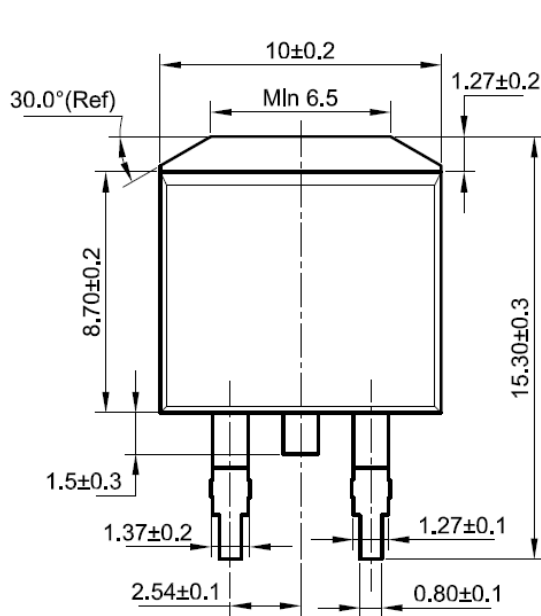
SCHOTTKY BARRIER RECTIFIER
10 AMPERES
100 VOLTS

CONTENTS

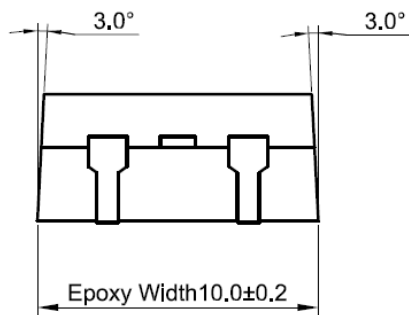
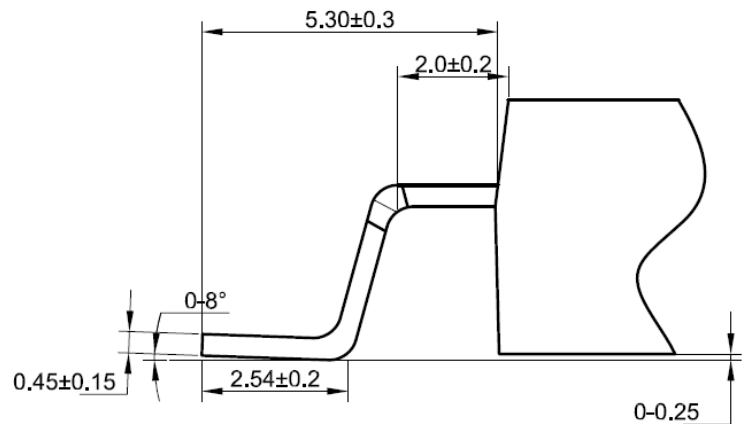
1. Package Outline
2. Marking
3. Features& Mechanical Characteristics
4. Maximum Ratings and Electrical Characteristics
5. Rating and characteristic Curves
6. Packing Specification PACKAGING SPECIFICATION
7. Description of Box Label

1. Package Outline (TO263)

UNIT:mm

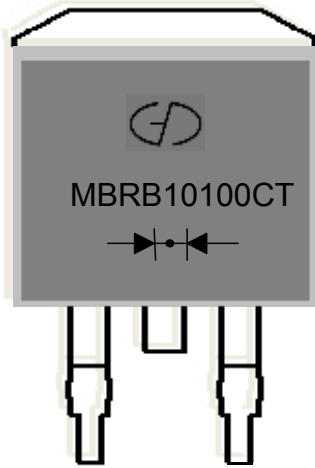


Detail A



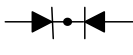
Lead Frame Material : Copper Plating: Pure Tin Plating

2.MARKING



1. Part Name : MBRB10100CT

2. Logo Mark: 

3. Polarity: 



3.Features& Mechanical Characteristics

Features

- Plastic package has underwriters Laboratory Flammability Classification 94V-0
- For surface mounted application
- Metal of silicon rectifier, majority carrier conduction
- Low forward voltage, high efficiency
- Guarding for over voltage protection
- For use in low voltage, high frequency inverters,
- Free wheeling, and polarity protection applications

Mechanical Characteristics

- Case: Epoxy, Molded
- Weight: 1.4grams (approximately)
- Finish: All External Surfaces Corrosion Resistant and Terminal Leads are Readily Solderable
- Lead Temperature for Soldering Purposes: 260°C Max.for10 sec
- Shipped 50 units per plastic tube or tape reel packing 800/reel

4.Maximum Ratings and Electrical Characteristics

| MAXIMUM RATINGS and ELECTRICAL CHARACTERISTICS(TC=25°C unless otherwise moted) | | | | | |
|---|-----------------|---------------------|--------|--------------|----------|
| PARAMETER | TEST CONDITIONS | | SYMBOL | MBRB10100CT | UNIT |
| Maximum repetitive peak reverse voltage | | | VRRM | 100 | V |
| Working peak reverse voltage | | | VRWM | 100 | V |
| Maximum DC blocking voltage | | | VDC | 100 | V |
| Maximum average forward rectified current at Tc=105°C total device per diode | | | IF(AV) | 10 5 | A |
| Peak forward surge current 8.3ms single half sine-wave superimposed on rated load per diode | | | IFSM | 125 | A |
| Peak repetitive reverse current per leg at tp=2.0us , 1KHz | | | IRRM | 0.5 | A |
| Voltage rate of change (rated VR) | | | DV/dt | 10000 | V/us |
| Operating junction temperature range | | | TJ | -55 to +150 | °C |
| Storage temperature range | | | TSTG | -55 to +150 | °C |
| Maximum instantaneous forward voltage per leg | IF=5A IF=5A | TC=25°C TC=125°C | VF | 0.85 0.75 | V |
| Maximum reverse current per leg at working peak Reverse voltage | | | IR | 200 6 | uA mA |

Thermal Characteristics Ta=25°C unless otherwise noted

| Symbol | Parameter | Max | Unit |
|--------|--|-----|-------|
| RejC | Thermal Resistance, Junction to Case per Leg | 2.0 | °C /W |

Note:

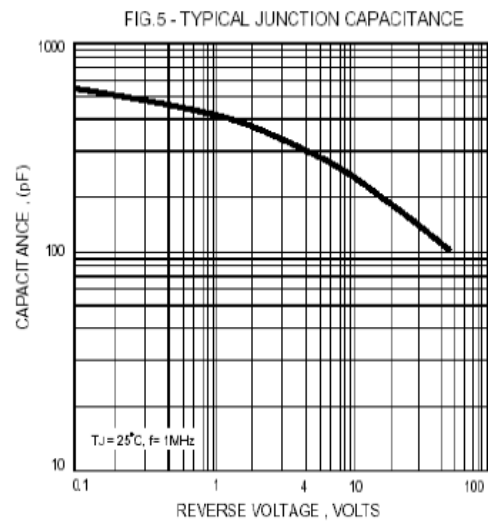
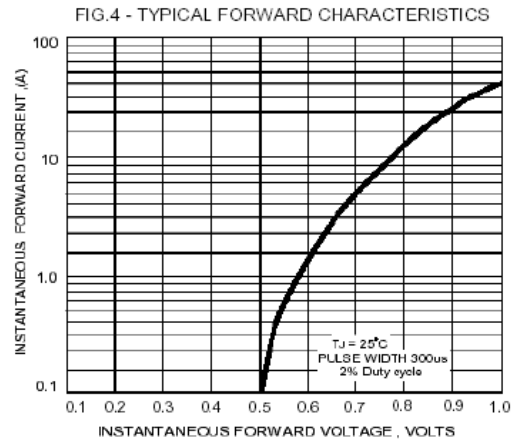
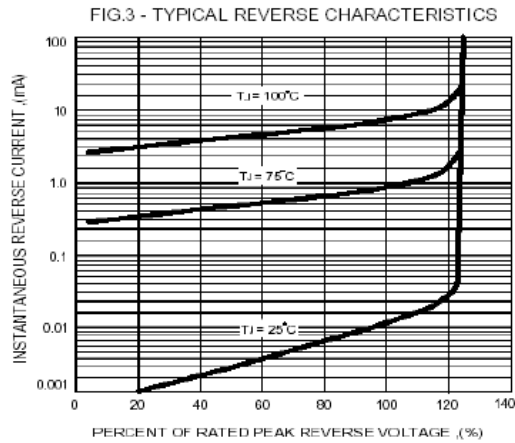
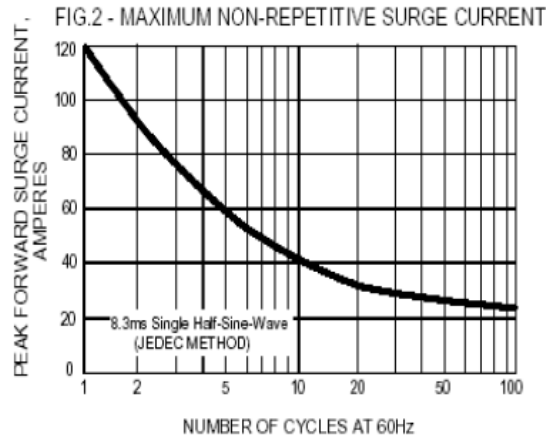
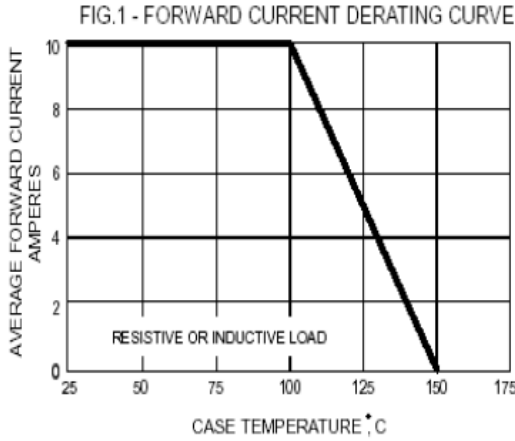
1. Pulse test:300us pulse width, duty cycle=2%



5. Rating and Characteristic Curves (Tc=25°C Unless otherwise noted)

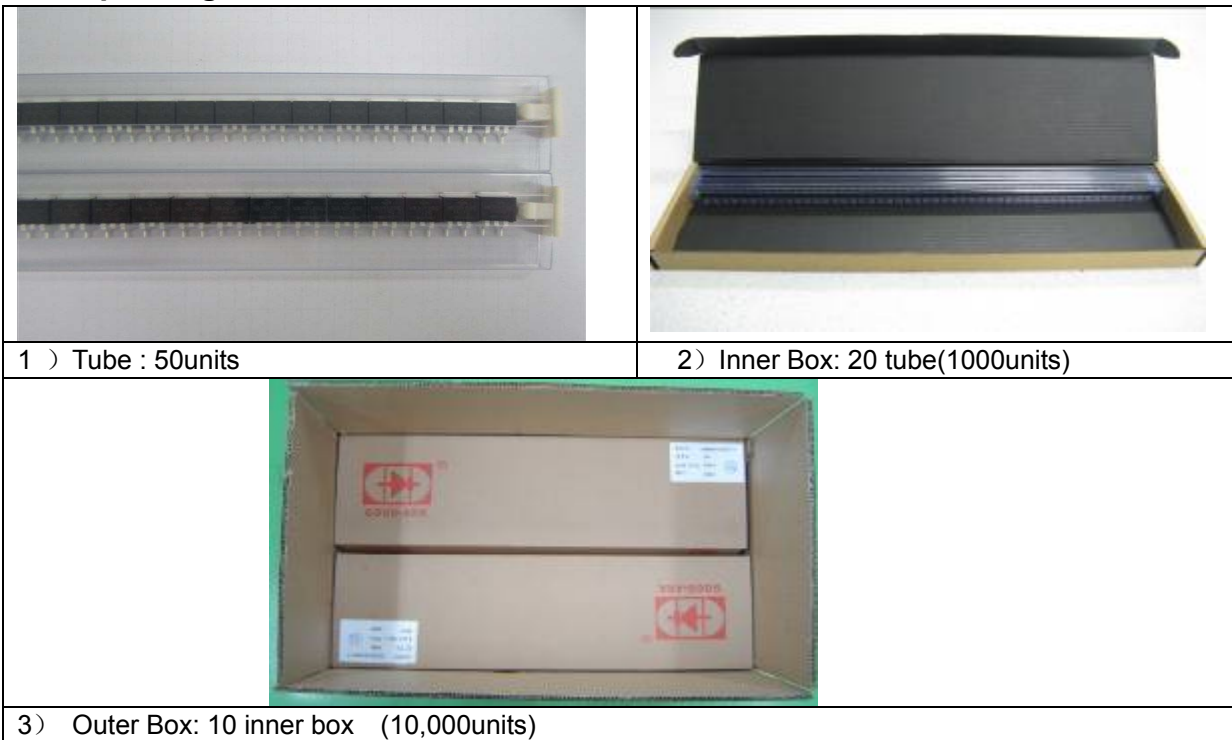
Rating and Characteristic Curves

(TA=25°C unless otherwise noted)



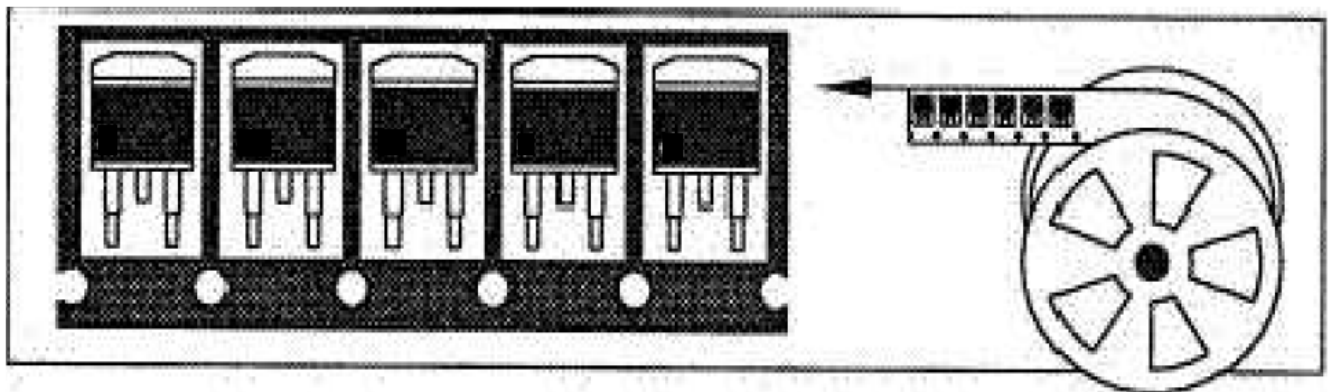
6. Packing Specification

6.1 Tube packing



6.2 Tape&reel packing

Packing size:800 /reel(13' reel)



7. DESCRIPTION of BOX LABEL

| | |
|---|---|
|  | <p>TYPE: Q'TY: P/O NO: LOT NO:</p> |
| <p>1) Inner Box Label</p> | <p>2) Inner Box Label</p> |
|  | <p>TYPE: Q'TY: P/O NO:</p> |
| <p>3) Outer Box Label</p> | <p>4) Outer Box Label</p> |