

N-Channel Enhancement Mode MOSFET

百盛新纪元半导体
电话：13534212799
Q Q：2851339680

Description

The NP3400 uses advanced trench technology to provide excellent $R_{DS(ON)}$, low gate charge and high density cell Design for ultra low on-resistance. This device is suitable for use as a load switch or in PWM applications.

General Features

- ◆ $V_{DS} = 30V$, $I_D = 5.8A$
- ◆ $R_{DS(ON)}(Typ.) = 22m\Omega$ @ $V_{GS} = 4.5V$
- ◆ $R_{DS(ON)}(Typ.) = 28m\Omega$ @ $V_{GS} = 2.5V$
- ◆ High power and current handling capability
- ◆ Lead free product is acquired
- ◆ Surface mount package

Application

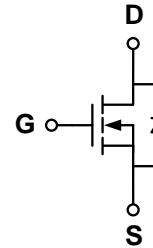
- ◆ PWM applications
- ◆ Load switch

Package

- ◆ SOT-23-3L

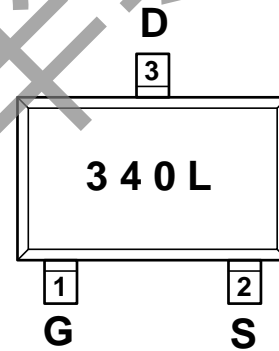


Schematic diagram



Marking and pin assignment

SOT-23-3L
(TOP VIEW)



Ordering Information

Part Number	Storage Temperature	Package	Devices Per Reel
NP3400MR-M-G	-55°C to +150°C	SOT-23-3L	3000

Absolute Maximum Ratings (TA=25°C unless otherwise noted)

parameter	symbol	limit	unit
Drain-source voltage	V_{DS}	30	V
Gate-source voltage	V_{GS}	±12	V
Continuous Drain Current	I_D	$T_A = 25^\circ C$	5.8
		$T_A = 70^\circ C$	5.0
Pulsed Drain Current ^C	I_{DM}	30	A
Maximum power dissipation ^B	P_D	$T_A = 25^\circ C$	1.4
		$T_A = 70^\circ C$	0.9
Operating junction Temperature range	T_j	-55—150	°C

Thermal Characteristics

Parameter		Symbol	Typ	Max	Unit
Maximum Junction-to-Ambient ^A	≤ 10s	R _{θJA}	70	90	°C/W
Maximum Junction-to-Ambient ^{A D}	Steady-State		100	125	
Maximum Junction-to-Lead ^B	Steady-State	R _{θJL}	63	80	

A. The value of R_{θJA} is measured with the device mounted on 1in2 FR-4 board with 2oz. Copper, in a still air environment with T_A =25°C. The value in any given application depends on the user's specific board design.

B. The power dissipation P_D is based on T_{J(MAX)}=150°C, using ≤ 10s junction-to-ambient thermal resistance.

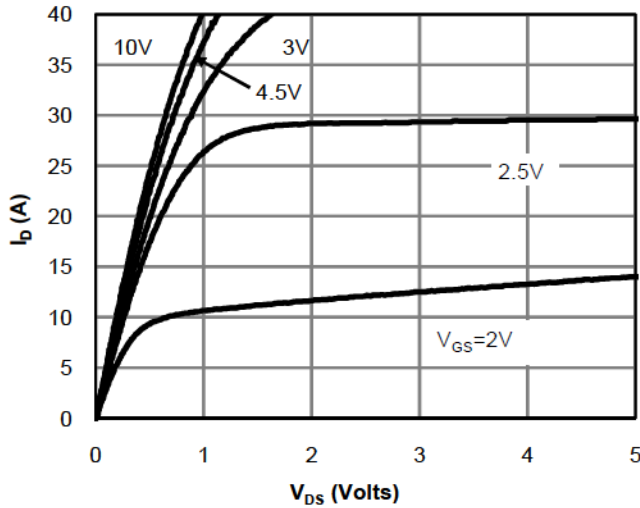
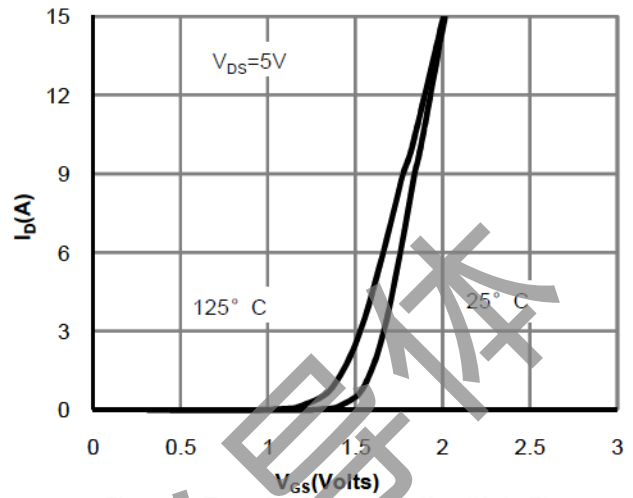
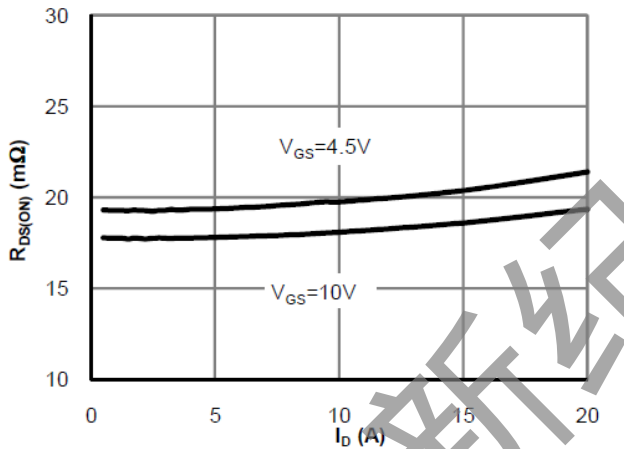
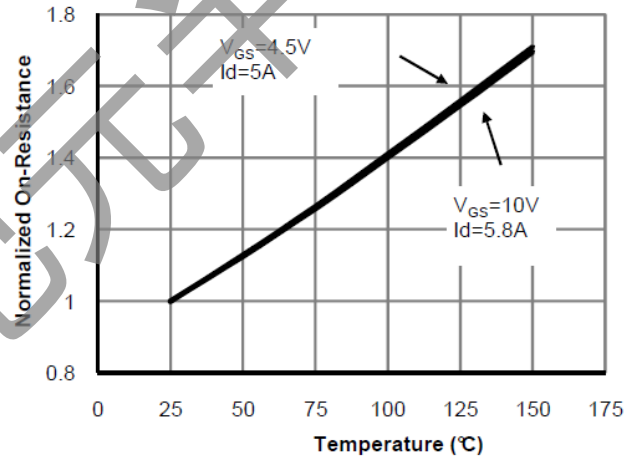
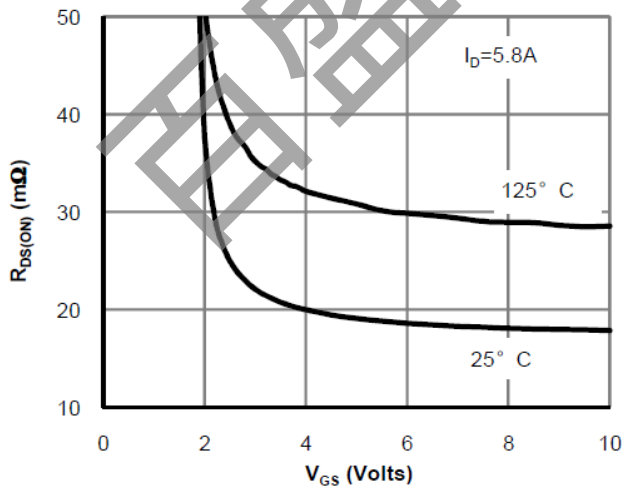
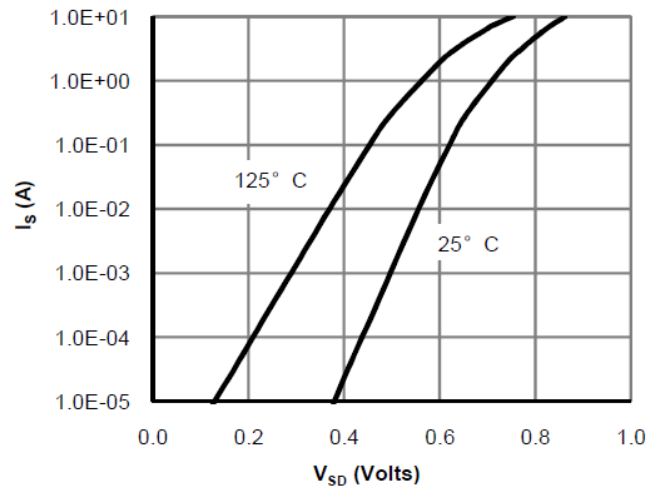
C. Repetitive rating, pulse width limited by junction temperature T_{J(MAX)}=150°C. Ratings are based on low frequency and duty cycles to keep initialT_J=25°C.

D. The R_{θJA} is the sum of the thermal impedance from junction to lead R_{θJL} and lead to ambient.

Electrical Characteristics (TA=25°C unless otherwise noted)

Parameter	Symbol	Condition	Min	Typ	Max	Unit
OFF Characteristics						
Drain-source breakdown voltage	BV _{DSS}	V _{GS} =0V, I _D =250μA	30	-	-	V
Zero gate voltage drain current	I _{DSS}	V _{DS} =30V, V _{GS} =0V	-	-	1	μA
Gate-body leakage	I _{GSS}	V _{DS} =0V, V _{GS} =±12V	-	-	±100	nA
ON Characteristics						
Gate threshold voltage	V _{GS(th)}	V _{DS} =V _{GS} , I _D =250μA	0.5	0.8	1.1	V
Drain-source on-state resistance	R _{DS(ON)}	V _{GS} =4.5V, I _D =5A	-	22	28	mΩ
		V _{GS} =2.5V, I _D =4A	-	28	38	
Forward transconductance	g _{fs}	V _{GS} =5V, I _D =5.8A	-	33	-	S
Dynamic Characteristics						
Input capacitance	C _{ISS}	V _{DS} =15V, V _{GS} =0V f=1.0MHz	-	630	-	pF
Output capacitance	C _{OSS}		-	76	-	
Reverse transfer capacitance	C _{RSS}		-	55	-	
Switching Characteristics						
Turn-on delay time	t _{D(ON)}	V _{DS} =15V V _{GS} =10V R _L =2.6 ohm R _{GEN} =3ohm	-	3	-	ns
Rise time	t _r		-	2.5	-	
Turn-off delay time	t _{D(OFF)}		-	25	-	
Fall time	t _f		-	4	-	
Total gate charge	Q _g	V _{DS} =15V, I _D =5.8A V _{GS} =4.5V	-	6	-	nC
Gate-source charge	Q _{gs}		-	1.3	-	
Gate-drain charge	Q _{gd}		-	1.8	-	
DRAIN-SOURCE DIODE CHARACTERISTICS						
Diode forward voltage	V _{SD}	V _{GS} =0V, I _S =1A	-	0.76	1.16	V

Typical Performance Characteristics


Fig 1: On-Region Characteristics (Note E)

Figure 2: Transfer Characteristics (Note E)

Figure 3: On-Resistance vs. Drain Current and Gate Voltage (Note E)

Figure 4: On-Resistance vs. Junction Temperature (Note E)

Figure 5: On-Resistance vs. Gate-Source Voltage (Note E)

Figure 6: Body-Diode Characteristics (Note E)

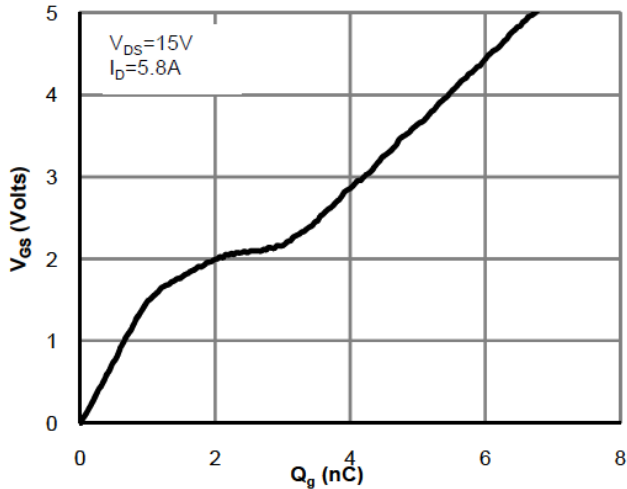


Figure 7: Gate-Charge Characteristics

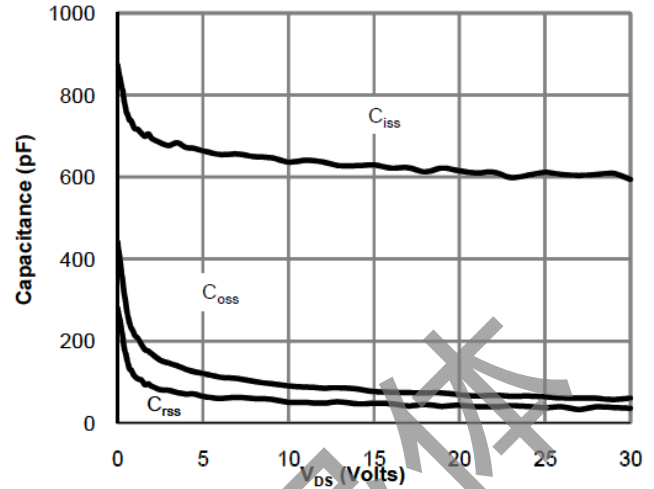


Figure 8: Capacitance Characteristics

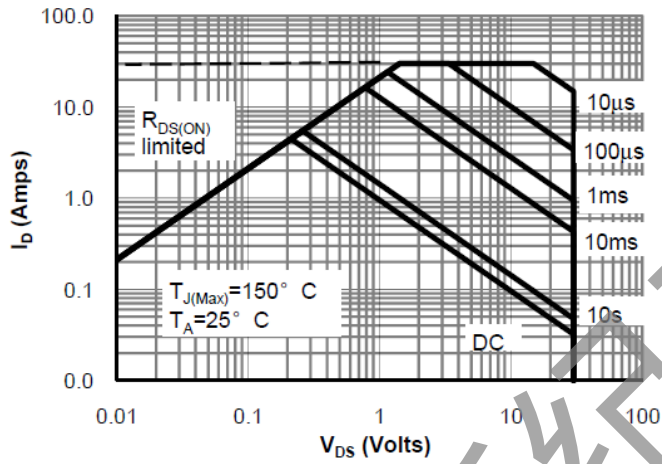


Figure 9: Maximum Forward Biased Safe Operating Area (Note F)

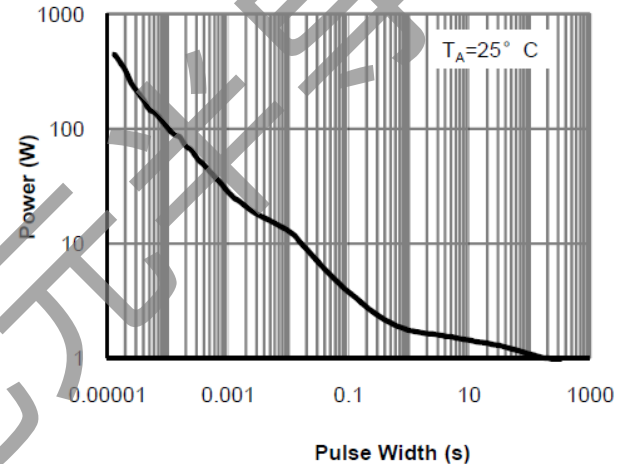


Figure 10: Single Pulse Power Rating Junction-to-Ambient (Note F)

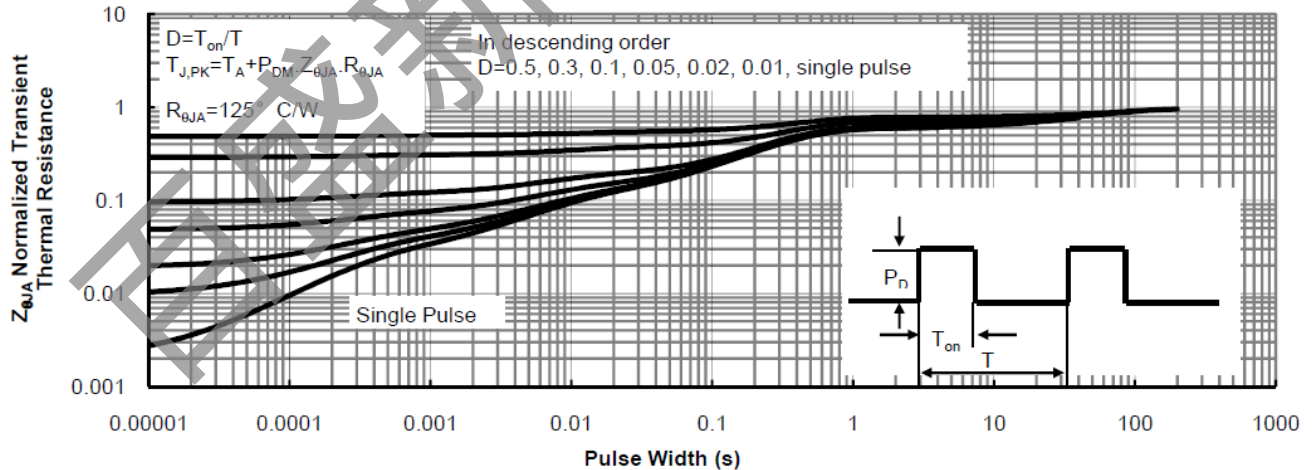
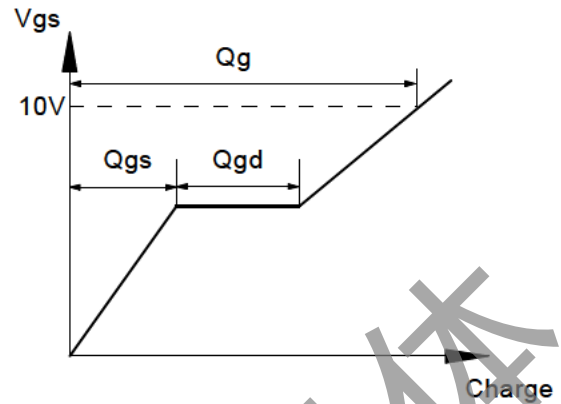
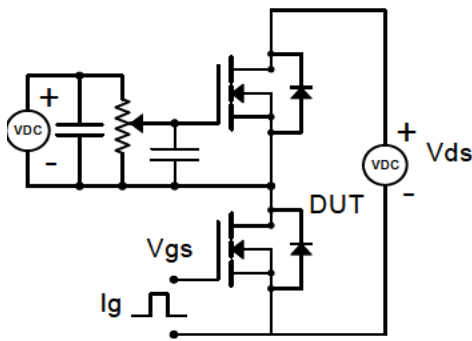


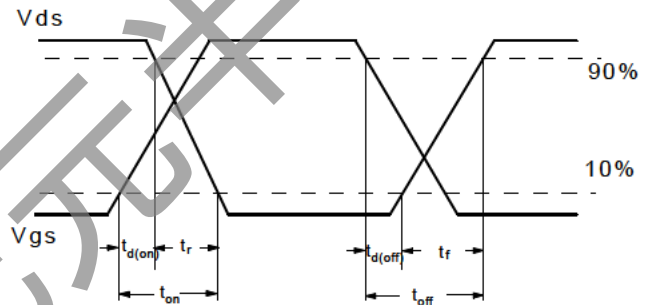
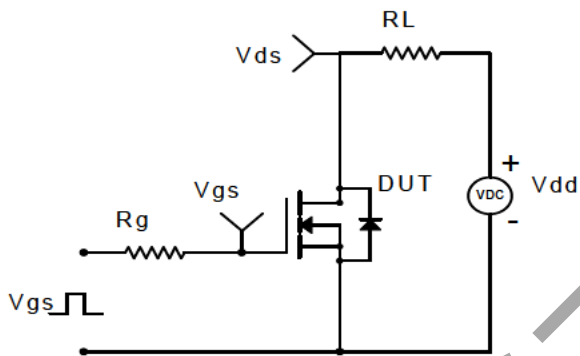
Figure 11: Normalized Maximum Transient Thermal Impedance (Note F)

Gate Charge Test Circuit & Waveform

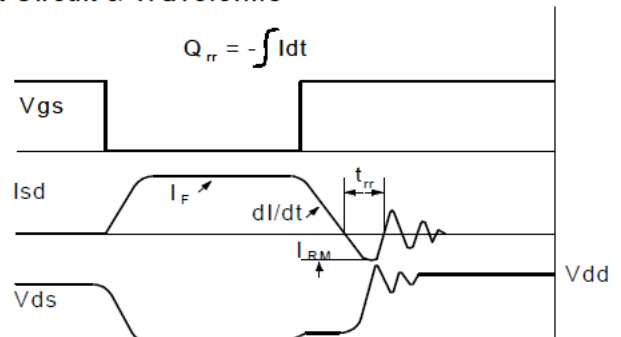
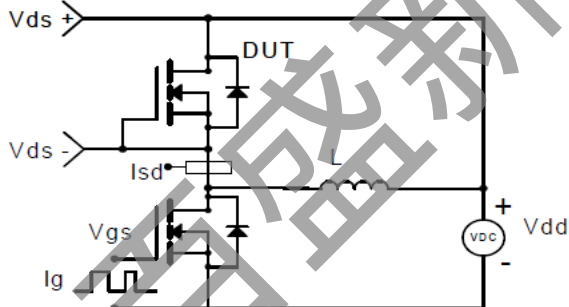


Resistive Switching Test Circuit & Waveforms

Resistive Switching Test Circuit & Waveforms

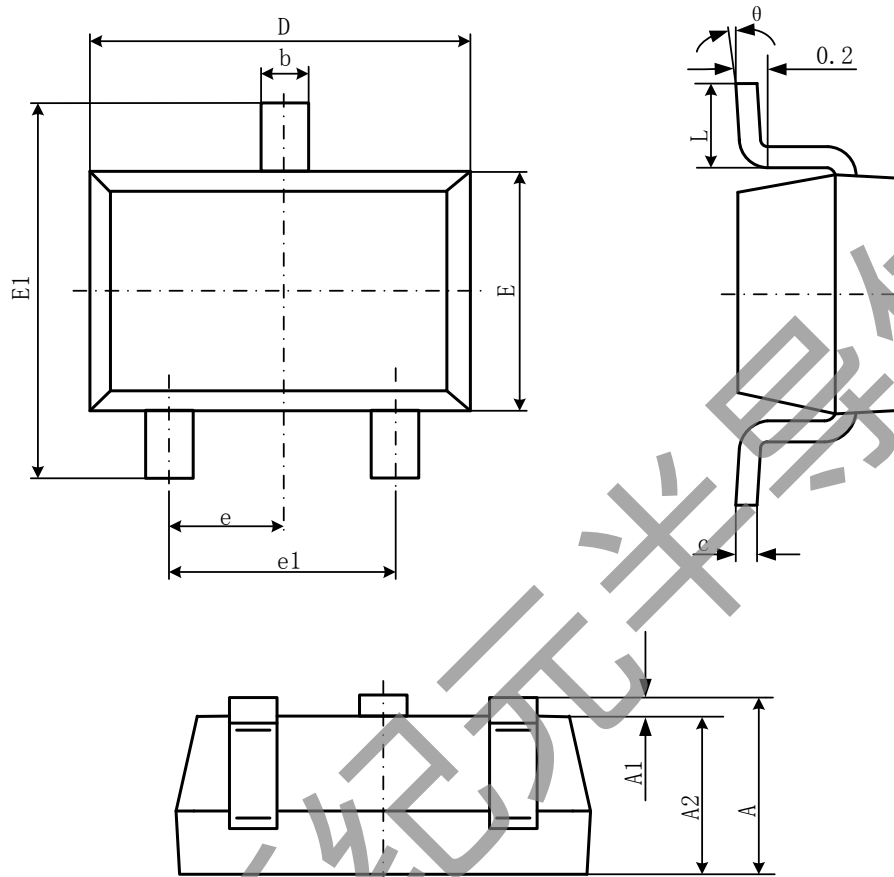


Diode Recovery Test Circuit & Waveforms



Package Information

- SOT-23-3L



Symbol	Dimensions In Millimeters		Dimensions In Inches	
	Min	Max	Min	Max
A	1.050	1.250	0.041	0.049
A1	0.000	0.100	0.000	0.004
A2	1.050	1.150	0.041	0.045
b	0.300	0.500	0.012	0.020
c	0.100	0.200	0.004	0.008
D	2.820	3.020	0.111	0.119
E	1.500	1.700	0.059	0.067
E1	2.650	2.950	0.104	0.116
e	0.950(BSC)		0.037(BSC)	
e1	1.800	2.000	0.071	0.079
L	0.300	0.600	0.012	0.024
θ	0°	8°	0°	8°