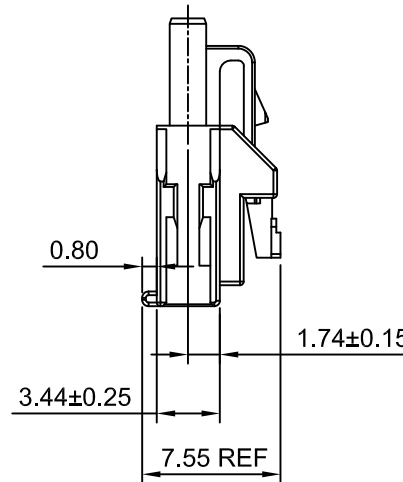
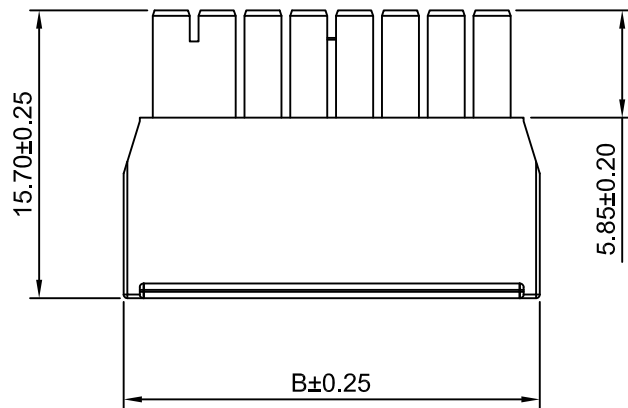


Ordering Information:
A2509HFA-XP - ***
 1 2

1.Part NO.
 2.Color.
 (Blank):Black,KAY A
 NAT:Natural,KAY B

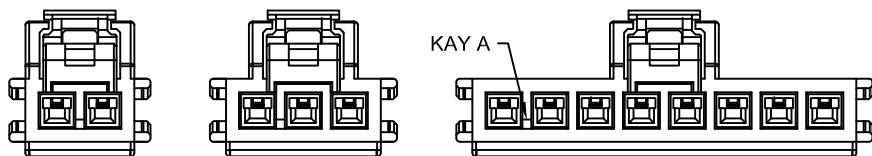


SPECIFICATIONS:

Current Rating: 8A AC,DC (MAX)
 Voltage Rating: 250V AC,DC
 Temperature Range: -40°C ~ +105°C
 Contact Resistance: 20mΩ Max
 Insulation Resistance: 1000MΩ Min
 Withstanding Voltage:1000VAC/minute
 Material: PA4T+30%G.F,UL94V-0

Ordering Information & Dimensions

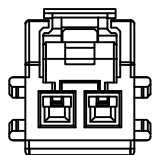
Part NO.	Dimensions(mm)	
	A	B
A2509HFA-2P	2.50	7.70
A2509HFA-3P	5.00	10.20
A2509HFA-4P	7.50	12.70
A2509HFA-5P	10.00	15.20
A2509HFA-6P	12.50	17.70
A2509HFA-7P	15.00	20.20
A2509HFA-8P	17.50	22.70



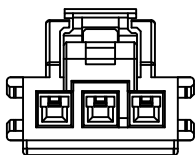
2P
KAY A

3P
KAY A

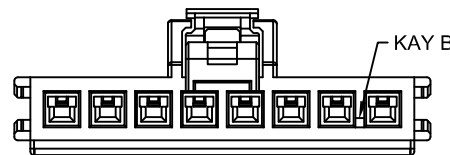
4P~8P
KAY A



2P
KAY B



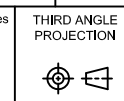
3P
KAY B



4P~8P
KAY B

REV	DESCRIPTION	DATE
A2	CHANGE THE INFORMATION	2020.11.16
A1	CHANGE THE SIZE	2020.07.08
A0	NEW RELEASE	2019.05.30

General Tolerances	
x.x±0.25	
x.xx±0.20	
x.xxx±0.15	
ANGLES ±1°	



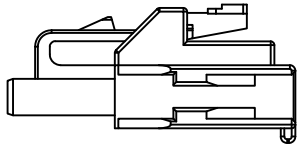
CJTconn CHANGJIANG CONNECTORS CO.,LTD.

Unit	Scale	Sheet
mm	2.5:1	1 of 2

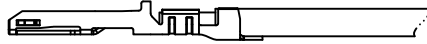
TITLE
**2.50mm PITCH
 SINGLE ROW HOUSING**

DRWN	CHK'D	APPR
Dengchun Yi	Dlankul Wan	Jack Yin

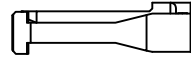
DRAWING NO.	REV
A2509HFA-XP	A2



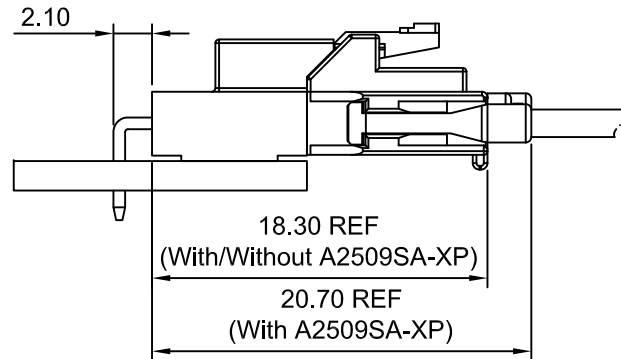
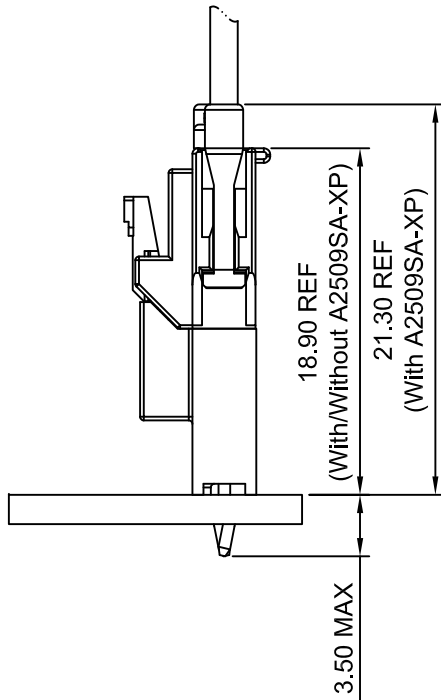
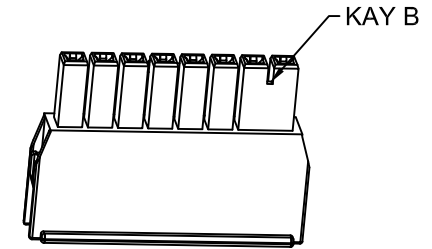
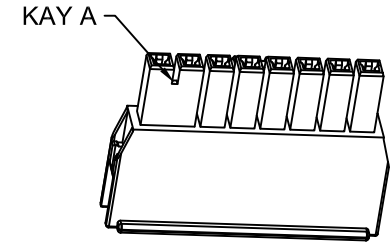
A2509HFA-XP



A2509-T-B/A2509-T-B-L



A2509SA-XP



CJTconn CHANGJIANG CONNECTORS CO.,LTD.			TITLE
Unit	Scale	Sheet	2.50mm PITCH SINGLE ROW HOUSING
mm	2.5:1	2 of 2	
DRWN	CHKD	APPR	DRAWING NO.
Dengchun Yi	Dlankul Wan	Jack Yin	
General Tolerances			THIRD ANGLE PROJECTION
A2 CHANGE THE INFORMATION 2020.11.16 A1 CHANGE THE SIZE 2020.07.08 A0 NEW RELEASE 2019.05.30 REV DESCRIPTION DATE			x.xx±0.25 x.xxx±0.20 x.xxx±0.15 ANGLES ±1°
			A2509HFA-XP REV A2