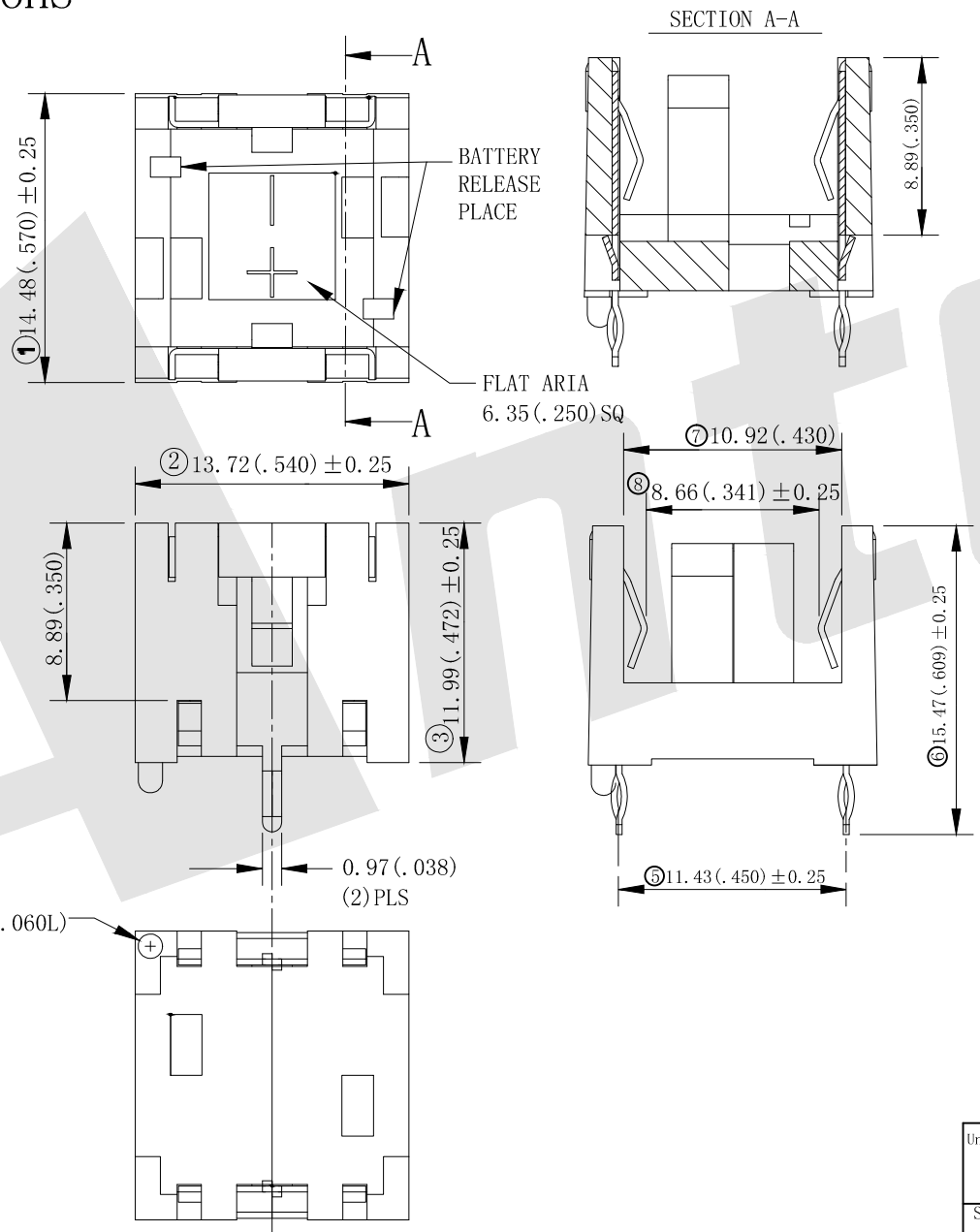


HSF



ROHS



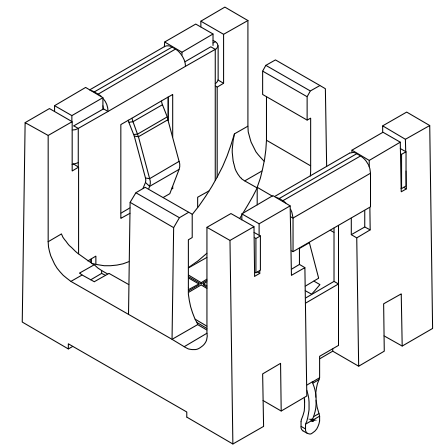
NOTE:

- CONTACT: MAT" L 0.30 (.012) TH"K PHOSPHOR BRONZE FINISH-BRIGHT TIN, OVER NICKEL
- HOUSING: MAT" L HEAT RESISTANCE NYLON (UL94V-0)

Order code:

BT — S — SN — R — CR503A
 ① — ② — ③ — ④ — ⑤

- ① BT: Coin Cell Holders
- ② Appearance for the product
M: SMT TYPE
S: 180 TYPE
R: 90 TYPE
- ③ Contact Plating
SN: Tin
G0: Gold flash
G1: 3U" Gold
G2: 5U" Gold
G3: 10U" Gold
G4: 15U" Gold
G5: 30U" Gold
- ④ Packing method
A: Tray packing
R: Tape & reel packing
- ⑤ Product number
CR503A



Unless Otherwise specified tolerance
 X. ±0.35 X.XX: ±0.20
 X.X: ±0.25 X.XXX: ±0.15

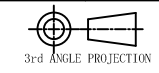
SCALE: As Shown	UNIT: mm
DRAW Lv Xun Hua	DATE 25/03/2019
CHECK BobYang	DATE 25/03/2019

Antenk® ANTENK ELECTRONICS CO., LTD
 Http://www.antenk.com
 E-mail:sales@antenk.com

TITLE: 1/3 N HORIZONTAL PC HOLDER

DRAWING NO: BT-S-SN-R-CR503A

PRODUCT NO: BT-S-SN-R-CR503A



REV	DESCRIPTION	DATE