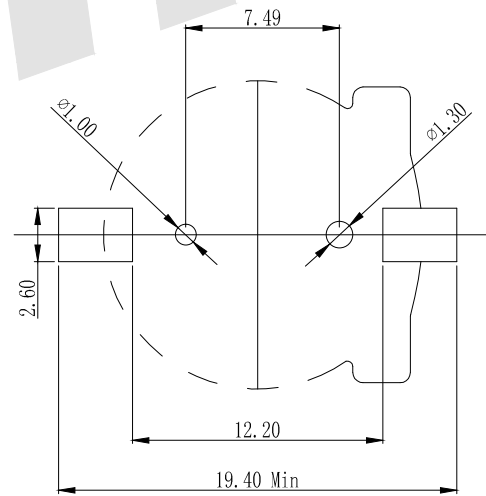
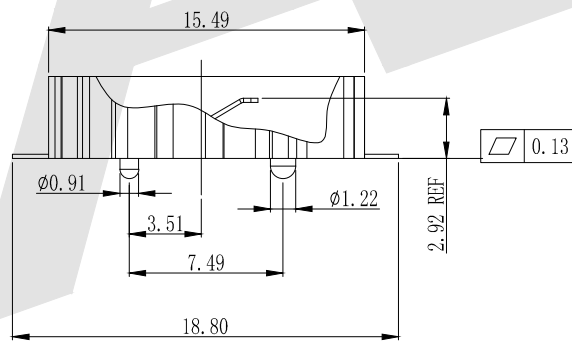
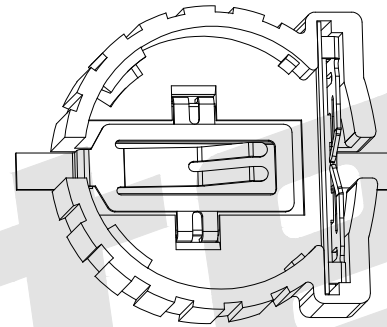
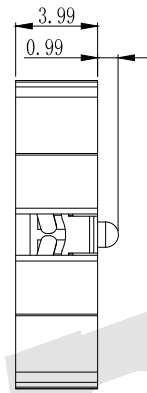
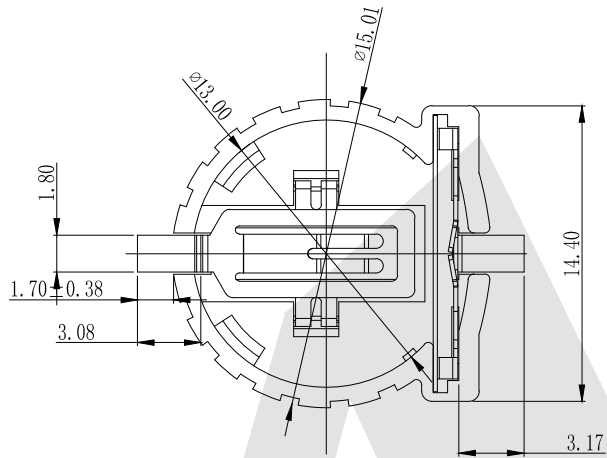


HSF



ROHS



PCB LAYOUT (TOP VIEW)

Note:

1. Material:

- a. Housing: PPS Colr: Nature, UL94V-0
- b. Contact: C5191
- c. Surface Plating: Au

2. Electric:

- a. Contact Resistance: 30 Milliohms Max.
- b. Insulation Resistance: 1000 Mega Ohms Min.
- c. Dielectnic Voltage: 500 V AC One Sec Level
- d. Operating Temperature: -30° To +70°

Order Code:

△ BT - M - GO - R - CR1220A  
 ① ② ③ ④ ⑤

- ① BT: Coin Cell Holders
- ② Apperance For The Product:  
M: SMT TYPE  
S: 180 TYPE  
R: 90 TYPE
- ③ Contact Plating  
SN: Tin  
GO: Gold Flash  
G1: 3U" Gold  
G2: 5U" Gold  
G3: 10U" Gold  
G4: 15U" Gold  
G5: 30U" Gold
- ④ Packing Method  
A: Tray Packing  
R: Tape & Reel Packing
- ⑤ Product Number  
CR1220A

Unless Otherwise specified tolerance  
 X. ±0.35 X.XX: ±0.20  
 X.X: ±0.25 X.XXX: ±0.15

**Antenk**® ANTENK ELECTRONICS CO., LTD  
 Http://www.antenk.com  
 E-mail: sales@antenk.com

SCALE: As Shown UNIT: mm  
 DRAW Mo Guo Xuan DATE 13/03/2019  
 CHECK BobYang DATE 13/03/2019

TITLE:  
 Coin Cell Holders For CR1220

3rd ANGLE PROJECTION

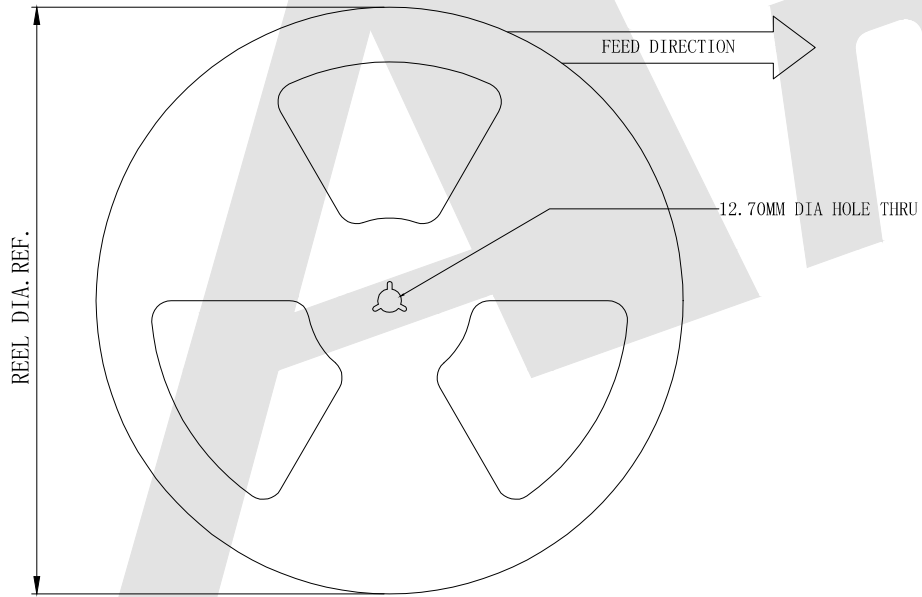
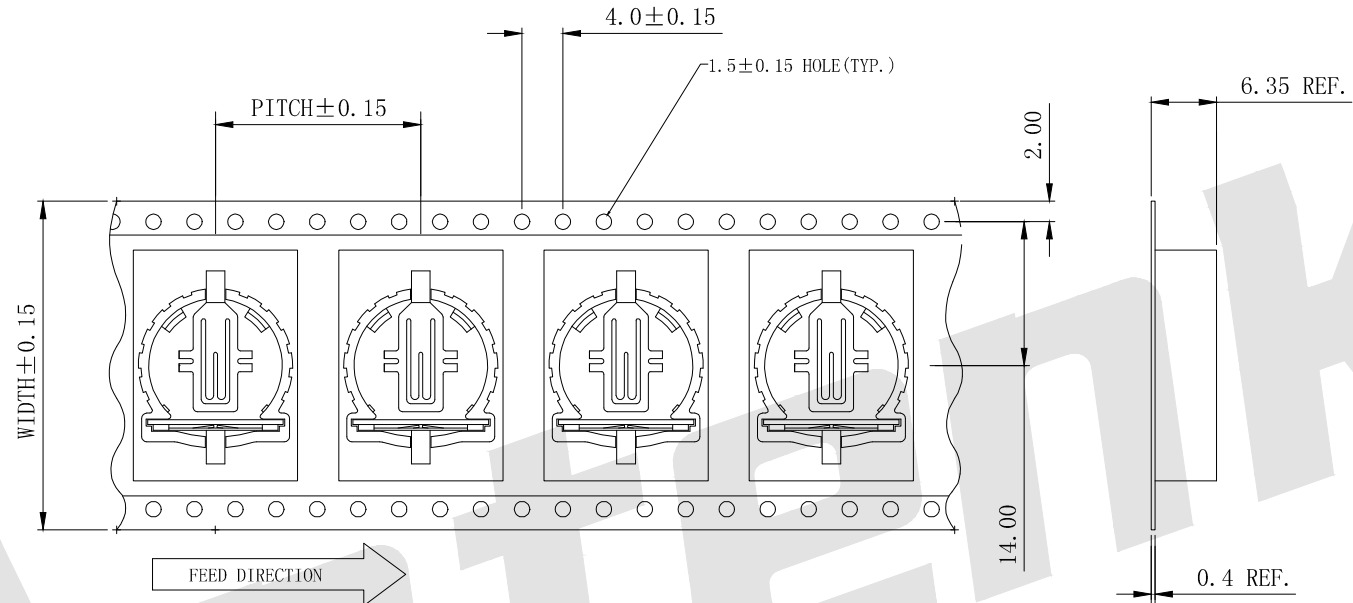
DRAWING NO: BT-M-GO-R-CR1220A  
 PRODUCT NO: BT-M-GO-R-CR1220A

REV	DESCRIPTION	DATE
	△ Update Drawing	03/15/2021
	△ Change BT-M-GO-CR1220B to BT-M-GO-R-CR1220A	07/11/2020

HSF



ROHS



NOTE:

TAPE AND REEL SPECIFICATIONS:

1. TAPE:

MAT' L-ALL CONDUCTINE POLYSTYRENE CARRIER ANSI/EIA-481 STANDARD 32.0 WIDE;20.0 PITCH

2. REEL:

330.2 DIA, 500PIECE OF PART NO. :BT-M-GO-R-CR1220A PER REEL

Unless Otherwise specified tolerance  
 X. ±0.35 X.XX: ±0.20  
 X.X: ±0.25 X.XXX: ±0.15

**Antenk**® ANTENK ELECTRONICS CO., LTD  
[Http://www.antenk.com](http://www.antenk.com)  
 E-mail:sales@antenk.com

SCALE: As Shown	UNIT: mm
DRAW Mo Guo Xuan	DATE 13/03/2019
CHECK BobYang	DATE 13/03/2019

TITLE:  
1220MM SM COIN CELL HOLDER ON TAPE PACKAGE

DRAWING NO: BT-M-GO-R-CR1220A

PRODUCT NO: BT-M-GO-R-CR1220A



		⚠ Add Package Drawing		03/23/2021
REV		DESCRIPTION		DATE