



Low ESR Cap Compatible Positive Voltage Regulators

General Description

The **ME6401** series are highly precise, low power consumption, high voltage, positive voltage regulators manufactured using CMOS and laser trimming technologies. The series provides large currents with a significantly small dropout voltage.

The series is compatible with low ESR ceramic capacitors. The current limiter's foldback circuit also operates as a short protect for the output current limiter and the output pin.

Features

- Maximum Output Current: 450mA
($V_{IN}=3.8V, V_{OUT}=2.8V$)
- Dropout Voltage: 200mV@ $I_{OUT}=100mA$
- Operating Voltage Range: 1.2V~5.0V
- Highly Accuracy: $\pm 2\%$
- Low Power Consumption: 90uA (TYP.)
- Standby Current: 0.1uA (TPY.)

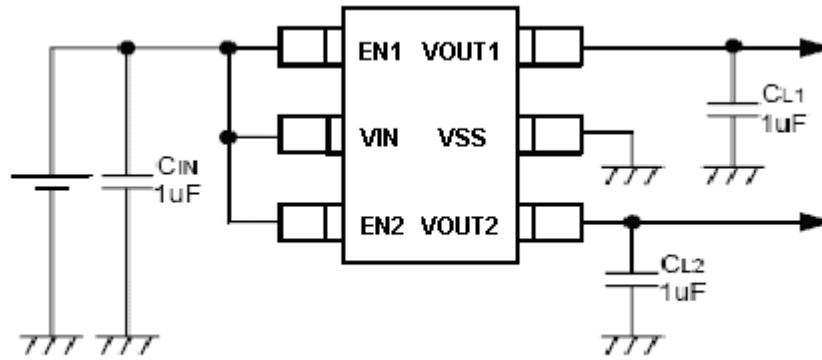
Typical Application

- Mobile phones
- Cordless phones, radio communication equipment
- Portable games
- Cameras, Video cameras
- Reference voltage sources
- Battery powered equipment

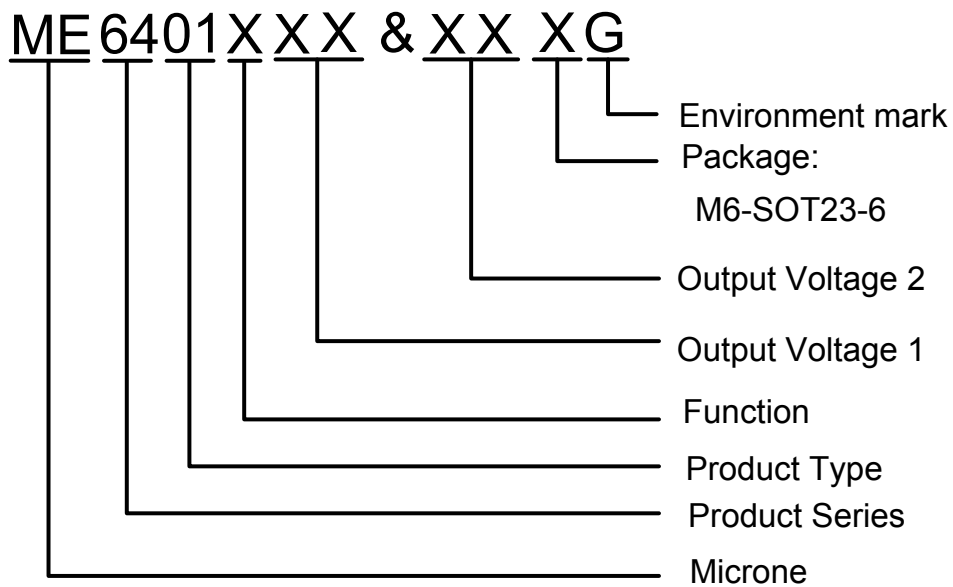
Package

- 6-pin SOT23-6

Typical Application Circuit

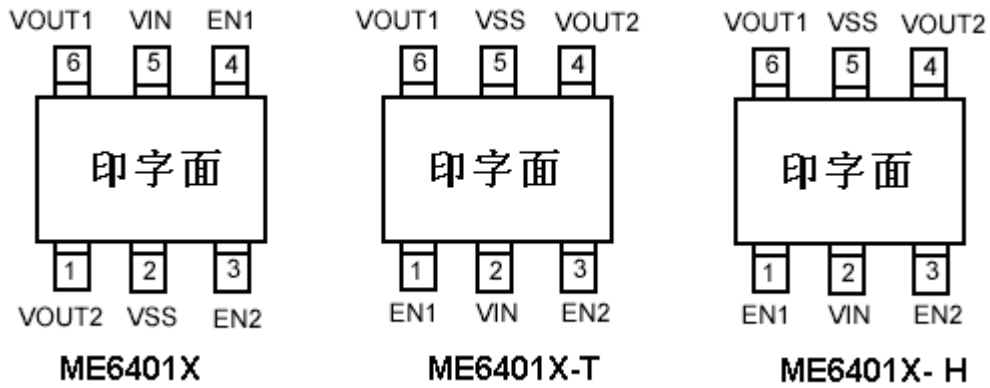


Selection Guide



product series	Output voltage	Package
ME6401C28&C18M6G	Vo1=2.8V, Vo2=1.8V	SOT23-6
ME6401C18&28M6G-T	Vo1=1.8V, Vo2=2.8V	SOT23-6
ME6401C18&28M6G-H	Vo1=2.8V, Vo2=1.8V	SOT23-6

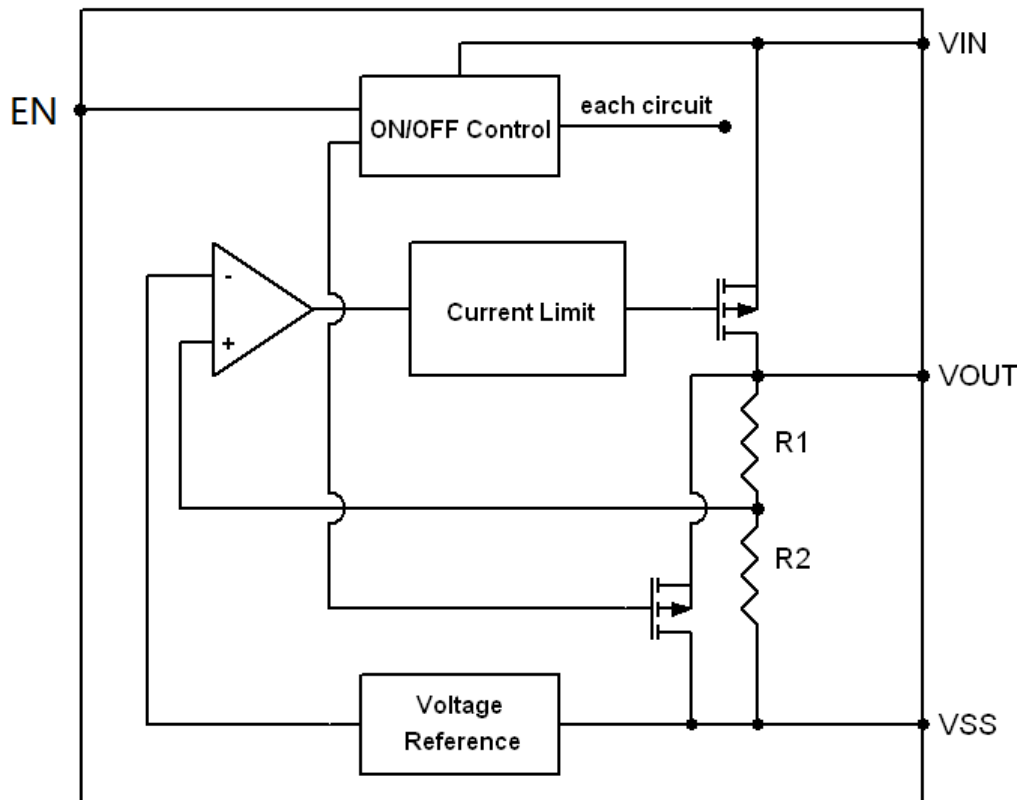
Pin Configuration



Pin Assignment

Pin Name	Functions
V_{IN}	Power Input
V_{SS}	Ground
EN	ON / OFF Control
NC	No Connect
V_{OUT}	Output

Block Diagram (single)



Absolute Maximum Ratings

Parameter	Symbol	Ratings	Units
Input Voltage	V_{IN}	6.5	V
Output Current	I_{OUT}	600	mA
Output Voltage	V_{OUT}	$V_{SS}-0.3 \sim V_{IN} + 0.3$	V
EN Pin Voltage	V_{CE}	$V_{SS}-0.3 \sim V_{IN} + 0.3$	V
Power Dissipation	P_D	250	mW
SOT23-6			
Operating Temperature Range	T_{OPR}	$-40 \sim +150$	$^{\circ}C$
Storage Temperature Range	T_{STG}	$-40 \sim +150$	$^{\circ}C$

Electrical Characteristics

ME6401 ($V_{IN} = V_{OUT} + 1V$, $V_{CE} = V_{IN}$, $C_{IN} = C_L = 1\mu F$, $T_a = 25^{\circ}C$, unless otherwise noted)

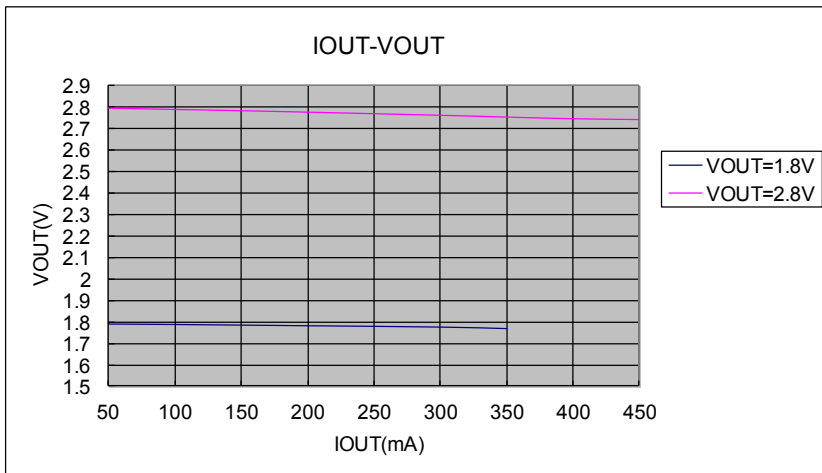
PARAMETER	SYMBOL	CONDITION	MIX	TYP	MAX	UNIT
Output Voltage	$V_{OUT(E)}$ (Note 2)	$I_{OUT} = 30mA$	X 0.98	$V_{OUT(T)}$ (Note 1)	X 1.02	V
Maximum Output Voltage	$I_{OUT} (max)$	$V_{OUT} (1.8V)$		300		mA
		$V_{OUT} (2.8V)$		450		mA
Load Regulation	ΔV_{OUT}	$1mA \leq I_{OUT} \leq 100mA$		9		mV
Dropout Voltage (Note 3)	V_{dif1}	$I_{OUT} = 100mA$		200		mV
	V_{dif2}	$I_{OUT} = 200mA$		400		mV
Supply Current	I_{SS}			90		μA
Stand-by Current	I_{CEL}	$V_{EN} = V_{SS}$		0.1		μA
Line Regulations	$\frac{\Delta V_{OUT}}{\Delta V_{IN} \cdot V_{OUT}}$	$I_{OUT} = 30mA$ $V_{OUT} + 1V \leq V_{IN} \leq 6.5V$		0.05		%/V
EN "High" Voltage	V_{CEH}	Start up	1.0			V
EN "Low" Voltage	V_{CEL}	Shut down			0.5	V
Power Supply Ripple Rejection Ratio	PSRR	$V_{in} = [V_{out} + 1]V + 1V_{p-pAC}$ $I_{OUT} = 50mA, f = 1kHz$		70		dB
Output noise	EN	$I_{OUT} = 40mA$ $300Hz \sim 50kHz$		50		μV_{rms}
Short Circuit Current	I_{SHORT}	$V_{OUT} (1.8V) = V_{SS}$		30		mA
		$V_{OUT} (2.8V) = V_{SS}$		100		mA

Note :

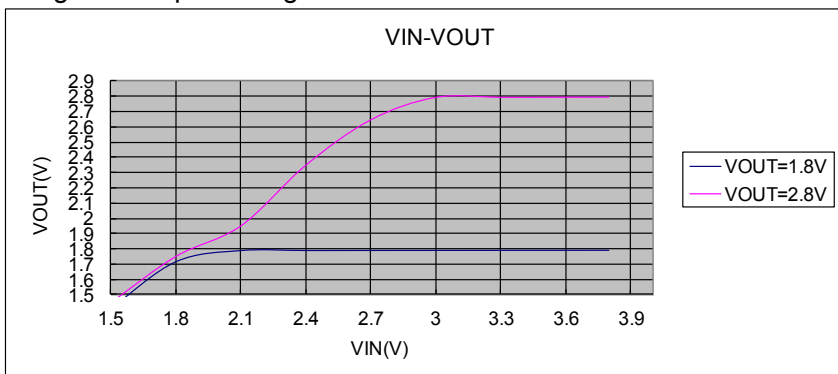
- $V_{OUT} (T)$: Specified Output Voltage
- $V_{OUT} (E)$: Effective Output Voltage (i.e. The output voltage when " $V_{OUT} (T) + 1.0V$ " is provided at the V_{in} pin while maintaining a certain I_{out} value.)
- V_{DIF} : $V_{IN1} - V_{OUT} (E)$
 V_{IN1} : The input voltage when $V_{OUT}(E)$ appears as input voltage is gradually decreased.
 $V_{OUT} (E)$ = A voltage equal to 98% of the output voltage whenever an amply stabilized I_{out} { $V_{OUT} (T) + 1.0V$ } is input.

Type Characteristics

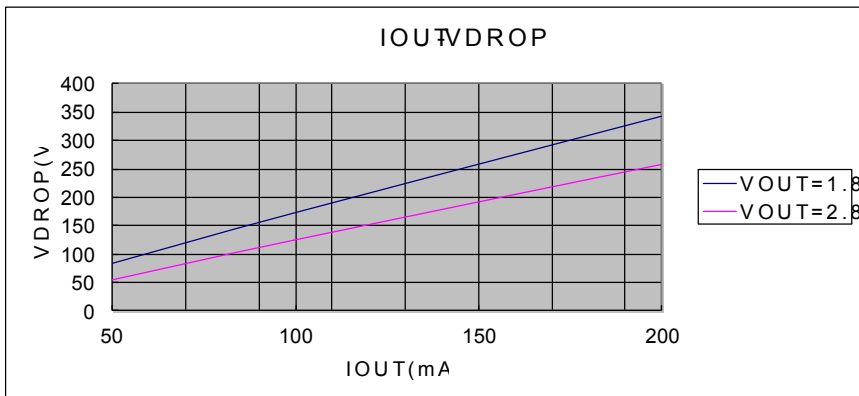
(1) Output Current VS. Output Voltage ($V_{IN}=V_{out}+1$, $T_a = 25^\circ C$)



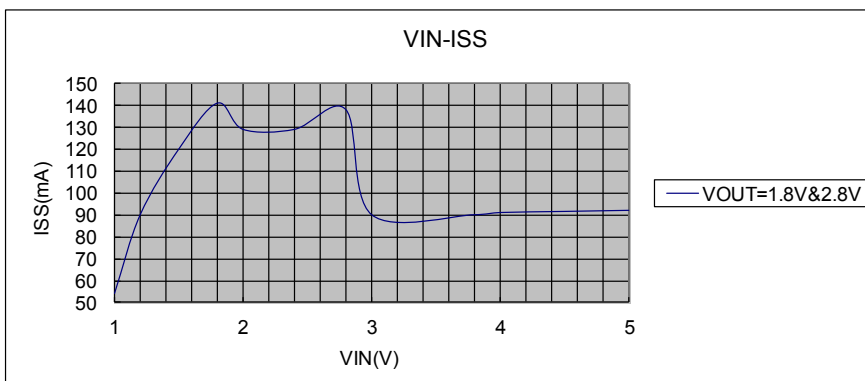
(2) Input Voltage VS. Output Voltage ($T_a = 25^\circ C$)



(3) Output Current VS. Dropout Voltage ($V_{IN}=V_{out}+1V$, $T_a = 25^\circ C$)

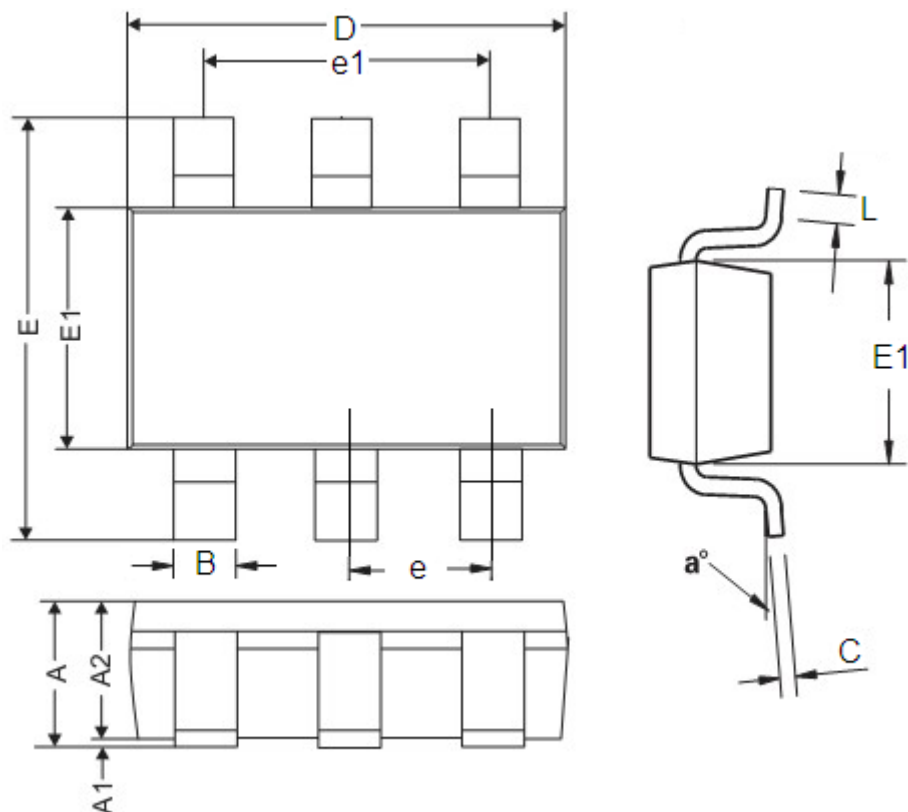


(4) Input Voltage VS. Supply Current ($T_a = 25^\circ C$)



Packaging Information

● SOT23-6



DIM	Millimeters		Inches	
	Min	Max	Min	Max
A	0.9	1.45	0.0354	0.0570
A1	0	0.15	0	0.0059
A2	0.9	1.3	0.0354	0.0511
B	0.2	0.5	0.0078	0.0196
C	0.09	0.26	0.0035	0.0102
D	2.7	3.10	0.1062	0.1220
E	2.2	3.2	0.0866	0.1181
E1	1.30	1.80	0.0511	0.0708
e	0.95REF		0.0374REF	
e1	1.90REF		0.0748REF	
L	0.10	0.60	0.0039	0.0236
a°	0°	30°	0°	30°

- The information described herein is subject to change without notice.
- Nanjing Micro One Electronics Inc is not responsible for any problems caused by circuits or diagrams described herein whose related industrial properties, patents, or other rights belong to third parties. The application circuit examples explain typical applications of the products, and do not guarantee the success of any specific mass-production design.
- Use of the information described herein for other purposes and/or reproduction or copying without the express permission of Nanjing Micro One Electronics Inc is strictly prohibited.
- The products described herein cannot be used as part of any device or equipment affecting the human body, such as exercise equipment, medical equipment, security systems, gas equipment, or any apparatus installed in airplanes and other vehicles, without prior written permission of Nanjing Micro One Electronics Inc.
- Although Nanjing Micro One Electronics Inc exerts the greatest possible effort to ensure high quality and reliability, the failure or malfunction of semiconductor products may occur. The user of these products should therefore give thorough consideration to safety design, including redundancy, fire-prevention measures, and malfunction prevention, to prevent any accidents, fires, or community damage that may ensue.