

ON Semiconductor

Is Now

onsemi™

To learn more about onsemi™, please visit our website at
www.onsemi.com

onsemi and **onsemi** and other names, marks, and brands are registered and/or common law trademarks of Semiconductor Components Industries, LLC dba "**onsemi**" or its affiliates and/or subsidiaries in the United States and/or other countries. **onsemi** owns the rights to a number of patents, trademarks, copyrights, trade secrets, and other intellectual property. A listing of **onsemi** product/patent coverage may be accessed at www.onsemi.com/site/pdf/Patent-Marking.pdf. **onsemi** reserves the right to make changes at any time to any products or information herein, without notice. The information herein is provided "as-is" and **onsemi** makes no warranty, representation or guarantee regarding the accuracy of the information, product features, availability, functionality, or suitability of its products for any particular purpose, nor does **onsemi** assume any liability arising out of the application or use of any product or circuit, and specifically disclaims any and all liability, including without limitation special, consequential or incidental damages. Buyer is responsible for its products and applications using **onsemi** products, including compliance with all laws, regulations and safety requirements or standards, regardless of any support or applications information provided by **onsemi**. "Typical" parameters which may be provided in **onsemi** data sheets and/or specifications can and do vary in different applications and actual performance may vary over time. All operating parameters, including "Typicals" must be validated for each customer application by customer's technical experts. **onsemi** does not convey any license under any of its intellectual property rights nor the rights of others. **onsemi** products are not designed, intended, or authorized for use as a critical component in life support systems or any FDA Class 3 medical devices or medical devices with a same or similar classification in a foreign jurisdiction or any devices intended for implantation in the human body. Should Buyer purchase or use **onsemi** products for any such unintended or unauthorized application, Buyer shall indemnify and hold **onsemi** and its officers, employees, subsidiaries, affiliates, and distributors harmless against all claims, costs, damages, and expenses, and reasonable attorney fees arising out of, directly or indirectly, any claim of personal injury or death associated with such unintended or unauthorized use, even if such claim alleges that **onsemi** was negligent regarding the design or manufacture of the part. **onsemi** is an Equal Opportunity/Affirmative Action Employer. This literature is subject to all applicable copyright laws and is not for resale in any manner. Other names and brands may be claimed as the property of others.



ON Semiconductor®

FSUSB63 — 3:1 High-Speed USB 2.0 Switch / Multiplexer

Features

Switch Type	3:1 USB Switch
USB	USB 2.0 High-Speed & Full-Speed Compliant
Break-Before-Make Time	126µs
R _{ON}	6Ω Typical
C _{ON}	6pF Typical
Bandwidth	830MHz
V _{CC}	2.7 to 4.4V
V _{CNTRL}	0 to V _{CC}
Operating Temperature	-40°C to 85°C
I _{CCSLP}	<1µA
I _{CCACT}	7.5µA Typical
Package	12-Lead UMLP 1.80 x 1.80 x 0.55mm, 0.40mm pitch
Top Mark	KG
Ordering Information	FSUSB63UMX

Applications

- Cell Phone, Digital Camera, Notebook
- LCD Monitor, TV, and Set-Top Box
- Netbook, Mobile Internet Device (MID)

Typical Application

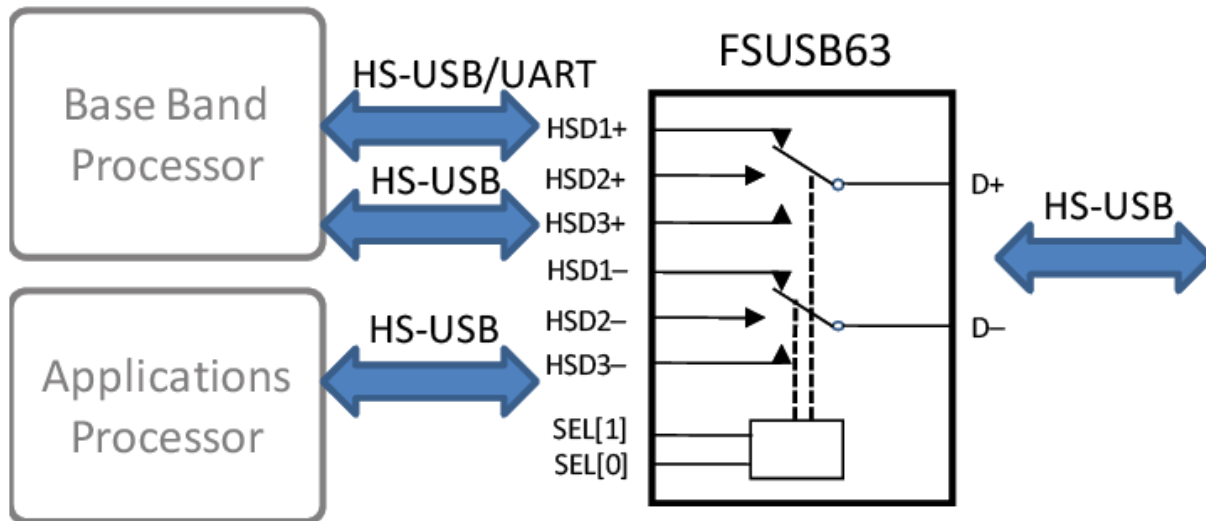


Figure 1. Analog Symbol

Description

The FSUSB63 is a bi-directional, low-power, High-Speed (HS) USB 2.0 3:1 Multiplexer (MUX). It is optimized for switching among three high-speed (480Mbps) sources or any combination of high-speed and full-speed (12Mbps) USB sources, such as an application processor, to one USB 2.0 connector.

The FSUSB63 has a break-before-make time to force re-enumeration by the host when switching between different HS USB 2.0 controllers and thus requires minimal software changes.

The FSUSB63 is compliant with the requirements of USB 2.0 and features extremely low on capacitance (C_{ON}). The wide bandwidth exceeds the requirement to pass the third harmonic, resulting in signals with minimum edge and phase distortion. Superior channel-to-channel crosstalk also minimizes interference.

Pin Configuration

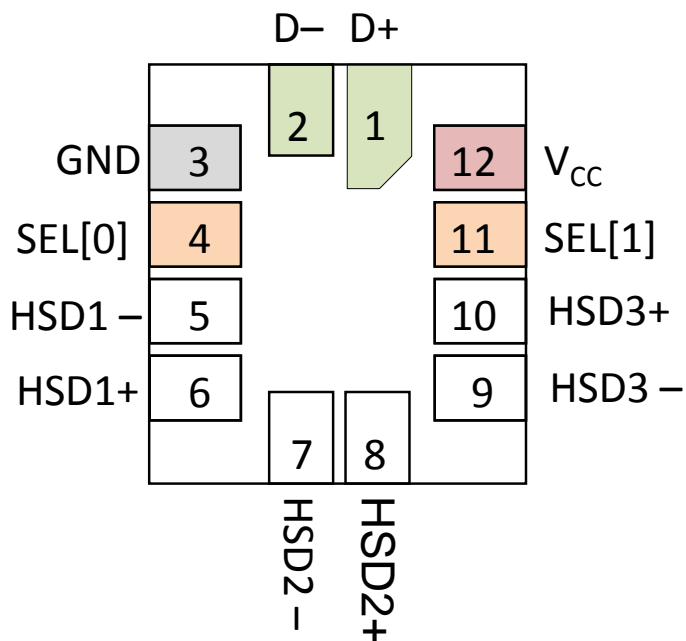


Figure 2. Pin Assignments (Top Through View)

Pin Descriptions

Pin #	Name	Description
1	D+	USB 2.0 High Speed or Full Speed Data Bus D+
2	D-	USB 2.0 High Speed or Full Speed Data Bus D-
3	GND	Ground
4	SEL[0]	Path Selection Control Inputs (see functional table below)
5	HSD1-	Multiplexed First Source Path for D-
6	HSD1+	Multiplexed First Source Path for D+
7	HSD2-	Multiplexed Second Source Path for D-
8	HSD2+	Multiplexed Second Source Path for D+
9	HSD3-	Multiplexed Third Source Path for D-
10	HSD3+	Multiplexed Third Source Path for D+
11	SEL[1]	Path Selection Control Inputs (see functional table below)
12	V _{CC}	Supply Voltage

Functional Table

Mode	SEL[1]	SEL[0]	Function
Sleep Mode	0	0	D+, D- Switch Paths Open
USB Port 1	0	1	D+=HSD1+, D-=HSD1-
USB Port 2	1	0	D+=HSD2+, D-=HSD2-
USB Port 3	1	1	D+=HSD3+, D-=HSD3-

Eye Compliance

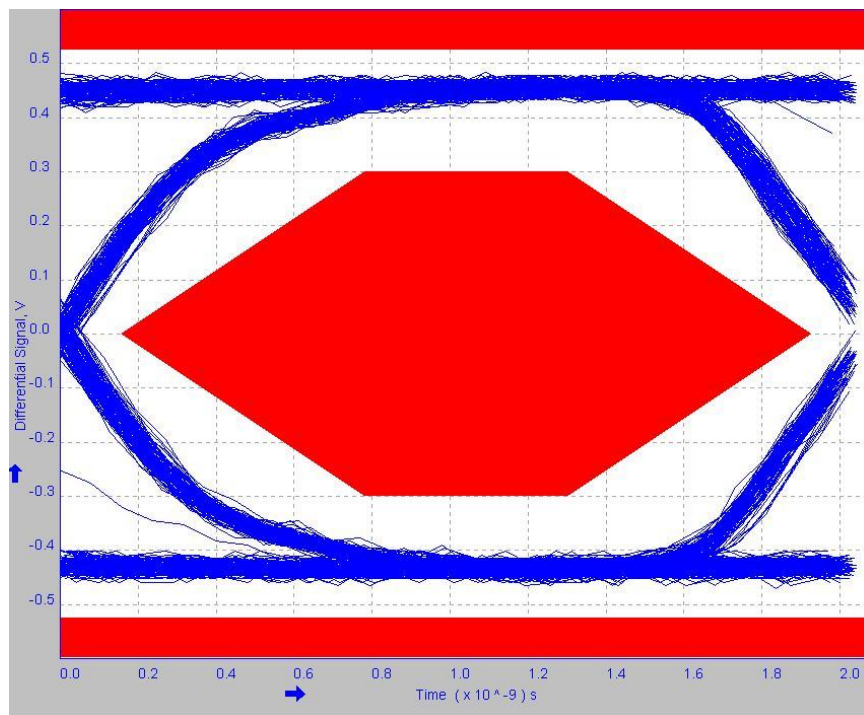


Figure 3. USB 2.0 HS-USB Eye Compliance Pass Through (without Switch)

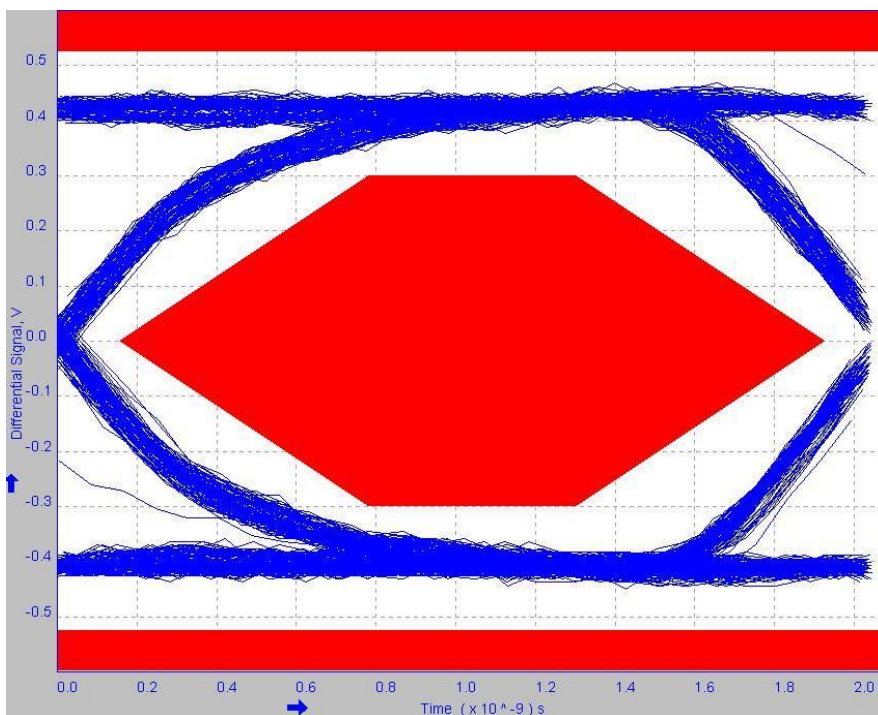


Figure 4. USB 2.0 HS-USB Eye Compliance with Switch

Notes:

1. Figure 3 indicates the HS-USB eye compliance of the source across a characterization board prior to the implementation of the switch.
2. Figure 4 shows the total impact the switch has on HS-USB eye compliance when compared to Figure 3

Absolute Maximum Ratings

Stresses exceeding the absolute maximum ratings may damage the device. The device may not function or be operable above the recommended operating conditions and stressing the parts to these levels is not recommended. In addition, extended exposure to stresses above the recommended operating conditions may affect device reliability. The absolute maximum ratings are stress ratings only.

Symbol	Parameter	Min.	Max.	Unit	
V _{CC}	Supply Voltage	-0.50	5.25	V	
V _{CNTRL}	DC Input Voltage (SEL[1:0]) ⁽³⁾	-0.5	V _{CC}	V	
V _{SW}	DC Switch I/O Voltage ⁽³⁾	-0.50	5.25	V	
I _{IK}	DC Input Diode Current	-50		mA	
I _{OUT}	DC Switch Current		50	mA	
T _{STG}	Storage Temperature	-65	+150	°C	
MSL	Moisture Sensitivity Level (JEDEC J-STD-020A)		1	Level	
ESD	IEC61000-4-2 System on USB Connector Pins D+ & D-	Air Gap	15.0		kV
		Contact	8.0		
	Human Body Model, JEDEC: JESD22-A114	Power to GND	16.0		
		I/O to GND	5.0		
		All Pins	5.0		
Charged Device Model, JEDEC: JESD22-C101		1.5			

Note:

3. The input and output negative ratings may be exceeded if the input and output diode current ratings are observed.

Recommended Operating Conditions

The Recommended Operating Conditions table defines the conditions for actual device operation. Recommended operating conditions are specified to ensure optimal performance to the datasheet specifications. ON Semiconductor does not recommend exceeding them or designing to Absolute Maximum Ratings.

Symbol	Parameter	Min.	Max.	Unit
V _{CC}	Supply Voltage	2.7	4.4	V
V _{CNTRL} ⁽⁴⁾	Control Input Voltage (SEL[1:0])	0	V _{CC}	V
V _{SW}	Switch I/O Voltage	-0.5	4.3	V
T _A	Operating Temperature	-40	+85	°C

Note:

4. The control input must be held HIGH or LOW and it must not float.

DC Electrical Characteristics

All typical values are for $V_{CC}=3.3V$ at $T_A=25^\circ C$ unless otherwise specified.

Symbol	Parameter	Conditions	V _{CC} (V)	T _A = -40°C to +85°C			Units
				Min.	Typ.	Max.	
V _{IK}	Clamp Diode Voltage	I _{IN} =-18mA	2.7			-1.2	V
V _{IH}	Input Voltage High	SEL[1], SEL[0] Inputs	2.7 to 4.3	1.0			V
V _{IL}	Input Voltage Low	SEL[1], SEL[0] Inputs	2.7 to 4.3			0.35	V
I _{IN}	Control Input Leakage	All Combinations of SEL[1] & SEL[0] in the Truth Table (LOW=0V & HIGH=V _{CC})	4.3			1	μA
I _{OZ}	Off-State Leakage	0 ≤ D _n , HSD1 _n , HSD2 _n , HSD3 _n ≤ 3.6V	4.3	-2		2	μA
I _{OFF}	Power-Off Leakage Current (All I/O Ports)	V _{SW} =0V to 4.3V, V _{CC} =0V, Figure 7	0	-2		2	μA
R _{ON} ⁽⁵⁾	HS Switch On Resistance	V _{SW} =0.4V, I _{ON} =-8mA, Figure 6	3.0		6.0	7.8	Ω
ΔR _{ON}	HS Delta R _{ON} ⁽⁶⁾	V _{SW} =0.4V, I _{ON} =-8mA	3.0		0.50		Ω
I _{CCSLP}	Sleep Mode Supply Current	SEL[1]=SEL[0]=0	3.6			1	μA
I _{CCACT}	Active Mode Supply Current	V _{CNTRL} =0 or V _{CC} , I _{OUT} =0	2.7		7.5	15.0	μA
			3.6		8.5	16.0	μA
I _{CCCT}	Increase in I _{CC} Current per Control Input and V _{CC}	V _{CNTRL} =1.8V	3.6		1.5	4.0	μA
		V _{CNTRL} =1.2V	3.6		3.0	5.0	μA

Notes:

- Measured by the voltage drop between HSD_n and D_n pins at the indicated current through the switch. On resistance is determined by the lower of the voltage on the two (HSD_n or D_n ports).
- Guaranteed by characterization.

AC Electrical Characteristics

All typical values are for $V_{CC}=3.3V$ at $T_A=25^\circ C$ unless otherwise specified.

Symbol	Parameter	Conditions	V _{CC} (V)	T _A = -40°C to +85°C			Units
				Min.	Typ.	Max.	
t _{ON}	Turn-On Time when Switching from One USB Path (or Disabled i.e. SEL=00) to Another USB Path	R _L =50Ω, C _L =35pF V _{SW} =0.8V Figure 8, Figure 9	3.0 to 3.6	126		400	μs
t _{OFF}	Turn-Off Time SEL≠00 (Any of the Three USB Paths Active) to SEL=00 (Disabled)	R _L =50Ω, C _L =35pF V _{SW} =0.8V Figure 8, Figure 9	3.0 to 3.6			45	ns
t _{PD}	Propagation Delay ⁽⁷⁾	C _L =5pF, R _L =50Ω Figure 8, Figure 10	3.3		0.25		ns
t _{BBM}	Break-Before-Make Time	R _L =50Ω, C _L =35pF V _{SW1} =V _{SW2} =0.8V, Figure 12	3.0 to 3.6	126		400	μs
O _{IRR}	Off Isolation ⁽⁷⁾	R _L =50Ω, f=240MHz Figure 14	3.0 to 3.6		-42		dB
Xtalk	Non-Adjacent Channel Crosstalk ⁽⁷⁾	R _L =50Ω, f=240MHz Figure 15	3.0 to 3.6		-33		dB
BW	-3db Bandwidth ⁽⁷⁾	R _L =50Ω, C _L =0pF Figure 13	3.0 to 3.6			830	MHz
		R _L =50Ω, C _L =5pF Figure 13	3.0 to 3.6			510	MHz

Note:

- Guaranteed by characterization.

USB High-Speed Related AC Electrical Characteristics

Symbol	Parameter	Conditions	Vcc (V)	TA=- 40°C to +85°C			Units
				Min.	Typ.	Max.	
t _{SK(P)}	Pulse Skew ⁽⁸⁾	V _{SW} =0.2V _{diffPP} , Figure 11, C _L =5pF	3.0 to 3.6		10		ps
t _{SK(I)}	Skew Between Differential Signals within a Pair ⁽⁸⁾	V _{SW} =0.2V _{diffPP} , Figure 11, C _L =5pF	3.0 to 3.6		10		ps

Capacitance

Symbol	Parameter	Conditions	TA=- 40°C to +85°C			Units
			Min.	Typ.	Max.	
C _{IN}	SEL[1:0] Input Capacitance ⁽⁸⁾	V _{CC} =0V		3		pF
C _{ON}	D+/D- On Capacitance ⁽⁸⁾	V _{CC} =3.3V, Any of the Three Switch Paths Enabled, f=1MHz, Figure 17		6		
		V _{CC} =3.3V, Any of the Three Switch Paths Enabled, f=240MHz ⁽⁹⁾		5		
C _{OFF}	HSD1 _n , HSD2 _n , HSD3 _n Off Capacitance ⁽⁸⁾	V _{CC} =0V or (V _{CC} =3.3V and SEL[1]=SEL[0]=0V) Figure 16		2		

Notes:

- 8. Guaranteed by characterization.
- 9. Effective capacitance measured on a network analyzer.

Reference Schematic

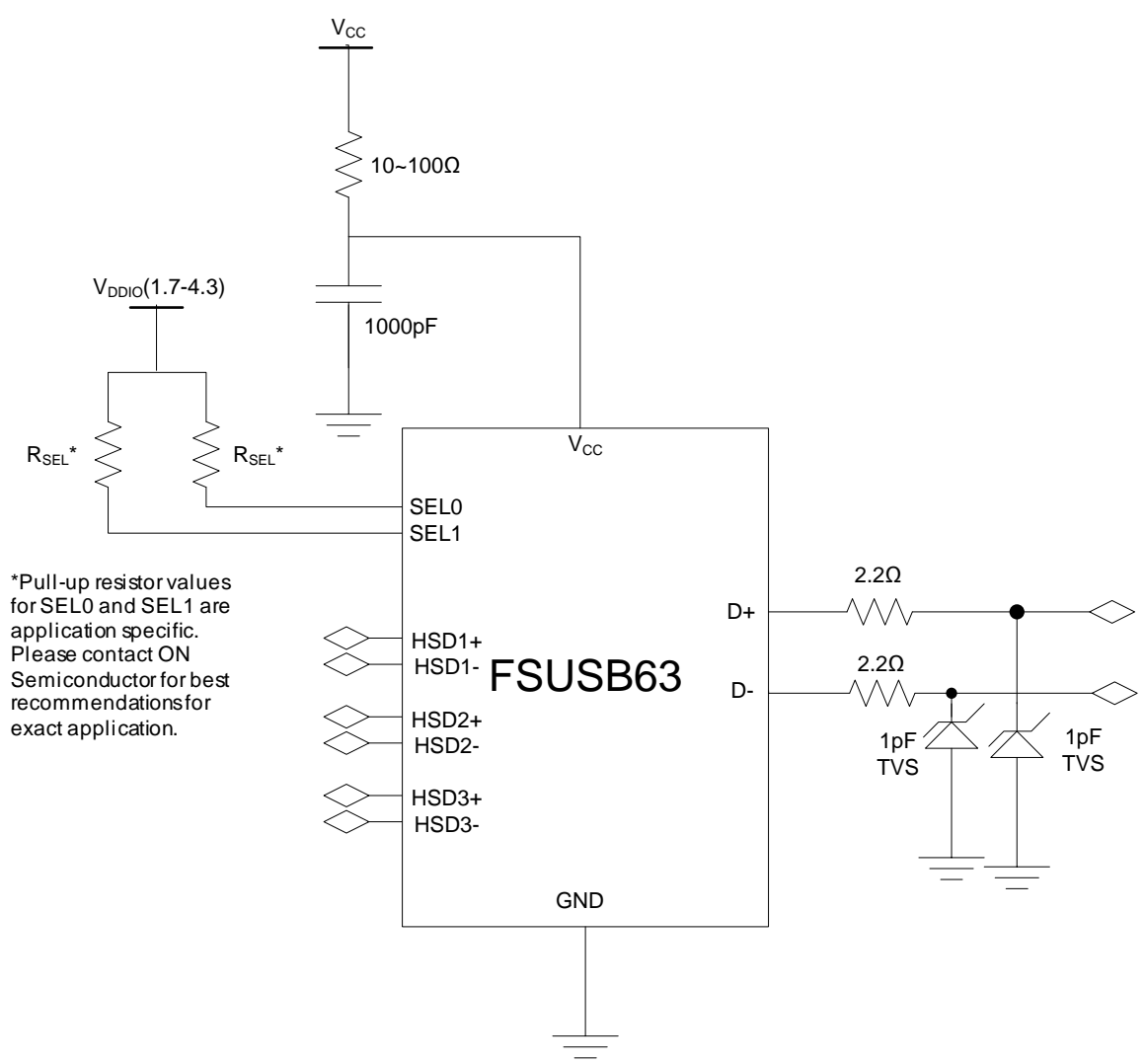


Figure 5. Reference Schematic

Test Diagrams

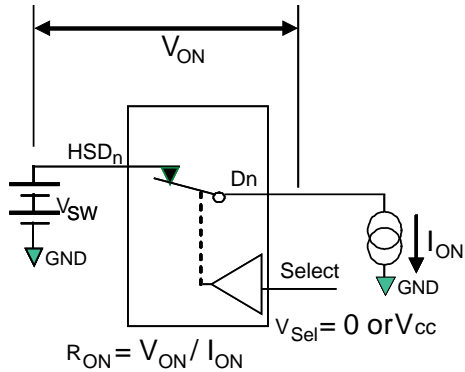
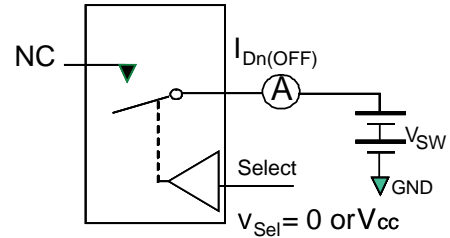
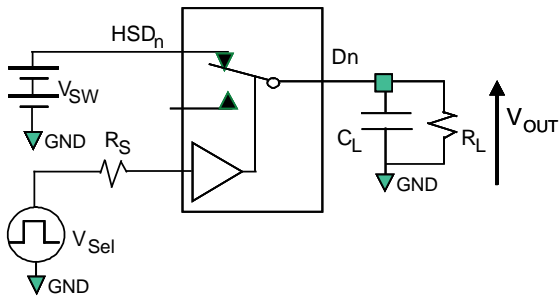


Figure 6. On Resistance



**Each switch port is tested separately

Figure 7. Off Leakage



R_L , R_S , and C_L are functions of the application environment (see AC Tables for specific values)
 C_L includes test fixture and stray capacitance.

Figure 8. AC Test Circuit Load

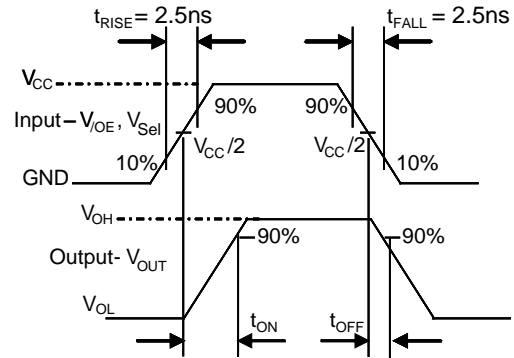


Figure 9. Turn-On / Turn-Off Waveforms

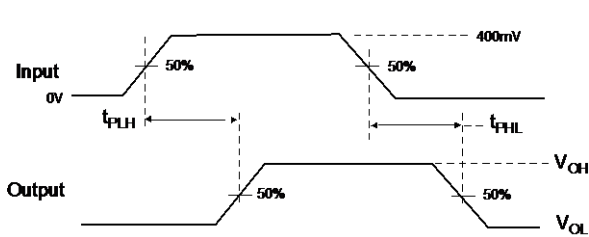


Figure 10. Propagation Delay ($t_{RTF} = 500ps$)

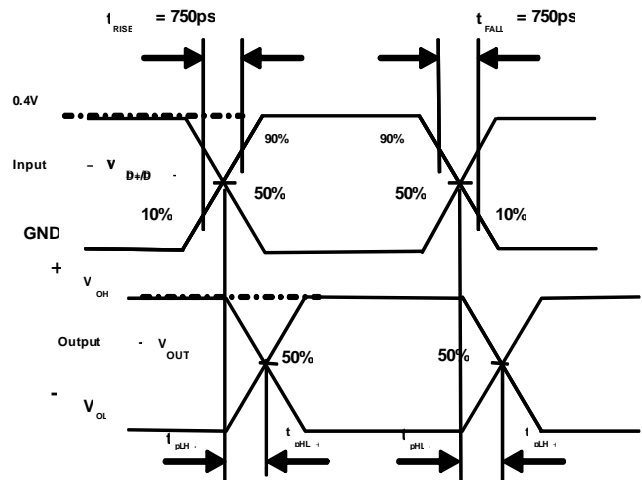
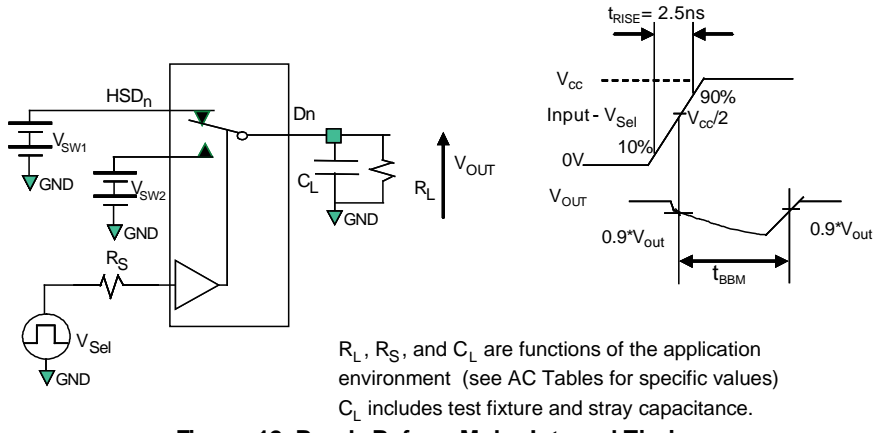


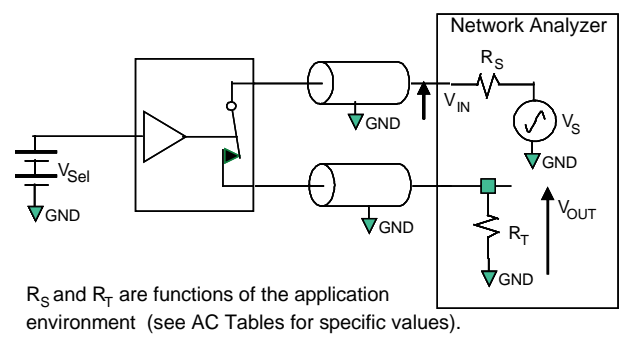
Figure 11. Skew Test Waveforms
 $t_{SK(P)} = |t_{PHL-} - t_{PHL+}|$ or $|t_{PLH+} - t_{PLH-}|$
 $t_{SK(I)} = |t_{PLH-} - t_{PHL+}|$ or $|t_{PLH+} - t_{PHL-}|$

Test Diagrams (Continued)



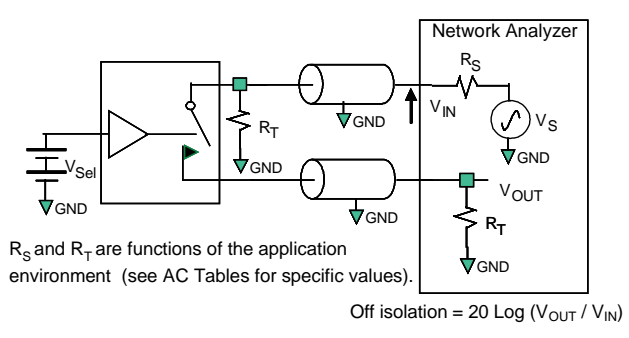
R_L , R_S , and C_L are functions of the application environment (see AC Tables for specific values)
 C_L includes test fixture and stray capacitance.

Figure 12. Break-Before-Make Interval Timing



R_S and R_T are functions of the application environment (see AC Tables for specific values).

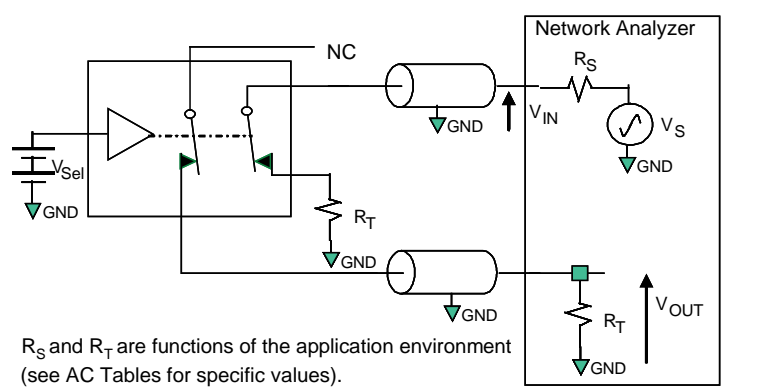
Figure 13. Bandwidth



R_S and R_T are functions of the application environment (see AC Tables for specific values).

Off isolation = $20 \text{ Log} (V_{OUT} / V_{IN})$

Figure 14. Channel Off Isolation



R_S and R_T are functions of the application environment (see AC Tables for specific values).

Crosstalk = $20 \text{ Log} (V_{OUT} / V_{IN})$

Figure 15. Non-Adjacent Channel-to-Channel Crosstalk

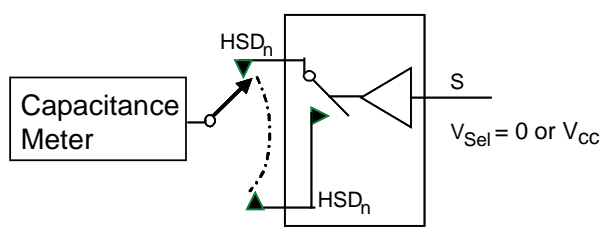


Figure 16. Channel Off Capacitance

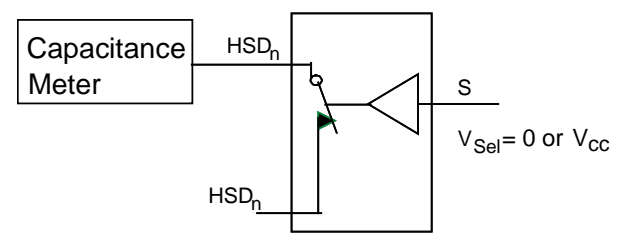
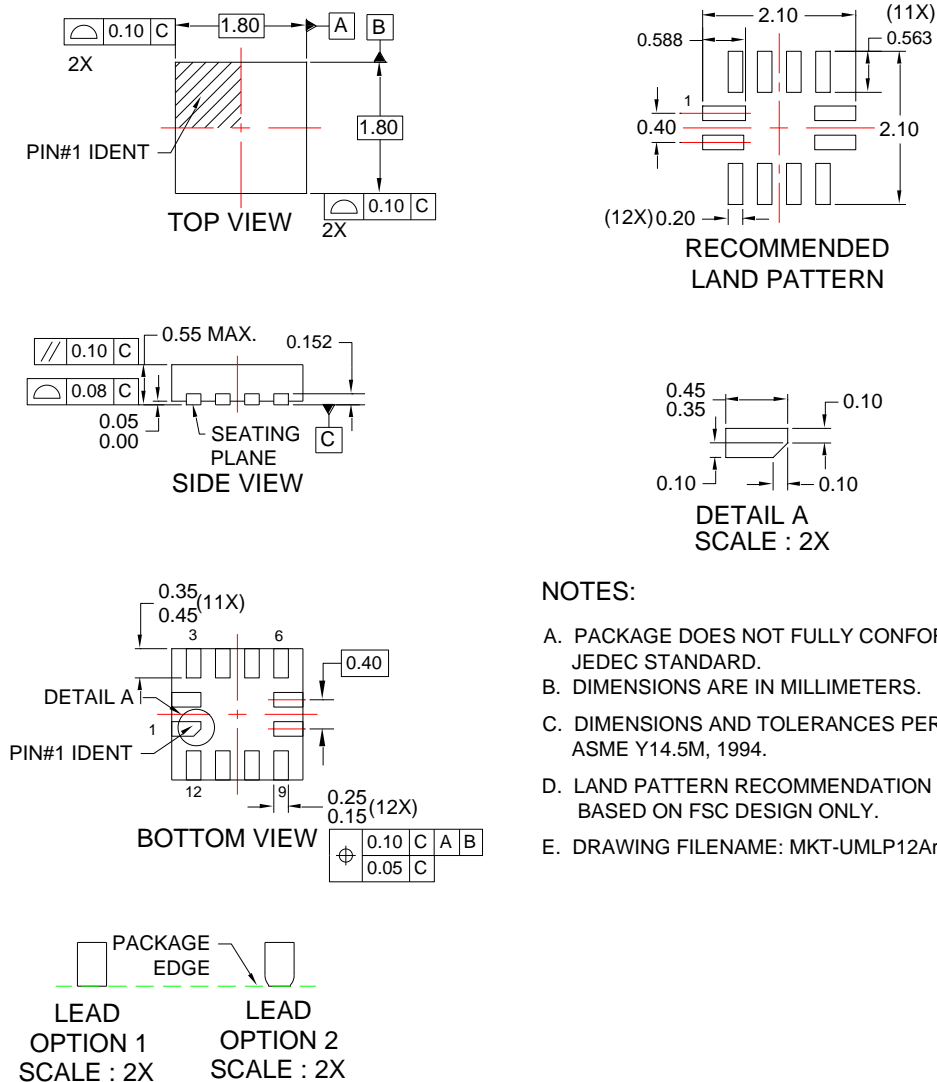


Figure 17. Channel On Capacitance

Physical Dimensions



NOTES:

- A. PACKAGE DOES NOT FULLY CONFORM TO JEDEC STANDARD.
- B. DIMENSIONS ARE IN MILLIMETERS.
- C. DIMENSIONS AND TOLERANCES PER ASME Y14.5M, 1994.
- D. LAND PATTERN RECOMMENDATION IS BASED ON FSC DESIGN ONLY.
- E. DRAWING FILENAME: MKT-UMLP12Arev4.

Figure 18. 12-Lead, Ultrathin Molded Leadless Package (UMLP)

Ordering Information

Part Number	Top Mark	Operating Temperature Range	Package
FSUSB63UMX	KG	-40 to +85°C	12-Lead, Quad, Ultrathin Molded Leadless Package (UMLP), 1.8mm x 1.8mm x 0.55mm, 0.4mm pitch

Package drawings are provided as a service to customers considering ON Semiconductor components. Drawings may change in any manner without notice. Please note the revision and/or date on the drawing and contact a ON Semiconductor representative to verify or obtain the most recent revision. Package specifications do not expand the terms of ON Semiconductor's worldwide terms and conditions, specifically the warranty therein, which covers ON Semiconductor products.

ON Semiconductor and the ON Semiconductor logo are trademarks of Semiconductor Components Industries, LLC dba ON Semiconductor or its subsidiaries in the United States and/or other countries. ON Semiconductor owns the rights to a number of patents, trademarks, copyrights, trade secrets, and other intellectual property. A listing of ON Semiconductor's product/patent coverage may be accessed at www.onsemi.com/site/pdf/Patent-Marking.pdf. ON Semiconductor reserves the right to make changes without further notice to any products herein. ON Semiconductor makes no warranty, representation or guarantee regarding the suitability of its products for any particular purpose, nor does ON Semiconductor assume any liability arising out of the application or use of any product or circuit, and specifically disclaims any and all liability, including without limitation special, consequential or incidental damages. Buyer is responsible for its products and applications using ON Semiconductor products, including compliance with all laws, regulations and safety requirements or standards, regardless of any support or applications information provided by ON Semiconductor. "Typical" parameters which may be provided in ON Semiconductor data sheets and/or specifications can and do vary in different applications and actual performance may vary over time. All operating parameters, including "Typicals" must be validated for each customer application by customer's technical experts. ON Semiconductor does not convey any license under its patent rights nor the rights of others. ON Semiconductor products are not designed, intended, or authorized for use as a critical component in life support systems or any FDA Class 3 medical devices or medical devices with a same or similar classification in a foreign jurisdiction or any devices intended for implantation in the human body. Should Buyer purchase or use ON Semiconductor products for any such unintended or unauthorized application, Buyer shall indemnify and hold ON Semiconductor and its officers, employees, subsidiaries, affiliates, and distributors harmless against all claims, costs, damages, and expenses, and reasonable attorney fees arising out of, directly or indirectly, any claim of personal injury or death associated with such unintended or unauthorized use, even if such claim alleges that ON Semiconductor was negligent regarding the design or manufacture of the part. ON Semiconductor is an Equal Opportunity/Affirmative Action Employer. This literature is subject to all applicable copyright laws and is not for resale in any manner.

PUBLICATION ORDERING INFORMATION

LITERATURE FULFILLMENT:

Literature Distribution Center for ON Semiconductor
 19521 E. 32nd Pkwy, Aurora, Colorado 80011 USA
Phone: 303-675-2175 or 800-344-3860 Toll Free USA/Canada
Fax: 303-675-2176 or 800-344-3867 Toll Free USA/Canada
Email: orderlit@onsemi.com

N. American Technical Support: 800-282-9855 Toll Free
 USA/Canada.
Europe, Middle East and Africa Technical Support:
 Phone: 421 33 790 2910
Japan Customer Focus Center
 Phone: 81-3-5817-1050

ON Semiconductor Website: www.onsemi.com
Order Literature: <http://www.onsemi.com/orderlit>

For additional information, please contact your local Sales Representative

Mouser Electronics

Authorized Distributor

Click to View Pricing, Inventory, Delivery & Lifecycle Information:

[onsemi:](#)

[FSUSB63UMX](#)