

SPECIFICATION FOR APPROVAL

CUSTOMER : _____

PRODUCT TYPE : SMD SEAM SEALING X'TAL 3.2*2.5

NOMINAL FREQ. : 16.000000MHz

TXC P/N : 7M16000099

REVISION : A1

CUSTOMER P/N : _____

PM / SALES : _____

DATE : _____

CUSTOMER SIGNATURE & Date

- (1) TXC requires one copy returned with signature and title of authorized individual that signifies acceptance of the attached specifications.
- (2) Orders received and accepted by TXC after return of signed copy of specification will be produced per these specifications.
- (3) Any changes to these specifications must be agreed upon by both parties and new revision of the Product Specification Sheet will be issued.

Attachment: Product Specification Sheet

- 1
- 2
- 3
- 4
- 5

RoHS Compliant

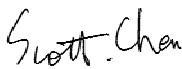

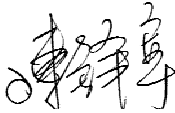
PRODUCT SPECIFICATION SHEET

PRODUCT TYPE : SMD SEAM SEALING X'TAL 3.2*2.5

NOMINAL FREQ. : 16.000000MHz

TXC P/N : 7M16000099

REVISION : A1

PE/RD	QA	MFG
		
9-Jun-05	10-Jun-05	10-Jun-05

NOTE:

- (1)Lead Free Products are "Directive 2002/95/EC of The European Parliament of 27 January 2003 on the restriction of the use of certain hazardous substances (RoHS) in electrical and electronic equipment" Compliant (Attachment: SGS Test Report).
- (2)Revision "Sx" is for engineering samples only. PE/RD's approval required.
- (3)Revision "Ax" is production ready. PE, QA and MFG's approval required

RoHS Compliant

ELECTRICAL SPECIFICATIONS

Standard atmospheric conditions

Unless otherwise specified, the standard range of atmospheric conditions for making measurement and tests are as follow:

- Ambient temperature : 22±5°C
- Relative temperature : 40%~70%

If there is no doubt about the results, measurement shall be made within the following limits:

- Ambient temperature : 22±1°C
- Relative temperature : 40%~70%

Measure equipment

Electrical characteristics measured by HP E5100A or equivalent.

Crystal cutting type

The crystal is using AT CUT (thickness shear mode).

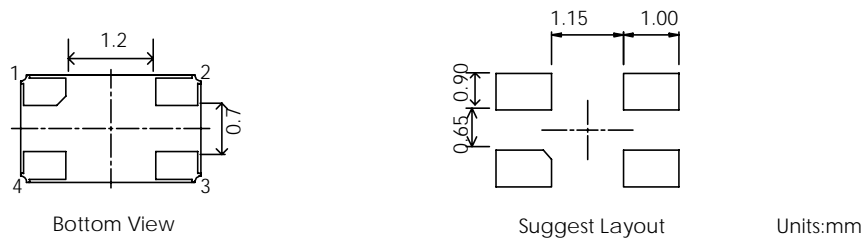
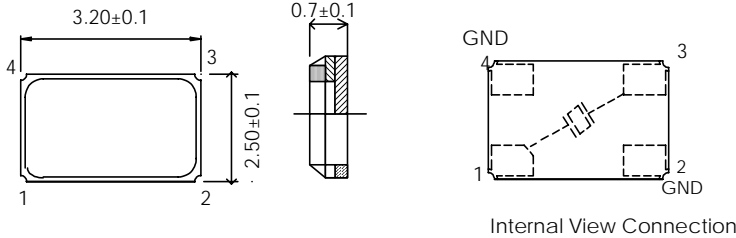
Unit Weight:

0.018±0.001 g/pcs

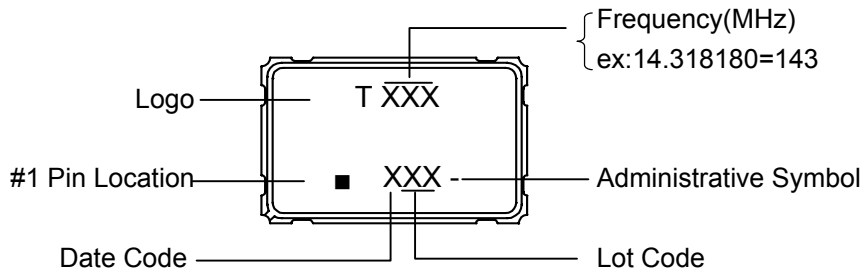
	Parameters	SYM.	Electrical Spec.				Notes
			MIN	TYPE	MAX	UNITS	
1	Nominal Frequency	FL	16.000000			MHZ	-
2	Oscillation Mode	-	Fundamental			-	-
3	Load Capacitance	CL	9			pF	-
4	Frequency Tolerance	-	±10			ppm	at 25 °C ± 3 °C
5	Frequency Tolerance	-	±15			ppm	Over Operating Temp. Range (Reference 25°C)
6	Operating Temperature	-	-20	~	85	°C	-
7	Aging	-	±3			ppm	1st Year
8	Drive Level	DL	-	10	-	uW	-
9	Effective Resistance Rr	Rr	-	-	50	Ω	-
10	Shunt Capacitance C0	C0	-	-	5	pF	-
11	Motional Capacitance C1	C1	-	-	NA	fF	-
12	Insulation Resistance	-	500	-	-	MΩ	at DC 100V
13	Storage Temperature Range	-	-40	~	85	°C	-

■ DIMENSIONS

- 1. Crystal enclosure seal : Seam Weld
- 2. Crystal enclosure medium : Vacuum



■ MARKING



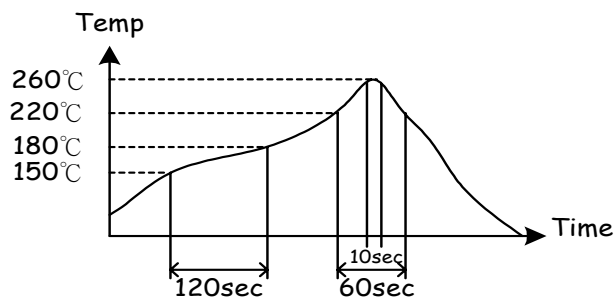
Date Code

YEAR \ MONTH					JAN	FEB	MAR	APR	MAY	JUN	JUL	AUG	SEP	OCT	NOV	DEC
					A	B	C	D	E	F	G	H	J	K	L	M
2001	2005	2009	2013	2017	N	P	Q	R	S	T	U	V	W	X	Y	Z
2002	2006	2010	2014	2018	a	b	c	d	e	f	g	h	j	k	l	m
2003	2007	2011	2015	2019	n	p	q	r	s	t	u	v	w	x	y	z
2004	2008	2012	2016	2020												

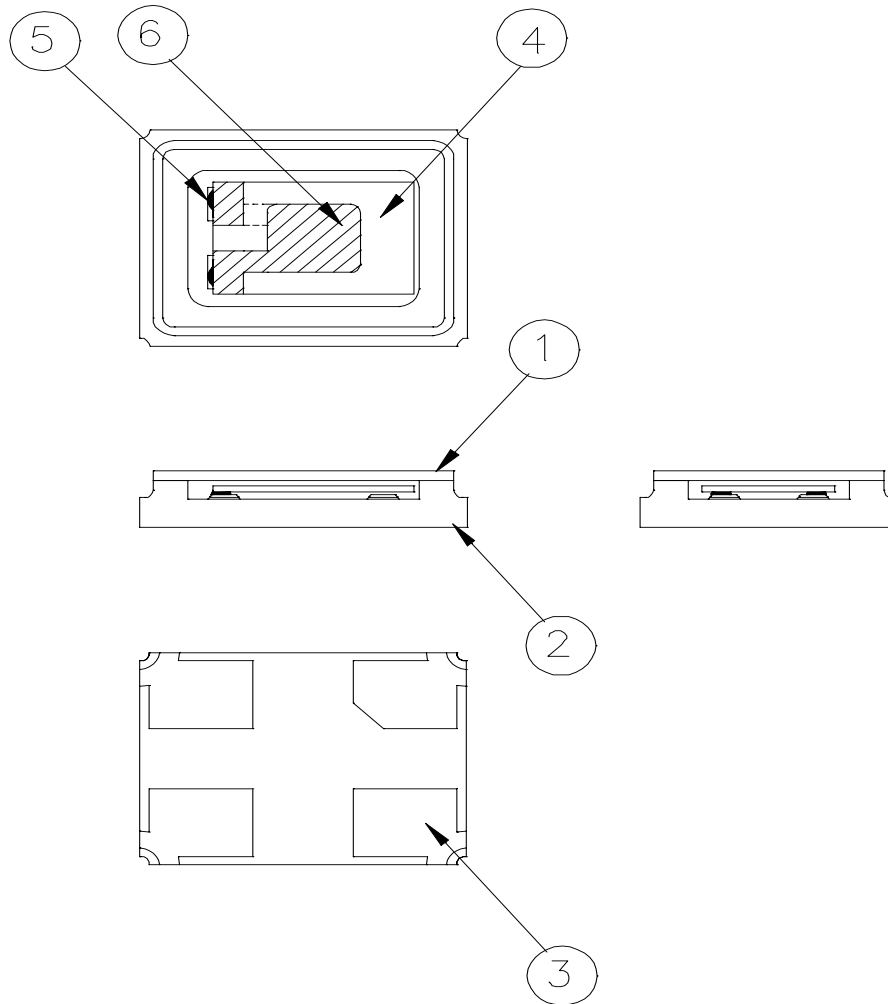
This date code will be cycled every four years

■ SUGGESTED REFLOW PROFILE

- Total time : 200 sec. Max.
- Solder melting point :220 °C

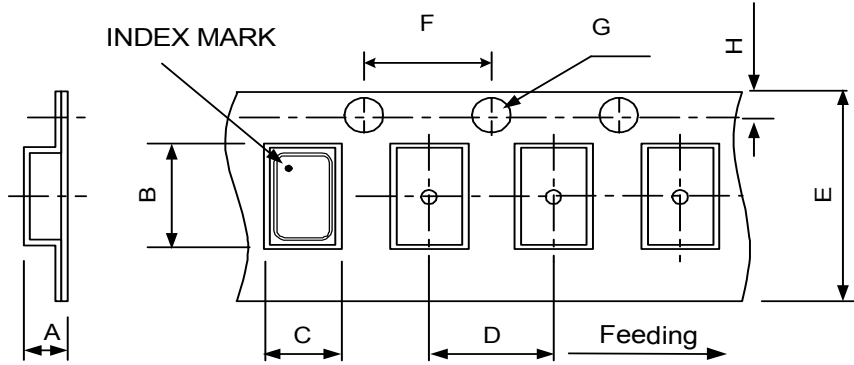


■ STRUCTURE ILLUSTRATION



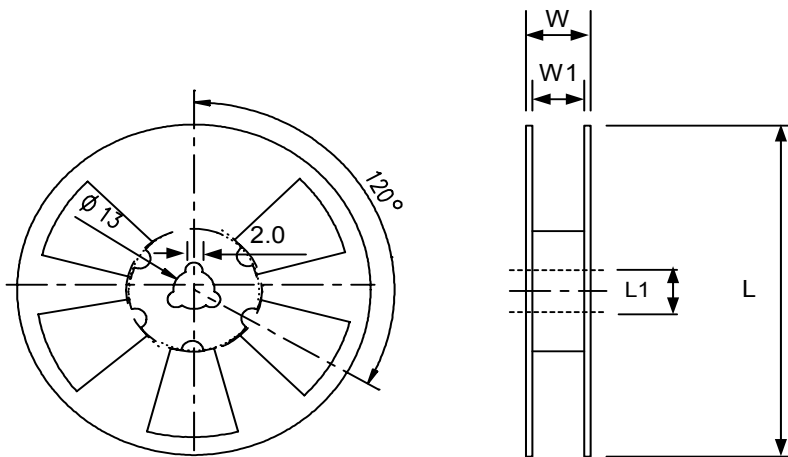
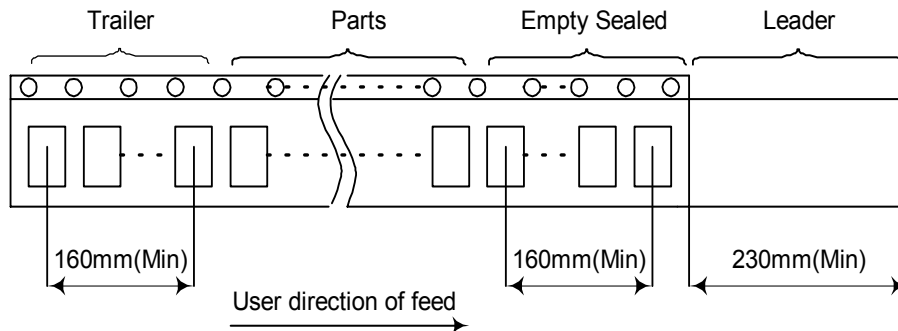
NO	COMPONENTS	MATERIALS	QTY	FINISH/SPECIFICATIONS
1	Cap	Metal (Fe)	1	-
2	Base	Ceramic	1	Color black
3	PAD	Au	4	Tungsten metalize + Ni plating + Au plating
4	Crystal blank	SiO ₂	1	-
5	Conductive adhesive	Ag	4	Epoxy resin
6	Electrode	Ag + Cr	2	-

■ PACKING : (EIA-481-2)



DIMENSIONS	A	B	C	D	E	F	G	H	(UNIT : mm)
	1.40	3.40	2.70	4.00	8.00	4.00	1.50	1.75	

REMARK :



DIMENSIONS	L	L1	W	W1	pcs / Reel (UNIT : mm)
	178	13	11.5	8	Standard Reel Quantity is 3,000 pcs per reel



Test Report

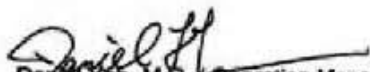
TXC COROPATION
NO. 4, KUNG YEH 6TH ROAD, PING CHENG
INDUSTRIAL DISTRICT, PING CHENG CITY, TAO
YUAN HSIEN, TAIWAN, R. O. C.

Report No. : CE/2004/B4941
Date : 2004/12/03
Page : 1 of 3

The following merchandise was (were) submitted and identified by the client as :

Type of Product : QUARTZ CRYSTAL UNIT
Style/Item No : SMD X' TAL
Sample Received : 2004/11/26
Testing Date : 2004/11/26 TO 2004/12/03

=====
Test Result : - Please see the next page -


Daniel Yeh, M.H. / Operation Manager
Signed for and on behalf of
SGS TAIWAN LTD.

The content of this PDF file is in accordance with the original issued reports for reference only. This Test Report cannot be reproduced, except in full, without prior written permission of the Company.



Test Report

TXC COROPATION
 NO. 4, KUNG YEH 6TH ROAD, PING CHENG
 INDUSTRIAL DISTRICT, PING CHENG CITY, TAO
 YUAN HSIEN, TAIWAN, R. O. C.

Report No. : CE/2004/B4941
 Date : 2004/12/03
 Page : 2 of 3

Test Result

PART NAME NO.1 : PLEASE REFER TO THE PHOTO(S) ATTACHED.(MIXED ALL PARTS)

Test Item (s):	Unit	Method	MDL	Result			
				No.1			
PBBs(Polybrominated biphenyls)(CAS NO:059536-65-1)	%	With reference to USEPA3540 or USEPA3550. Analysis was performed by HPLC/DAD, LC/MS or GC/MS. (prohibited by 2002/95/EC (RoHS), 83/264/EEC, and 76/769/EEC)	0.0005	N.D.			
PBBEs(PBDEs)(Polybrominated biphenyl ethers)	%	With reference to USEPA3540 or USEPA3550. Analysis was performed by HPLC/DAD, LC/MS or GC/MS. (prohibited by 2002/95/EC (RoHS), 83/264/EEC, and 76/769/EEC)	0.0005	N.D.			

Test Item (s):	Unit	Method	MDL	Result			
				No.1			
Chromium VI (Cr+6)	ppm	As per US EPA 7196A and US EPA 3060A.	2	N.D.			
Cadmium (Cd)	ppm	ICP-AES after as per EN 1122, method B:2001 or other acid digestion.	2	N.D.			
Mercury (Hg)	ppm	ICP-AES after as per US EPA 3052 or other acid digestion.	2	N.D.			
Lead (Pb)	ppm	ICP-AES after as per US EPA 3050B or other acid digestion.	2	N.D.			

NOTE: (1) N.D. = Not detected (<MDL)
 (2) ppm = mg/kg
 (3) MDL = Method Detection Limit

The content of this PDF file is in accordance with the original issued reports for reference only. This Test Report cannot be reproduced, except in full, without prior written permission of the Company.