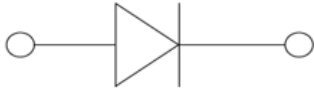




Small Signal Schottky Diode



SOD323

Features

- Epoxy meets UL-94 V-0 flammability rating and halogen free
- Moisture Sensitivity Level 1
- For Surface Mount Application
- Part no. with suffix "Q" means AEC-Q101 qualified

Mechanical Data

- **Case:** SOD323
- **Terminals:** Tin plated leads, solderable per J-STD-002 and JESD22-B102
- **Polarity:** Cathode line denotes the cathode end
- **Marking:**

	Marking
SD101AWSQ	S1
SD101BWSQ	S2
SD101CWSQ	S3

■ Maximum Ratings (Ta=25°C Unless otherwise specified)

PARAMETER	SYMBOL	UNIT	CONDITIONS	PART	VALUE
Peak Repetitive Reverse Voltage	V_{RRM}	V		SD101AWSQ	60
				SD101BWSQ	50
				SD101CWSQ	40
Average Forward Current	I_{FAV}	A			0.07
Peak Forward Surge Current	I_{FSM}	A	8.3ms, half sine		0.7
Power Dissipation	P_D	mW			200
Thermal Resistance Junction to Ambient	R_{thJA}	°C/W			500
Maximum Junction Temperature	T_J	°C			125
Storage Temperature Range	T_{stg}	°C			-55to +150

■ Electrical Characteristics (Ta=25°C Unless otherwise specified)

PARAMETER	SYMBOL	UNIT	CONDITIONS	PART	MIN	MAX
Reverse Breakdown Voltage	$V_{(BR)R}$	V	$I_R=10\mu A$	SD101AWSQ	60	-
				SD101BWSQ	50	-
				SD101CWSQ	40	-
Forward Voltage	V_F	V	$I_F=1.0mA$	SD101AWSQ	-	0.41
				SD101BWSQ	-	0.40
				SD101CWSQ	-	0.39
Forward Voltage	V_F	V	$I_F=15mA$		-	1.0
Reverse Leakage Current	I_R	μA	$V_R=50V$	SD101AWSQ	-	0.2
			$V_R=40V$	SD101BWSQ	-	
			$V_R=30V$	SD101CWSQ	-	
Junction Capacitance	C_J	pF	$V_R=1V, f=1MHz$		-	4

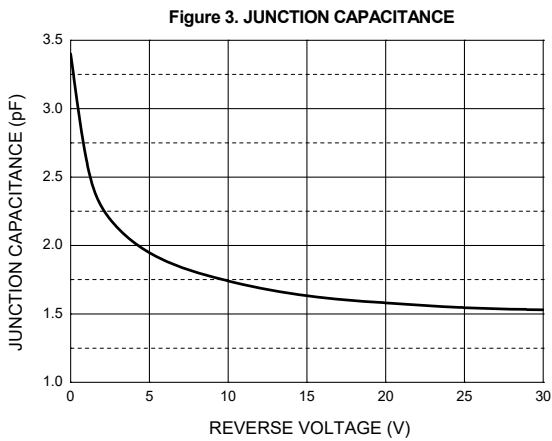
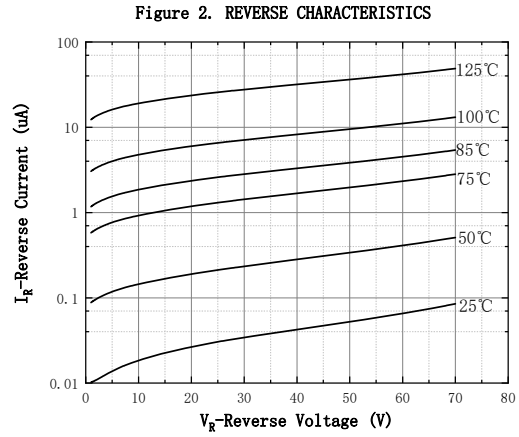
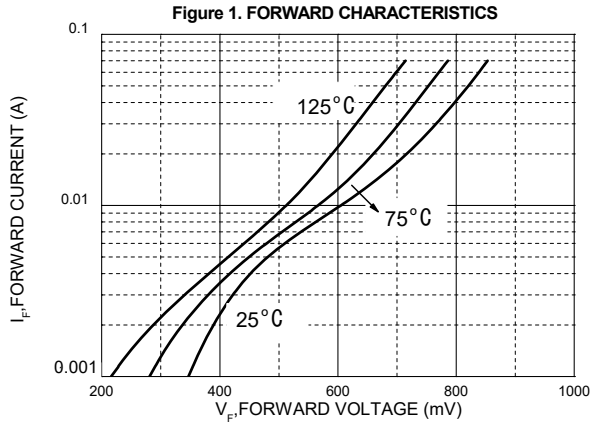


SD101AWSQ & SD101BWSQ & SD101CWSQ

Ordering Information (Example)

PREFERRED P/N	PACKING CODE	UNIT WEIGHT(g)	MINIMUM PACKAGE(pcs)	INNER BOX QUANTITY(pcs)	OUTER CARTON QUANTITY(pcs)	DELIVERY MODE
SD101AWSQ& SD101BWSQ& SD101CWSQ	F2	Approximate 0.0045	3000	30000	120000	7" reel

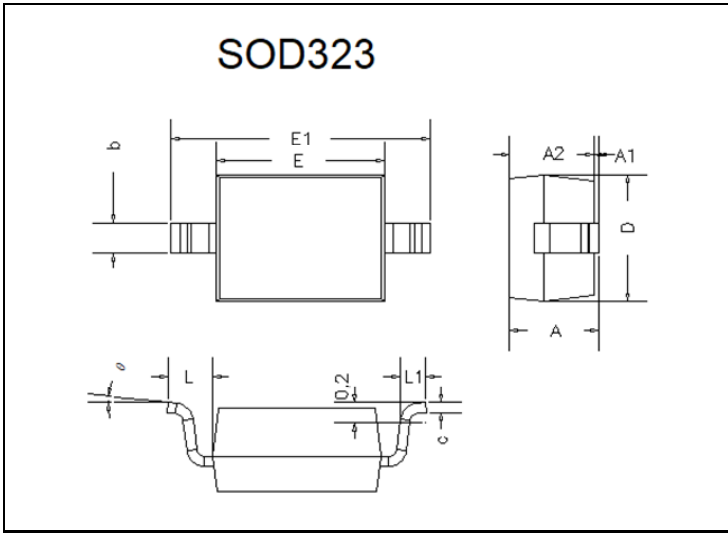
Characteristics(Typical)





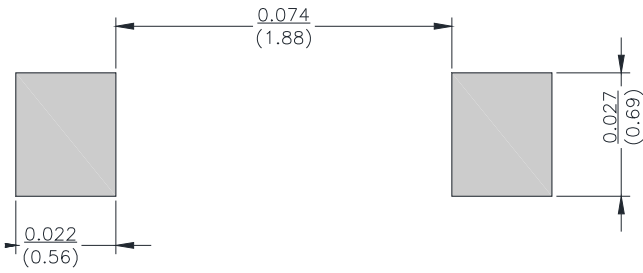
SD101AWSQ & SD101BWSQ & SD101CWSQ

■ Outline Dimensions



DIM	INCHES		MM		NOTE
	MIN	MAX	MIN	MAX	
A	-	0.039	-	1.00	
A1	0.000	0.004	0.00	0.10	
A2	0.031	0.035	0.80	0.90	
b	0.010	0.016	0.25	0.40	
c	0.003	0.007	0.08	0.17	
D	0.047	0.055	1.20	1.40	
E	0.063	0.071	1.60	1.80	
E1	0.098	0.106	2.50	2.70	
L	0.019REF		0.475REF		
L1	0.008	0.016	0.20	0.40	
θ	0°	8°	0°	8°	

■ Soldering Footprint



Unit: $\frac{\text{inch}}{\text{mm}}$



SD101AWSQ & SD101BWSQ & SD101CWSQ

Disclaimer

The information presented in this document is for reference only. Yangzhou Yangjie Electronic Technology Co., Ltd. reserves the right to make changes without notice for the specification of the products displayed herein to improve reliability, function or design or otherwise.

The product listed herein is designed to be used with automotive electronics, are not designed for use in medical, life-saving, lifesustaining, or military, Yangjie or anyone on its behalf, assumes no responsibility or liability for any damages resulting from such improper use of sale.

This publication supersedes & replaces all information previously supplied. For additional information, please visit our website [http:// www.21yangjie.com](http://www.21yangjie.com) , or consult your nearest Yangjie's sales office for further assistance.