

## BG GHDE LED TL M4 PT6

**Weidmüller Interface GmbH & Co. KG**

Klingenbergstraße 26

D-32758 Detmold

Germany

[www.weidmueller.com](http://www.weidmueller.com)



### Energy-efficient basic lighting with a long service life

- LED lamp for harsh environmental conditions (shocks and vibration, temperature range)
- higher energy efficiency and service life than fluorescent lamps
- Can be used worldwide thanks to the multi-voltage input (20 V...60 VDC)
- high fire protection classification V0
- Beam direction to one side
- 5W Power

### Versions

- Pluggable with heavy duty connector and round connector
- Pre-assembled 2.5 mm<sup>2</sup>

### General ordering data

Order No.	<a href="#">1390870000</a>
Type	BG GHDE LED TL M4 PT6
GTIN (EAN)	4050118191059

**BG GHDE LED TL M4 PT6****Weidmüller Interface GmbH & Co. KG**

Klingenbergstraße 26

D-32758 Detmold

Germany

www.weidmueller.com

**Technical data****Dimensions and weights**

Height	46 mm	Height (inches)	1.811 inch
Width	104 mm	Width (inches)	4.094 inch
Length	181 mm	Length (inches)	7.126 inch
Net weight	566 g		

**Temperatures**

Operating temperature	-40 °C...60 °C
-----------------------	----------------

**Environmental Product Compliance**

REACH SVHC	Lead 7439-92-1, Potassium perfluorobutane sulfonate 29420-49-3	SCIP	730dada5-5c8b-4737-8e0b-847db05
------------	--	------	---------------------------------

**General data**

Amplitude of acceleration	5 m/s <sup>2</sup> (@ 9-200 Hz)	Amplitude of deflection	1.5 mm (2-9 Hz)
Circuit breaker	< 10 A	Halogen	yes (PVC cable)
Height	≤ 3000 m	Insulation voltage	< 500 V (housing/PE)
LED operating life	> 50.000 h	Line type	Heluwind WK 103w-T 3G1,5 (AD 8 mm)
Mounting position, installation notice	Arbitrary	Peak acceleration, type L	70 m/s <sup>2</sup>
Pollution severity	2	Protection class	II
Protection degree	IP65	Shape of the LED module	Other
Shock resistance EN 60721-3-3	Class 3M3	Short-circuit protection	internal
Silicone	No	Surge voltage category	II
Type of connection	Open cable end/length 2 m	UL 94 flammability rating	V-0
Vibration resistance EN 60721-3-3	Class 3M3, EN 60721-3-3		

**Rated data acc. to IEC 60598-1**

Input voltage	100...265 V DC (45...65 Hz)	Inrush current	0.5 A @ 0.1 ms
Power loss	< 2 W	Power rating	7 W
Rated voltage	265		

**Classifications**

ETIM 6.0	EC000996	ETIM 7.0	EC000996
ETIM 8.0	EC000996	ECLASS 9.1	27-11-06-35
ECLASS 10.0	27-11-06-35	ECLASS 11.0	27-11-06-35
ECLASS 12.0	27-11-06-35		

**Approvals**

Approvals



ROHS	Conform
UL File Number Search	UL Website
Certificate no. (cULus)	E345151

Creation date September 16, 2022 4:27:05 AM CEST

Catalogue status 09.09.2022 / We reserve the right to make technical changes.

2

**Data sheet**

**BG GHDE LED TL M4 PT6**

**Weidmüller Interface GmbH & Co. KG**  
Klingenbergstraße 26  
D-32758 Detmold  
Germany

[www.weidmueller.com](http://www.weidmueller.com)

**Technical data**

**Downloads**

Approval/Certificate/Document of  
Conformity

[FieldPower LED](#)

Catalogues

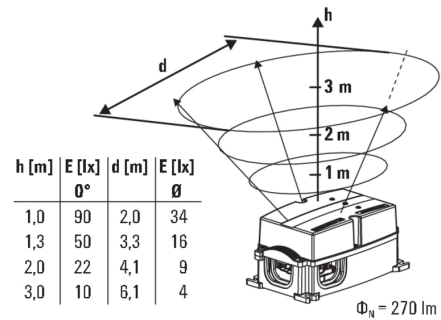
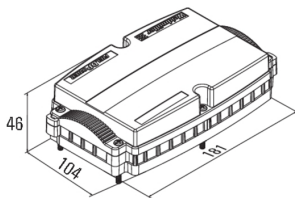
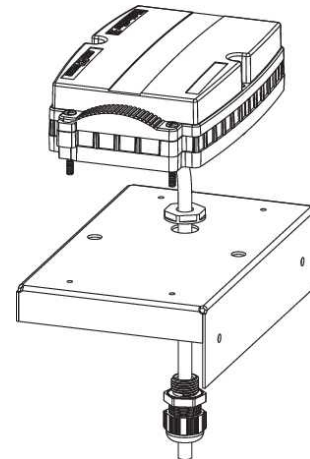
[Catalogues in PDF-format](#)

**BG GHDE LED TL M4 PT6**

**Weidmüller Interface GmbH & Co. KG**  
 Klingenbergstraße 26  
 D-32758 Detmold  
 Germany

[www.weidmueller.com](http://www.weidmueller.com)

**Drawings**



# Mouser Electronics

Authorized Distributor

Click to View Pricing, Inventory, Delivery & Lifecycle Information:

[Weidmuller:](#)

[1390870000](#)