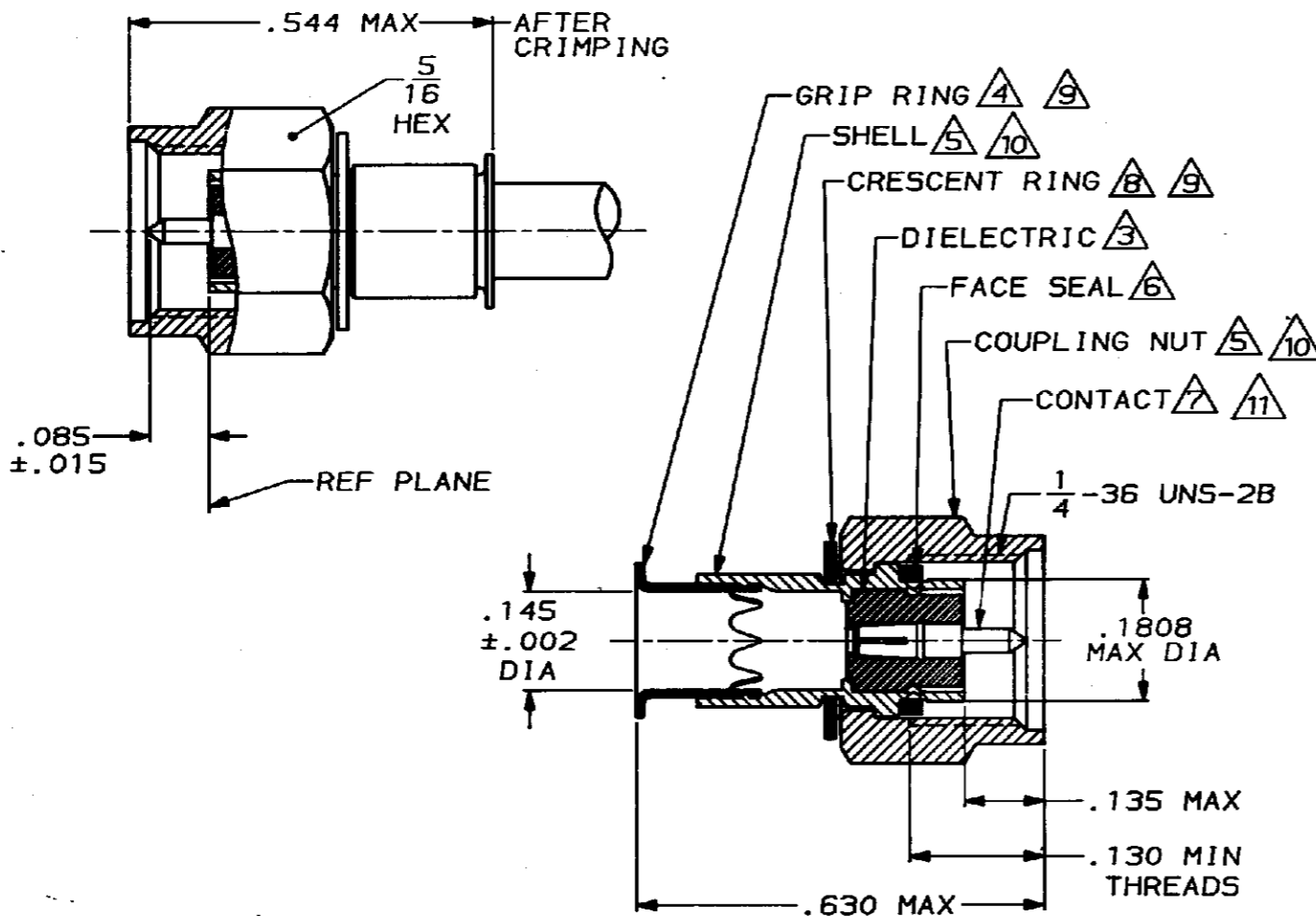


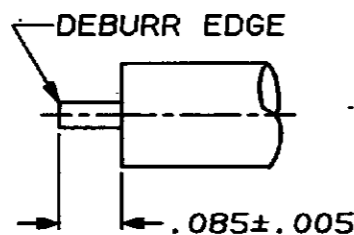
DRAWING MADE IN THIRD ANGLE PROJECTION

THIS DRAWING IS UNPUBLISHED. RELEASED FOR PUBLICATION ,19  
 © COPYRIGHT 19 BY AMP INCORPORATED, HARRISBURG, PA. ALL INTERNATIONAL RIGHTS RESERVED. AMP PRODUCTS MAY BE COVERED BY U.S. AND FOREIGN PATENTS AND/OR PATENTS PENDING.

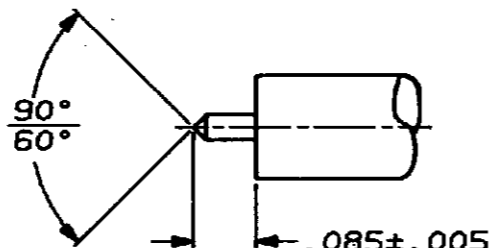
MOD	LOC	DIST	P	F	REVISIONS				
9	AJ	16			ZONE	LTR	DESCRIPTION	DATE	APPROVED
					B		REDWN & REV PER AJ-2377	7/16/87	KV/mS



- FOR USE WITH: RG-402/U, .141 SEMI RIGID CABLE
- SEE I.S. 6788
- PTFE PER MIL-P-19468
- BRASS PER MIL-C-50
- STAINLESS STEEL PER ASTM-A-582
- SILICONE RUBBER PER ZZ-R-765
- BERYLLIUM COPPER PER QQ-C-530
- BERYLLIUM COPPER, ALLOY #25
- NICKEL PL PER QQ-N-290
- PASSIVATED PER QQ-P-35
- GOLD PL PER MIL-G-45204
- 00779 M39012/79-3308
- .500 MIN LENGTH OF STRAIGHT CABLE REQUIRED TO APPLY THE CONNECTOR



OPTIONAL STRIP LENGTH



RECOMMENDED STRIP LENGTH

UNLESS OTHERWISE SPECIFIED DIMENSIONS ARE IN INCHES TOLERANCES ON:  
 2 PL DEC ± \_\_\_\_\_  
 3 PL DEC ± \_\_\_\_\_  
 ANGLES ± \_\_\_\_\_

MATERIAL  
 3 THRU 7

FINISH  
 9 THRU 11

DR. *[Signature]* 7-16-87  
 CHK. *[Signature]* 7/16/87  
 APPD. *[Signature]* 7/16/87  
 APPD. *[Signature]* 7/16/87

PRODUCT SPEC  
 108-12055

APPLICATION SPEC

WEIGHT

AMP INCORPORATED  
 Harrisburg, Pa. 17105

NAME  
 PLUG, MIL-F, SERIES SMA

SIZE B FSCN NO 00779 DRAWING NO 228634-1

SCALE 5:1 SHEET 1 OF 1

228634-1  
 PART NO

# Mouser Electronics

Authorized Distributor

Click to View Pricing, Inventory, Delivery & Lifecycle Information:

[TE Connectivity:](#)

[228634-1](#)