



7N65-ML

Power MOSFET

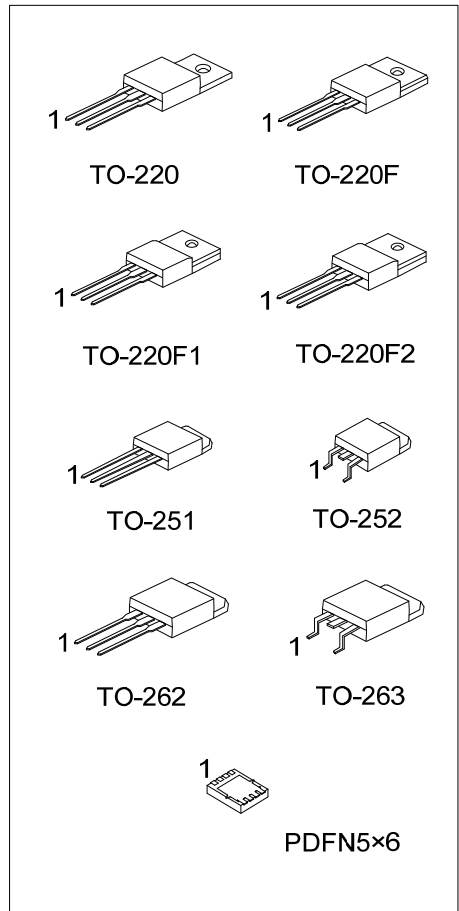
7.0A, 650V N-CHANNEL POWER MOSFET

DESCRIPTION

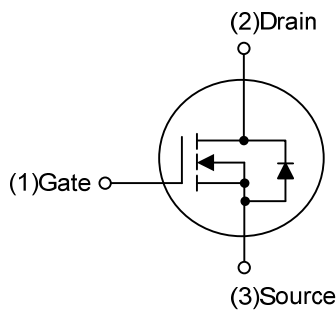
The UTC **7N65-ML** is a high voltage power MOSFET combines advanced trench MOSFET designed to have better characteristics, such as fast switching time, low gate charge, low on-state resistance and high rugged avalanche characteristics. This power MOSFET is usually used in high speed switching applications of switching power supplies and adaptors.

FEATURES

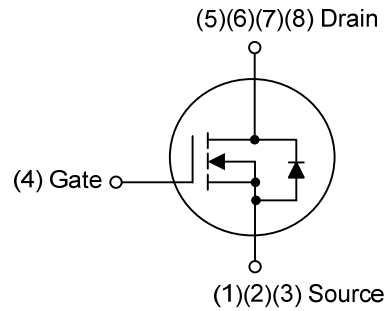
- * $R_{DS(ON)} \leq 1.3 \Omega @ V_{GS}=10V, I_D=3.5A$
- * Fast switching capability
- * Avalanche energy tested
- * Improved dv/dt capability, high ruggedness



SYMBOL



TO-220/TO-220F/TO-220F1/TO-220F2
TO-251/TO-252/TO-262/TO-263



PDFN5x6

ORDERING INFORMATION

Ordering Number		Package	Pin Assignment								Packing
Lead Free	Halogen Free		1	2	3	4	5	6	7	8	
7N65L-TA3-T	7N65G-TA3-T	TO-220	G	D	S	-	-	-	-	-	Tube
7N65L-TF1-T	7N65G-TF1-T	TO-220F1	G	D	S	-	-	-	-	-	Tube
7N65L-TF2-T	7N65G-TF2-T	TO-220F2	G	D	S	-	-	-	-	-	Tube
7N65L-TF3-T	7N65G-TF3-T	TO-220F	G	D	S	-	-	-	-	-	Tube
7N65L-TM3-T	7N65G-TM3-T	TO-251	G	D	S	-	-	-	-	-	Tube
7N65L-TN3-R	7N65G-TN3-R	TO-252	G	D	S	-	-	-	-	-	Tape Reel
7N65L-T2Q-T	7N65G-T2Q-T	TO-262	G	D	S	-	-	-	-	-	Tube
7N65L-TQ2-T	7N65G-TQ2-T	TO-263	G	D	S	-	-	-	-	-	Tube
7N65L-TQ2-R	7N65G-TQ2-R	TO-263	G	D	S	-	-	-	-	-	Tape Reel
7N65L-P5060-R	7N65G-P5060-R	PDFN5×6	S	S	S	G	D	D	D	D	Tape Reel

Note: Pin Assignment: G: Gate D: Drain S: Source

<p>7N65G-TA3-T</p> <p>(1) Packing Type (2) Package Type (3) Green Package</p>	<p>(1) T: Tube, R: Tape Reel (2) TA3: TO-220, TF1: TO-220F1, TF2: TO-220F2 TF3: TO-220F, TM3: TO-251, TN3: TO-252 T2Q: TO-262, TQ2: TO-263, P5060: PDFN5×6 (3) G: Halogen Free and Lead Free, L: Lead Free</p>
---	--

MARKING

TO-220 / TO-220F / TO-220F1 / TO-220F2 TO-251 / TO-252 / TO-262 / TO-263	PDFN5×6
<p>UTC 7N65</p> <p>L: Lead Free G: Halogen Free</p> <p>Lot Code ← → Date Code</p> <p>1</p>	<p>UTC 7N65</p> <p>Internal Code Date Code</p> <p>Lot Code ← →</p>

■ ABSOLUTE MAXIMUM RATINGS ($T_c=25^\circ\text{C}$, unless otherwise specified)

PARAMETER		SYMBOL	RATINGS	UNIT
Drain-Source Voltage		V_{DSS}	650	V
Gate-Source Voltage		V_{GSS}	± 30	V
Continuous Drain Current		I_D	7	A
Pulsed Drain Current (Note 2)		I_{DM}	28	A
Avalanche Energy	Single Pulsed (Note 3)	E_{AS}	281.3	mJ
Peak Diode Recovery dv/dt (Note 4)		dv/dt	2.3	V/ns
Power Dissipation	TO-220/TO-262 TO-263	P_D	125	W
	TO-220F/TO-220F1 TO-220F2		35	W
	TO-251/TO-252		48	W
	PDFN5×6		140	W
Junction Temperature		T_J	+150	$^\circ\text{C}$
Storage Temperature		T_{STG}	-55 ~ +150	$^\circ\text{C}$

Notes: 1. Absolute maximum ratings are those values beyond which the device could be permanently damaged.

Absolute maximum ratings are stress ratings only and functional device operation is not implied.

2. Repetitive Rating: Pulse width limited by maximum junction temperature.

3. $L = 10\text{mH}$, $I_{AS} = 7.5\text{A}$, $V_{DD} = 50\text{V}$, $R_G = 25\ \Omega$, Starting $T_J = 25^\circ\text{C}$

4. $I_{SD} \leq 7.0\text{A}$, $di/dt \leq 200\text{A}/\mu\text{s}$, $V_{DD} \leq BV_{DSS}$, Starting $T_J = 25^\circ\text{C}$

■ THERMAL DATA

PARAMETER		SYMBOL	RATING	UNIT
Junction to Ambient	TO-220/TO-220F TO-220F1/TO-220F2 TO-262/ TO-263	θ_{JA}	62.5	$^\circ\text{C}/\text{W}$
	TO-251/TO-252		110	$^\circ\text{C}/\text{W}$
	PDFN5×6		35	$^\circ\text{C}/\text{W}$
	TO-220/TO-262 TO-263		1	$^\circ\text{C}/\text{W}$
Junction to Case	TO-220F/TO-220F1 TO-220F2	θ_{JC}	3.57	$^\circ\text{C}/\text{W}$
	TO-251/TO-252		2.6 (Note)	$^\circ\text{C}/\text{W}$
	PDFN5×6		0.89	$^\circ\text{C}/\text{W}$

Note: Device mounted on FR-4 substrate PC board, 2oz copper, with 1inch square copper plate.

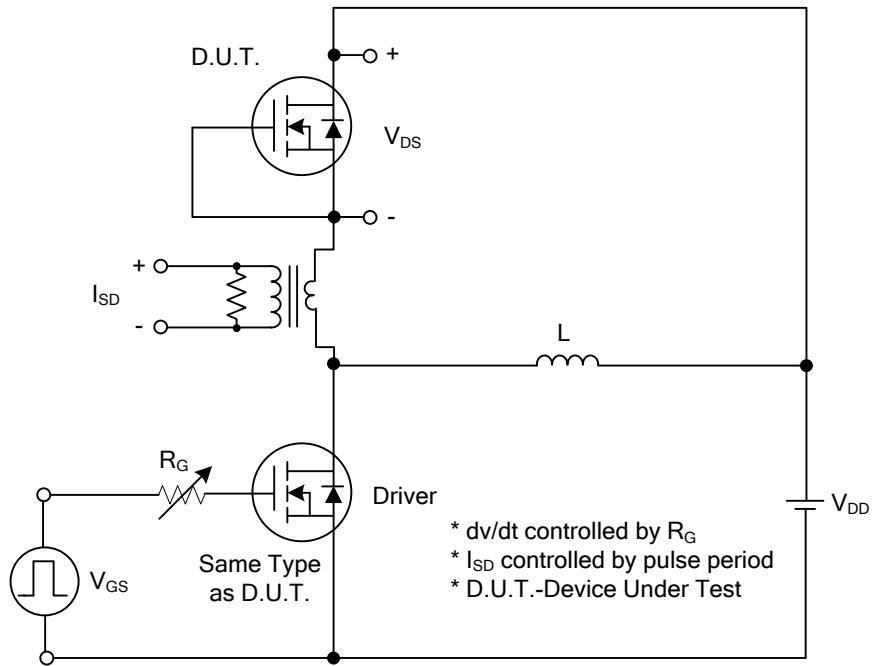
■ ELECTRICAL CHARACTERISTICS (T_J=25°C, unless otherwise specified)

PARAMETER	SYMBOL	TEST CONDITIONS	MIN	TYP	MAX	UNIT
OFF CHARACTERISTICS						
Drain-Source Breakdown Voltage	BV _{DSS}	V _{GS} =0V, I _D =250μA	650			V
Drain-Source Leakage Current	I _{DSS}	V _{DS} =650V, V _{GS} =0V			10	μA
Gate- Source Leakage Current	Forward	I _{GSS} V _{GS} =30V, V _{DS} =0V			100	nA
	Reverse		V _{GS} =-30V, V _{DS} =0V			-100
ON CHARACTERISTICS						
Gate Threshold Voltage	V _{GS(TH)}	V _{DS} =V _{GS} , I _D =250μA	2.0		4.0	V
Static Drain-Source On-State Resistance	R _{DS(ON)}	V _{GS} =10V, I _D =3.5A			1.3	Ω
DYNAMIC CHARACTERISTICS						
Input Capacitance	C _{ISS}	V _{DS} =25V, V _{GS} =0V, f=1.0MHz		870		pF
Output Capacitance	C _{OSS}			97		pF
Reverse Transfer Capacitance	C _{RSS}			9.6		pF
SWITCHING CHARACTERISTICS						
Total Gate Charge (Note 1)	Q _G	V _{DS} =520V, V _{GS} =10V, I _D =7A I _G =1mA (Note 1, 2)		22		nC
Gate-Source Charge	Q _{GS}			5		nC
Gate-Drain Charge	Q _{GD}			5.5		nC
Turn-On Delay Time (Note 1)	t _{D(ON)}	V _{DS} =100V, V _{GS} =10V, I _D =7A, R _G =25Ω (Note 1, 2)		12		ns
Turn-On Rise Time	t _R			20		ns
Turn-Off Delay Time	t _{D(OFF)}			74		ns
Turn-Off Fall Time	t _F			33		ns
DRAIN-SOURCE DIODE CHARACTERISTICS AND MAXIMUM RATINGS						
Maximum Body-Diode Continuous Current	I _S				7	A
Maximum Body-Diode Pulsed Current	I _{SM}				28	A
Drain-Source Diode Forward Voltage (Note 1)	V _{SD}	I _S =7A, V _{GS} =0V			1.4	V
Reverse Recovery Time (Note 1)	t _{rr}	I _S =7A, V _{GS} =0V di/dt=100A/μs		506		ns
Reverse Recovery Charge	Q _{rr}				2.7	

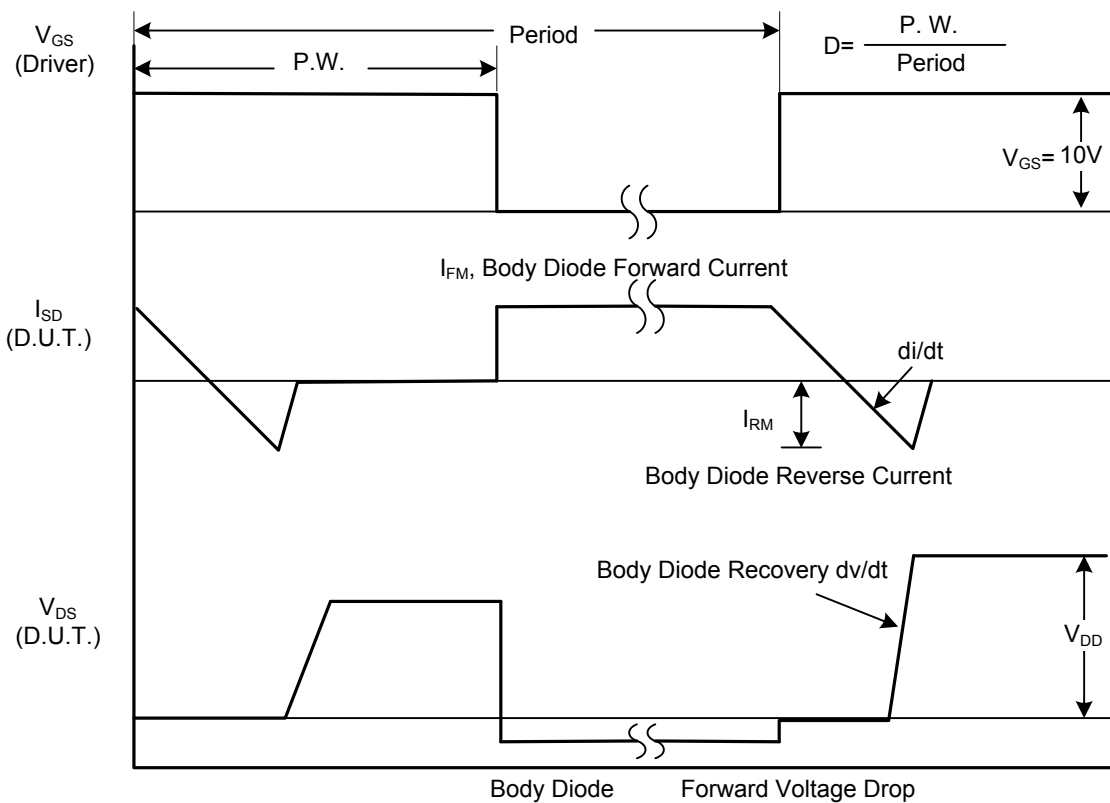
Notes: 1. Pulse Test: Pulse width ≤ 300μs, Duty cycle ≤ 2%.

2. Essentially independent of operating temperature.

■ TEST CIRCUITS AND WAVEFORMS

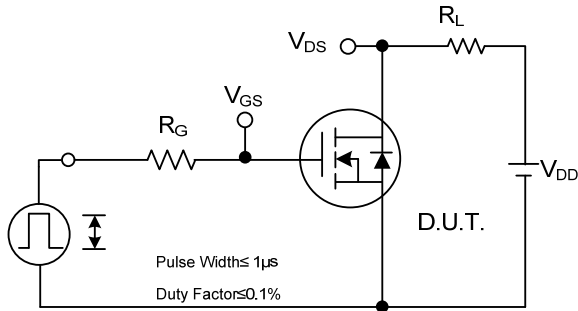


Peak Diode Recovery dv/dt Test Circuit

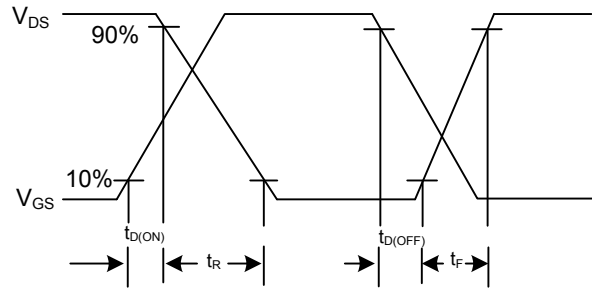


Peak Diode Recovery dv/dt Waveforms

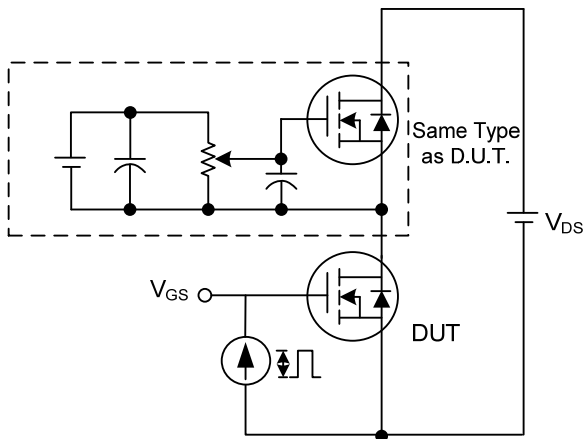
■ TEST CIRCUITS AND WAVEFORMS



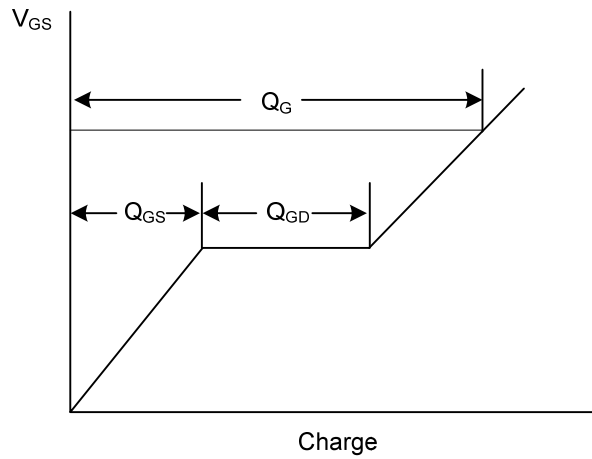
Switching Test Circuit



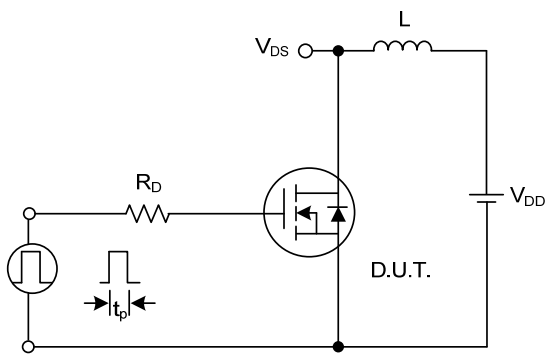
Switching Waveforms



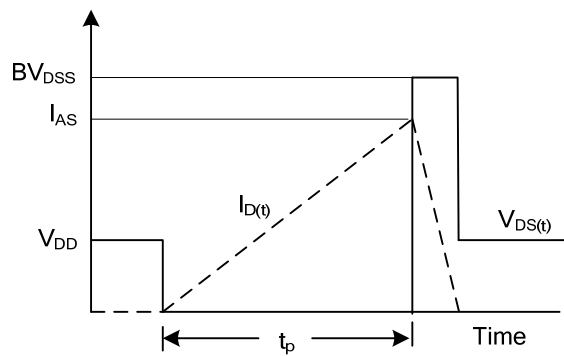
Gate Charge Test Circuit



Gate Charge Waveform

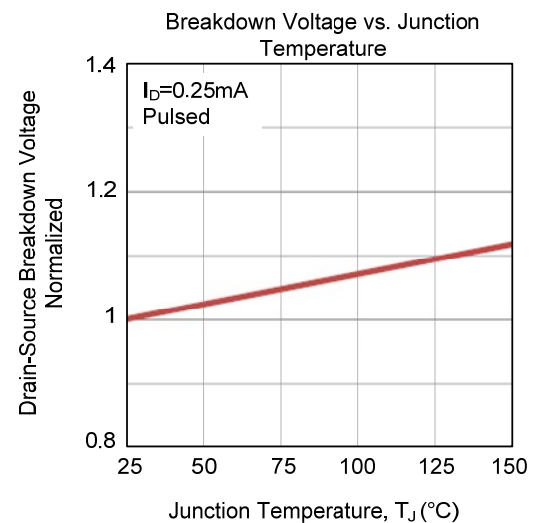
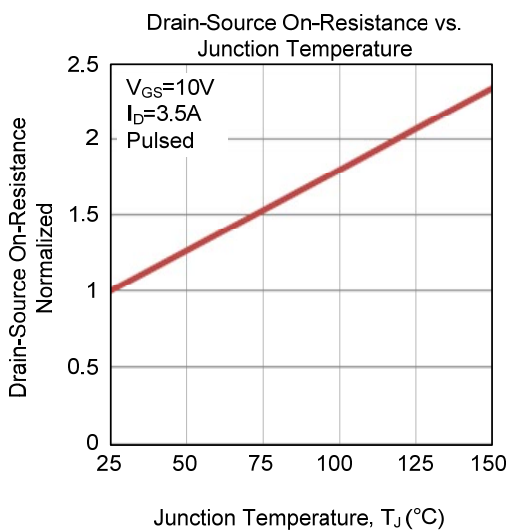
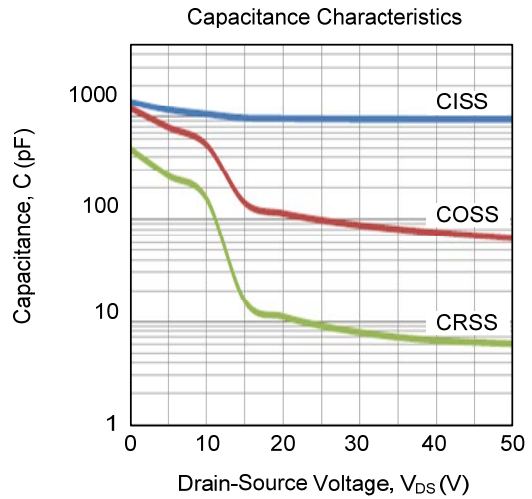
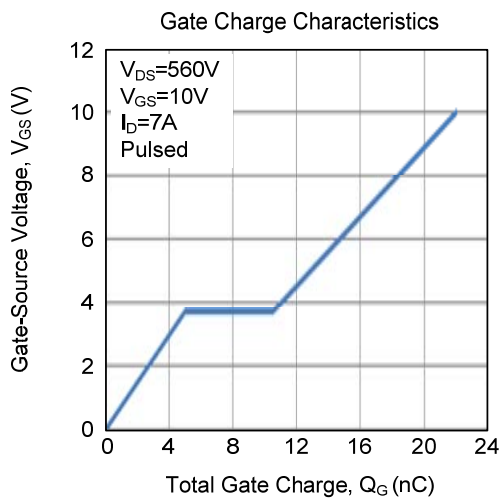
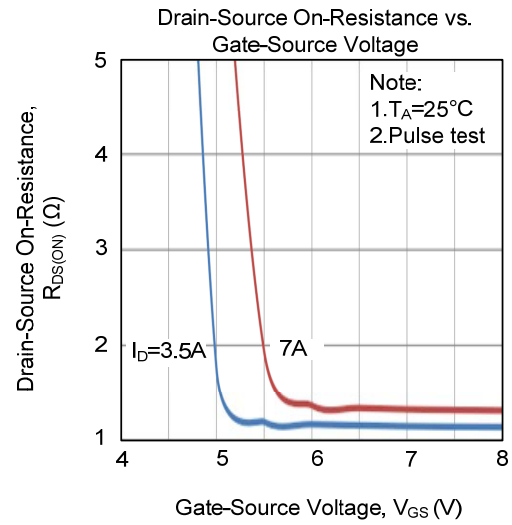
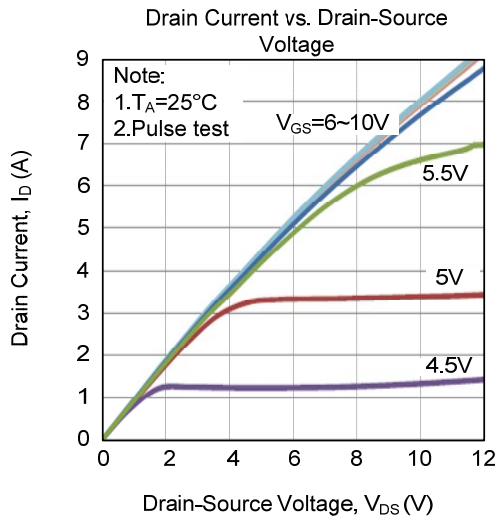


Unclamped Inductive Switching Test Circuit

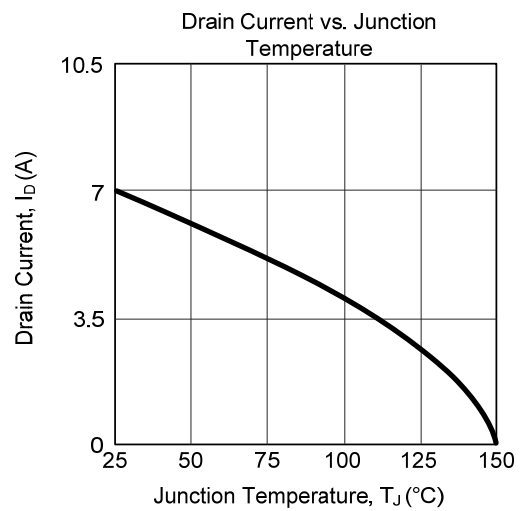
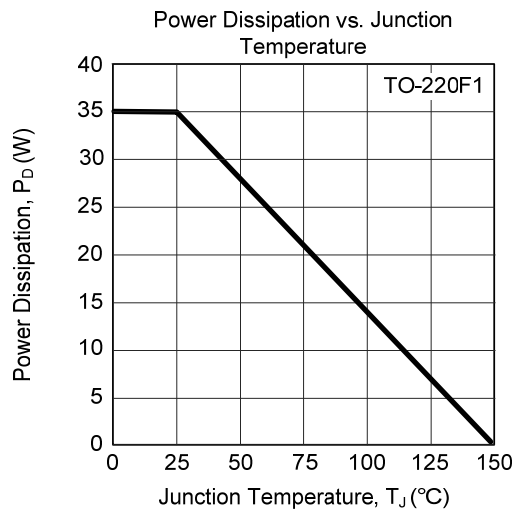
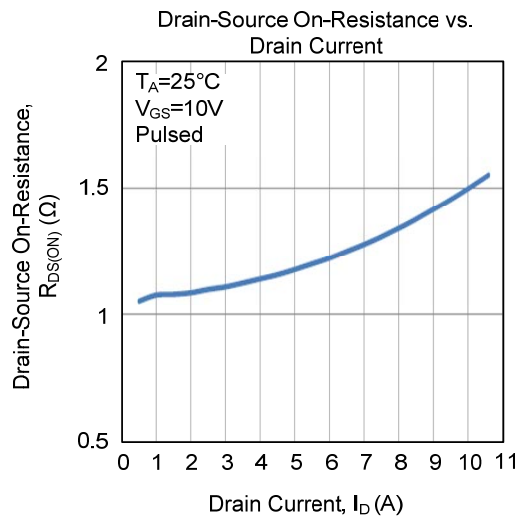
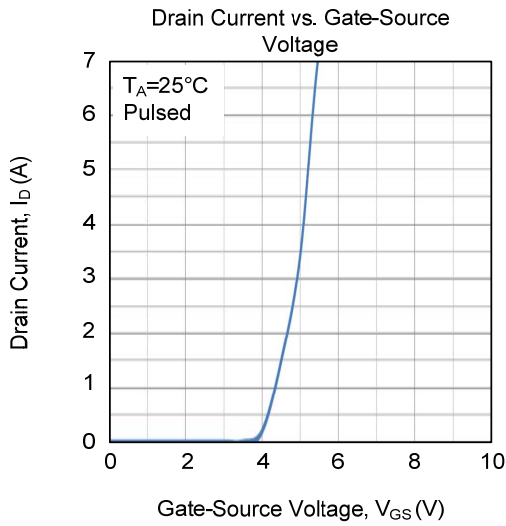
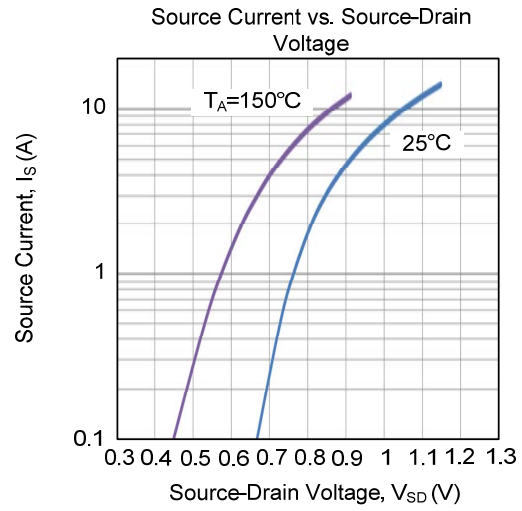
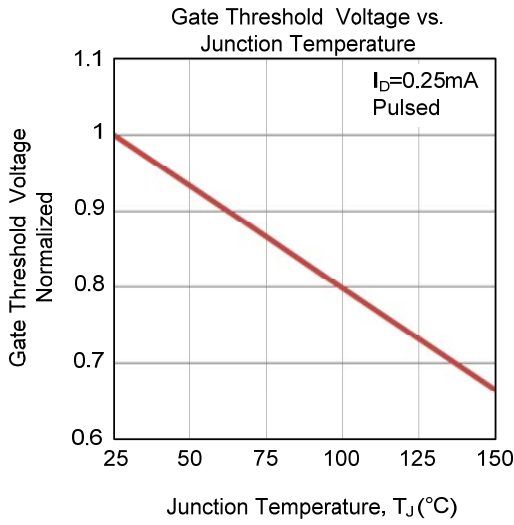


Unclamped Inductive Switching Waveforms

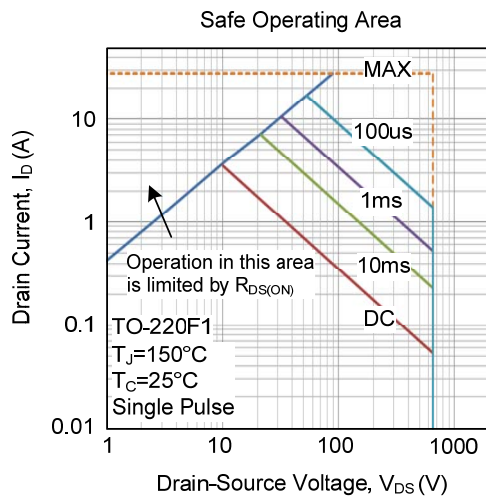
TYPICAL CHARACTERISTICS



■ TYPICAL CHARACTERISTICS (Cont.)



■ TYPICAL CHARACTERISTICS (Cont.)



UTC assumes no responsibility for equipment failures that result from using products at values that exceed, even momentarily, rated values (such as maximum ratings, operating condition ranges, or other parameters) listed in products specifications of any and all UTC products described or contained herein. UTC products are not designed for use in life support appliances, devices or systems where malfunction of these products can be reasonably expected to result in personal injury. Reproduction in whole or in part is prohibited without the prior written consent of the copyright owner. UTC reserves the right to make changes to information published in this document, including without limitation specifications and product descriptions, at any time and without notice. This document supersedes and replaces all information supplied prior to the publication hereof.