

The cover features a vibrant blue background with several overlapping, semi-transparent white circles of varying sizes. A prominent, thick white circular line is centered on the page, framing the text. The text is positioned to the right of a vertical red bar.

**SUNGJIN**  
PRODUCT  
CATALOGUE

SUNG JIN CO., LTD.

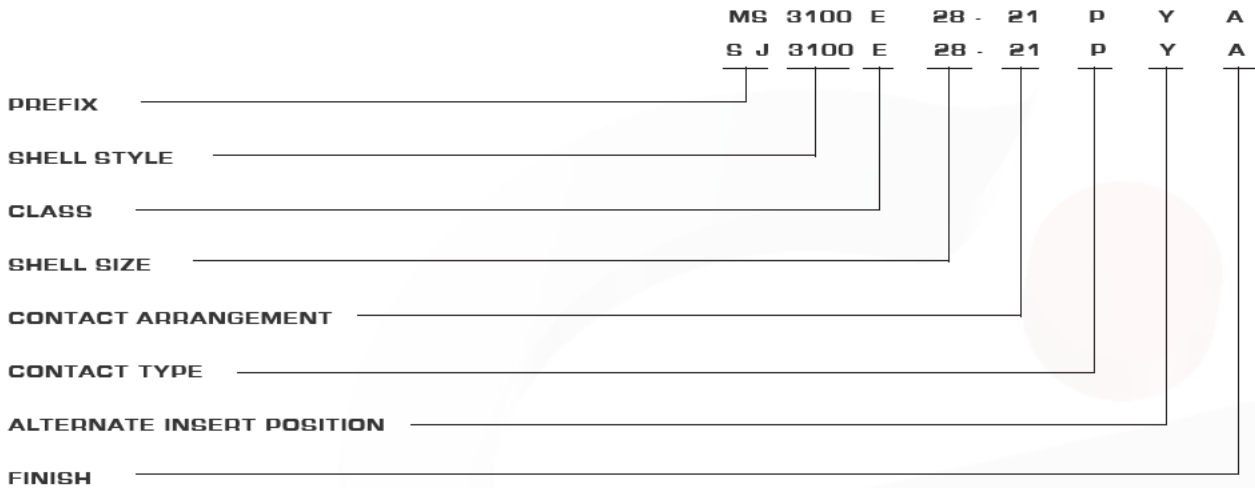


# SUNGJIN MIL-C-5015 CONNECTORS

## CONTENTS

- Ordering Information
- Technical Data
- Well Mounting Receptacle SJ3100A(MS3100A)  
SJ3100E(MS3100E)  
SJ3100R(MS3100R)
- Cable Connection SJ3101A(MS3101A)  
SJ3101E(MS3101E)  
SJ3101R(MS3101R)
- Box Mounting Receptacle SJ3102A/E/R(MS3102/E/R)
- Straight Plug SJ3106A(MS3106A)  
SJ3106E(MS3106E)  
SJ3106R(MS3106R)
- 90 Angle Plug SJ3108A(MS3108A)  
SJ3108E/R(MS3108E/R)
- Alternate Insert Positions
- Contact Arrangements
- Accessories

## Ordering Information



### SHELL STYLE

- 100 - Wall Mounting Receptacle
- 101 - Cable Connecting Plug
- 102 - Box mounting Receptacle
- 106 - Straight Plug
- 108 - 90°Angle Plug

### SHELL SIZE

10SL, 12S, 14S, 14, 16S, 16, 18, 20, 22, 24, 28, 32, 36, 40

### CLASS

- A - With threaded adapter
- E - Environmental with resilient insulators and integral cable clamp
- R - Environmental with resilient insulators and shortened light weight endbell also additional sealing with O ring seal under coupling nut in styles 3106 and 3108.

### CONTACT ARRANGEMENT

See page 17-21

### CONTACT TYPE

- P - Pin contact
- S - Socket contact

### ALTERNATE INSERT POSITION

Insert insulator position - see page 16

### FINISH

- A - Black Anodize
- N - Electroless Nickel
- W - Cadmium, Olive drab
- Z - Green Chromate Coating over zinc plating

## Technical data

### Materials & Finishes

	Materials	Finishes
SHELL	Aluminum alloy	Olive drab chromate coating over cadmium or zinc plating
INSULATOR	Polychloropren	-
CONTACT	Copper alloy	Silver plate

### Characteristics

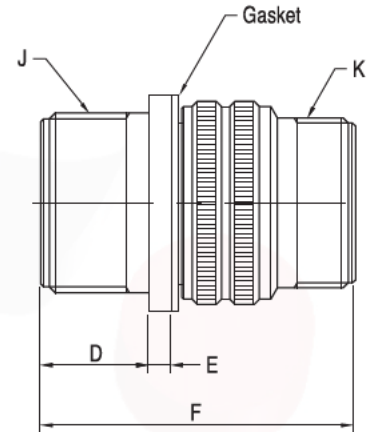
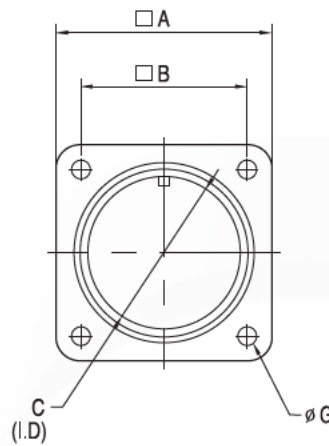
Insulation Resistance	5,000M $\Omega$ Minimum (at 25°C)
Temperature Range	-55°C to 125°C
Durability	500 Cycle Connection / Disconnection
Water proof	IP67

Dielectric Withstanding Voltage				Contact Engaging & Separating Force			
Service Rating	Test Voltage AC (rms)	Operating Voltage		Contact Size	force in Lbs.		
		AC	DC		Maximum	Average	Minimum
Inst.	1,000	200	250	#16	3.00	2.10	0.25
A	2,000	500	700	#12	5.00	3.50	0.50
D	2,800	900	1,250	#8	10.00	7.00	0.75
E	3,500	1,250	1,750	#4	15.00	10.50	1.00
B	4,500	1,750	2,450	#0	20.00	14.00	2.00
C	7,000	3,000	4,200				

Contact Size			Current(A) Rating (Mated With Insulators)	Contact Resistance		Wire Range	Accommodations	
Size	Pin Contact Dia.	Solder Pot Dia.		Test Current (A)	Potential Drop Max(mV)	AWG *	Wire Nomal Square Size(mm <sup>2</sup> )	Dielectric Material Outer Dia.
#16	ø 1.6	ø 2.0	13A	20A	21	#22 ~ #16	≤ 1.3	ø 1.7 ~ 3.3
#12	ø 2.4	ø 3.0	23A	35A	20	#14 ~ #12	≤ 3.5	ø 2.9 ~ 4.3
#8	ø 3.6	ø 5.2	46A	60A	12	#10 ~ #8	≤ 8.0	ø 4.2 ~ 6.4
#4	ø 5.7	ø 8.5	80A	110A	10	#6 ~ #4	≤ 22.0	ø 7.0 ~ 9.4
#0	ø 9.1	ø 12.0	150A	200A	10	#2 ~ #0	≤ 50.0	ø 10.6 ~ 14.0

\* A.W.G : American Wire Gauge

**Wall Mounting Receptacle**  
**SJ3100A(MS3100A)**



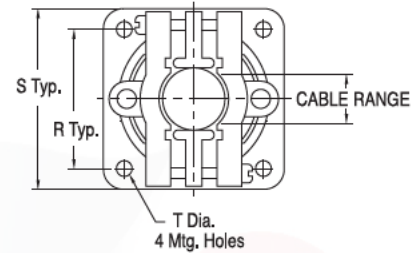
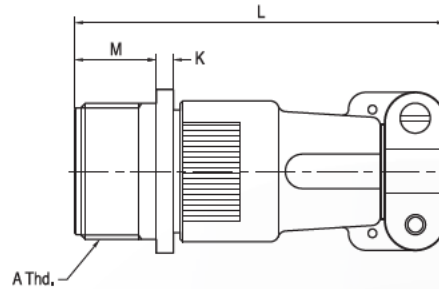
Shell Size	□ A ± 0.79	□ B ± 0.12	∅ C +0.38 -0.00	D +0.38 -0.00	E ± 0.20	F MAX.	∅ G +0.25 -0.12	J Thread-2A	K Thread-2A
8S	23.00	15.10	9.40	14.28	2.30	37.31	3.05	1/2-28 UNEF	1/2-28 UNEF
10S	25.40	18.26	11.38	14.28	2.30	41.60	3.05	5/8-24 UNEF	5/8-24 UNEF
10SL	25.40	18.26	11.38	14.28	2.30	41.60	3.05	5/8-24 UNEF	5/8-24 UNEF
12S	27.97	20.62	14.15	14.28	2.30	43.20	3.05	3/4-20 UNEF	5/8-24 UNEF
12	27.97	20.62	14.15	19.05	3.00	54.40	3.05	3/4-20 UNEF	5/8-24 UNEF
14S	30.18	23.01	17.33	14.28	3.00	43.20	3.05	7/8-20 UNEF	3/4-20 UNEF
14	30.18	23.01	17.33	19.05	3.00	54.40	3.05	7/8-20 UNEF	3/4-20 UNEF
16S	32.54	24.61	20.50	14.28	3.00	43.20	3.05	1-20 UNEF	7/8-20 UNEF
16	32.54	24.61	20.50	19.05	3.00	54.40	3.05	1-20 UNEF	7/8-20 UNEF
18	34.93	26.97	23.68	19.05	3.00	54.40	3.05	1 1/8-18 UNEF	1-20 UNEF
20	38.10	29.36	26.88	19.05	3.00	56.50	3.05	1 1/4-18 UNEF	1 3/16-18 UNEF
22	41.28	31.75	30.03	19.05	3.20	57.10	3.05	1 3/8-18 UNEF	1 3/16-18 UNEF
24	44.45	34.93	33.20	20.63	3.20	57.10	3.73	1 1/2-18 UNEF	1 7/16-18 UNEF
28	50.80	39.67	38.77	20.63	3.60	59.30	3.73	1 3/4-18 UNEF	1 7/16-18 UNEF
32	57.15	44.45	45.12	22.23	4.20	59.30	4.39	2-18 UNS	1 3/4-18 UNS
36	63.50	49.23	50.68	22.23	4.20	63.90	4.39	2 1/4-16 UN	2-18 UNS
40	69.85	55.58	57.03	22.23	4.20	63.90	4.39	2 1/2-16 UN	2 1/2-16 UN

1. ALL DIMENSIONS ARE MILLIMETERS.

# SUNGJIN C&T MIL-C-5015 CONNECTORS

WWW.SJCNT.CO.KR

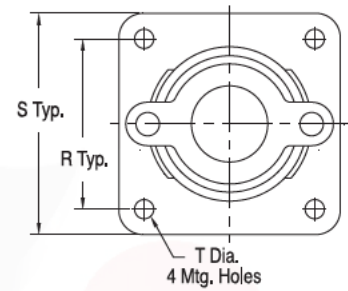
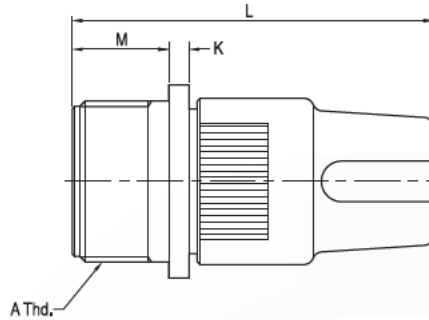
## Wall Mounting Receptacle SJ3100E(MS3100E)



Shell Size	A Coupling Thread Class 2A	K		L MAX.	M +.031 -.000 [+0.79] [-0.00]	R ± .005 [± 0.13]	S ± .031 [± 0.79]	T +.010 -.005 [+0.25] [-0.13]	Cable Range	
		MAX.	MIN.						Open	Closed
8S	1/2-28 UNEF	.156 [3.96]	.062 [1.57]	2.250 [57.15]	.562 [14.27]	.594 [15.09]	.875 [22.22]	.120 [30.05]	.250 [6.35]	.125 [3.18]
10S	5/8-24 UNEF	.156 [3.96]	.062 [1.57]	2.250 [57.15]	.562 [14.27]	.719 [18.26]	1.000 [25.40]	.120 [30.05]	.250 [6.35]	.125 [3.18]
10SL	5/8-24 UNEF	.156 [3.96]	.062 [1.57]	2.250 [57.15]	.562 [14.27]	.719 [18.26]	1.000 [25.40]	.120 [30.05]	.312 [7.92]	.125 [3.18]
12	3/4-20 UNEF	.156 [3.96]	.062 [1.57]	2.625 [66.67]	.750 [19.05]	.812 [20.62]	1.094 [27.79]	.120 [30.05]	.312 [7.92]	.125 [3.18]
12S	3/4-20 UNEF	.156 [3.96]	.062 [1.57]	2.250 [57.15]	.562 [14.27]	.812 [20.62]	1.094 [27.79]	.120 [30.05]	.312 [7.92]	.125 [3.18]
14	7/8-20 UNEF	.156 [3.96]	.062 [1.57]	2.625 [66.67]	.750 [19.05]	.906 [23.01]	1.188 [30.18]	.120 [30.05]	.438 [11.13]	.250 [6.35]
14S	7/8-20 UNEF	.156 [3.96]	.062 [1.57]	2.250 [57.15]	.562 [14.27]	.906 [23.01]	1.188 [30.18]	.120 [30.05]	.438 [11.13]	.250 [6.35]
16	1-20 UNEF	.156 [3.96]	.062 [1.57]	2.625 [66.67]	.750 [19.05]	.969 [24.61]	1.281 [32.54]	.120 [30.05]	.562 [14.27]	.312 [7.92]
16S	1-20 UNEF	.156 [3.96]	.062 [1.57]	2.250 [57.15]	.562 [14.27]	.969 [24.61]	1.281 [32.54]	.120 [30.05]	.562 [14.27]	.312 [7.92]
18	1 1/8-18 UNEF	.203 [5.16]	.094 [2.39]	2.688 [68.28]	.750 [19.05]	1.062 [26.97]	1.375 [34.92]	.120 [30.05]	.625 [15.88]	.350 [8.89]
20	1 1/4-18 UNEF	.203 [5.16]	.094 [2.39]	2.750 [69.85]	.750 [19.05]	1.156 [29.36]	1.500 [38.10]	.120 [30.05]	.750 [19.05]	.500 [12.70]
22	1 3/8-18 UNEF	.203 [5.16]	.094 [2.39]	2.750 [69.85]	.750 [19.05]	1.250 [31.75]	1.625 [41.27]	.120 [30.05]	.750 [19.05]	.500 [12.70]
24	1 1/2-18 UNEF	.203 [5.16]	.094 [2.39]	2.969 [75.41]	.812 [20.62]	1.375 [34.92]	1.750 [44.45]	.147 [3.73]	.938 [23.83]	.625 [15.88]
28	1 3/4-18 UNS	.203 [5.16]	.094 [2.39]	3.031 [76.99]	.812 [20.62]	1.562 [39.67]	2.000 [50.80]	.147 [3.73]	.938 [23.83]	.625 [15.88]
32	2-18 UNS	.359 [9.12]	.125 [3.17]	3.031 [76.99]	.875 [22.22]	1.750 [44.45]	2.250 [57.15]	.173 [4.39]	1.250 [31.75]	.875 [22.23]
36	2 1/4-16 UN	.359 [9.12]	.125 [3.17]	3.281 [83.34]	.875 [22.22]	1.983 [50.37]	2.500 [63.50]	.173 [4.39]	1.375 [34.93]	1.000 [25.40]
40	2 1/2-16 UN	.359 [9.12]	.125 [3.17]	3.500 [88.90]	.875 [22.22]	2.188 [55.58]	2.750 [69.85]	.173 [4.39]	1.625 [41.28]	1.250 [31.75]

1. DIMENSIONS IN BRACKETS [ ] ARE IN MILLIMETERS.

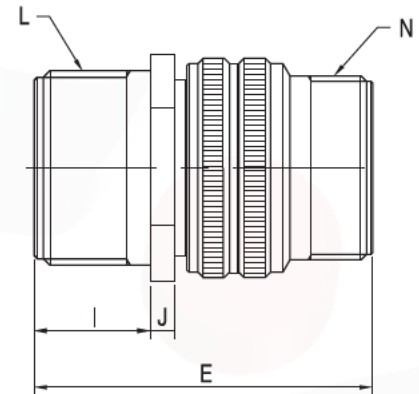
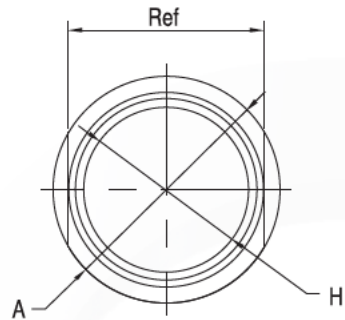
## Wall Mounting Receptacle SJ3100R(MS3100R)



Shell Size	A Coupling Thread Class 2A	K		L MAX.	M +0.031 -0.000 [+0.79] [-0.00]	R ± .005 [± 0.13]	S ± .031 [± 0.79]	T +0.10 -0.005 [+0.25] [-0.13]
		MAX.	MIN.					
8S	1/2-28 UNEF	.156 [3.96]	.062 [1.57]	1.838 [46.69]	.562 [14.27]	.594 [15.09]	.875 [22.22]	.120 [3.05]
10S	5/8-24 UNEF	.156 [3.96]	.062 [1.57]	1.838 [46.69]	.562 [14.27]	.719 [18.26]	1.000 [25.40]	.120 [3.05]
10SL	5/8-24 UNEF	.156 [3.96]	.062 [1.57]	1.838 [46.69]	.562 [14.27]	.719 [18.26]	1.000 [25.40]	.120 [3.05]
12	3/4-20 UNEF	.156 [3.96]	.062 [1.57]	2.181 [55.40]	.750 [19.05]	.812 [20.62]	1.094 [27.79]	.120 [3.05]
12S	3/4-20 UNEF	.156 [3.96]	.062 [1.57]	1.838 [46.69]	.562 [14.27]	.812 [20.62]	1.094 [27.79]	.120 [3.05]
14	7/8-20 UNEF	.156 [3.96]	.062 [1.57]	2.181 [55.40]	.750 [19.05]	.906 [23.01]	1.188 [30.18]	.120 [3.05]
14S	7/8-20 UNEF	.156 [3.96]	.062 [1.57]	1.838 [46.69]	.562 [14.27]	.906 [23.01]	1.188 [30.18]	.120 [3.05]
16	1-20 UNEF	.156 [3.96]	.062 [1.57]	2.181 [55.40]	.750 [19.05]	.969 [24.61]	1.281 [32.54]	.120 [3.05]
16S	1-20 UNEF	.156 [3.96]	.062 [1.57]	1.838 [46.69]	.562 [14.27]	.969 [24.61]	1.281 [32.54]	.120 [3.05]
18	1 1/8-18 UNEF	.203 [5.16]	.094 [2.39]	2.281 [57.94]	.750 [19.05]	1.062 [26.97]	1.357 [34.92]	.120 [3.05]
20	1 1/4-18 UNEF	.203 [5.16]	.094 [2.39]	2.281 [57.94]	.750 [19.05]	1.156 [29.36]	1.500 [38.10]	.120 [3.05]
22	1 3/8-18 UNEF	.203 [5.16]	.094 [2.39]	2.281 [57.94]	.750 [19.05]	1.250 [31.75]	1.625 [41.27]	.120 [3.05]
24	1 1/2-18 UNEF	.203 [5.16]	.094 [2.39]	2.281 [57.94]	.812 [20.62]	1.375 [34.92]	1.750 [44.45]	.147 [3.73]
28	1 3/4-18 UNS	.203 [5.16]	.094 [2.39]	2.281 [57.94]	.812 [20.62]	1.562 [39.67]	2.000 [50.80]	.147 [3.73]
32	2-18 UNS	.359 [9.12]	.125 [3.17]	2.322 [58.98]	.875 [22.22]	1.750 [44.45]	2.250 [57.15]	.173 [4.39]
36	2 1/4-16 UN	.359 [9.12]	.125 [3.17]	2.322 [58.98]	.875 [22.22]	1.983 [50.37]	2.500 [63.50]	.173 [4.39]
40	2 1/2-16 UN	.359 [9.12]	.125 [3.17]	2.430 [61.72]	.875 [22.22]	2.188 [55.58]	2.750 [69.85]	.173 [4.39]

1. DIMENSIONS IN BRACKETS [ ] ARE IN MILLIMETERS.

**Cable Connecting Plug**  
**SJ3101A(MS3101A)**



Shell Size	ø A MAX.	E MAX.	ø H +0.38 -0.00	I MIN.	J MAX.	L Thread-2A	N Thread-2A
8S	21.43	37.31	9.40	14.28	1.57	1/2-28 UNEF	1/2-28 UNEF
10S	24.61	38.88	11.38	14.28	1.57	5/8-24 UNEF	1/2-28 UNEF
10SL	24.61	38.88	11.38	14.28	1.57	5/8-24 UNEF	5/8-24 UNEF
12S	26.97	42.87	14.15	14.28	1.57	3/4-20 UNEF	5/8-24 UNEF
12	26.97	52.37	14.15	19.05	1.98	3/4-20 UNEF	5/8-24 UNEF
14S	29.36	42.87	17.38	14.28	1.83	7/8-20 UNEF	3/4-20 UNEF
14	29.36	52.37	17.38	19.05	1.98	7/8-20 UNEF	3/4-20 UNEF
16S	31.75	42.87	20.50	14.28	1.83	1-20 UNEF	7/8-20 UNEF
16	31.75	38.88	20.50	19.05	1.98	1-20 UNEF	7/8-20 UNEF
18	34.13	38.88	23.68	19.05	2.50	1 1/8-18 UNEF	1-20 UNEF
20	37.31	55.57	26.88	19.05	2.50	1 1/4-18 UNEF	1 3/16-18 UNEF
22	40.48	55.57	30.03	19.05	3.00	1 3/8-18 UNEF	1 3/16-18 UNEF
24	43.66	58.72	33.20	20.63	3.00	1 1/2-18 UNEF	1 7/16-18 UNEF
28	50.01	58.72	38.77	20.63	3.00	1 3/4-18 UNEF	1 7/16-18 UNEF
32	56.36	61.92	45.12	22.23	3.00	2-18 UNS	1 3/4 UNS
36	62.71	61.92	50.68	22.23	3.00	2 1/4-16 UN	2-18 UNS
40	69.06	61.92	57.03	22.23	3.00	2 1/2-16 UN	2 1/2-16 UN

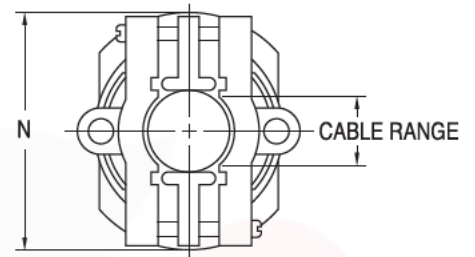
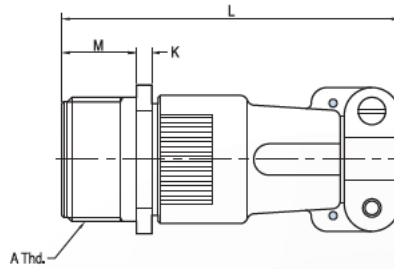
1. ALL DIMENSIONS ARE MILLIMETERS.



# SUNGJIN C&T MIL-C-5015 CONNECTORS

WWW.SJCNT.CO.KR

## Cable Connecting Plug SJ3101E(MS3101E)



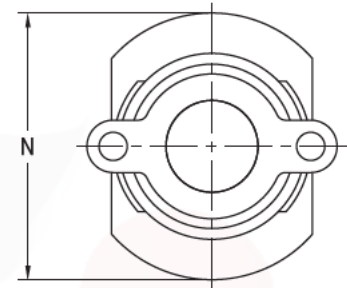
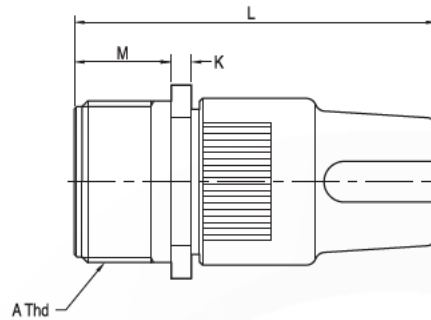
Shell Size	A Coupling Thread Class 2A	K		L MAX.	M +.031 -.000 [+0.79] [-0.00]	N MAX.	Cable Range	
		MAX.	MIN.				Open	Closed
8S	1/2-28 UNEF	.156 [3.96]	.062 [1.57]	2.250 [57.15]	.562 [14.27]	.844 [21.44]	.250 [6.35]	.125 [3.18]
10S	5/8-24 UNEF	.156 [3.96]	.062 [1.57]	2.250 [57.15]	.562 [14.27]	.969 [24.61]	.250 [6.35]	.125 [3.18]
10SL	5/8-24 UNEF	.156 [3.96]	.062 [1.57]	2.250 [57.15]	.562 [14.27]	1.062 [26.97]	.312 [7.92]	.125 [3.18]
12	3/4-20 UNEF	.156 [3.96]	.062 [1.57]	2.625 [66.67]	.750 [19.05]	1.062 [26.97]	.312 [7.92]	.125 [3.18]
12S	3/4-20 UNEF	.156 [3.96]	.062 [1.57]	2.250 [57.15]	.562 [14.27]	1.062 [26.97]	.312 [7.92]	.125 [3.18]
14	7/8-20 UNEF	.156 [3.96]	.062 [1.57]	2.625 [66.67]	.750 [19.05]	1.156 [29.36]	.438 [11.13]	.250 [6.35]
14S	7/8-20 UNEF	.156 [3.96]	.062 [1.57]	2.250 [57.15]	.562 [14.27]	1.156 [29.36]	.438 [11.13]	.250 [6.35]
16	1-20 UNEF	.156 [3.96]	.062 [1.57]	2.625 [66.67]	.750 [19.05]	1.281 [32.54]	.562 [14.27]	.312 [7.92]
16S	1-20 UNEF	.156 [3.96]	.062 [1.57]	2.250 [57.15]	.562 [14.27]	1.281 [32.54]	.562 [14.27]	.312 [7.92]
18	1 1/8-18 UNEF	.203 [5.16]	.094 [2.39]	2.688 [68.28]	.750 [19.05]	1.344 [34.14]	.625 [15.88]	.350 [8.89]
20	1 1/4-18 UNEF	.203 [5.16]	.094 [2.39]	2.750 [69.85]	.750 [19.05]	1.500 [38.10]	.750 [19.05]	.500 [12.70]
22	1 3/8-18 UNEF	.203 [5.16]	.094 [2.39]	2.750 [69.85]	.750 [19.05]	1.625 [41.27]	.750 [19.05]	.500 [12.70]
24	1 1/2-18 UNEF	.203 [5.16]	.094 [2.39]	2.969 [75.41]	.812 [20.62]	1.750 [44.45]	.938 [23.83]	.625 [15.88]
28	1 3/4-18 UNS	.203 [5.16]	.094 [2.39]	3.031 [76.99]	.812 [20.62]	2.000 [50.80]	.938 [23.83]	.625 [15.88]
32	2-18 UNS	.359 [9.12]	.125 [3.17]	3.031 [76.99]	.875 [22.22]	2.250 [57.15]	1.250 [31.75]	.875 [22.23]
36	2 1/4-16 UN	.359 [9.12]	.125 [3.17]	3.281 [83.34]	.875 [22.22]	2.500 [63.50]	1.375 [34.93]	1.000 [25.40]
40	2 1/2-16 UN	.359 [9.12]	.125 [3.17]	3.500 [88.90]	.875 [22.22]	2.750 [69.85]	1.625 [41.28]	1.250 [31.75]

1. DIMENSIONS IN BRACKETS [ ] ARE IN MILLIMETERS.

# SUNGJIN C&T MIL-C-5015 CONNECTORS

WWW.SJCNT.CO.KR

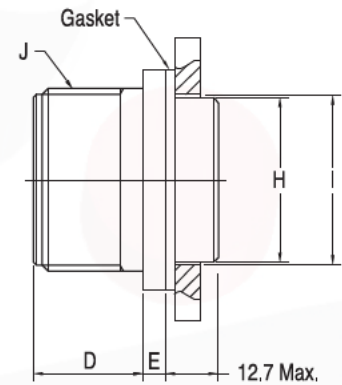
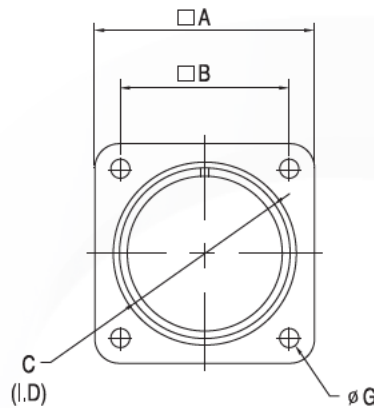
## Cable Connecting Plug SJ3101R(MS3101R)



Shell Size	A Coupling Thread Class 2A	E		L MAX.	M +.031 -.000 [+0.79] [-0.00]	N MAX.
		MAX.	MIN.			
8S	1/2-28 UNEF	.156 [3.96]	.062 [1.57]	1.838 [46.69]	.562 [14.27]	.844 [21.44]
10S	5/8-24 UNEF	.156 [3.96]	.062 [1.57]	1.838 [46.69]	.562 [14.27]	.969 [24.61]
10SL	5/8-24 UNEF	.156 [3.96]	.062 [1.57]	1.838 [46.69]	.562 [14.27]	1.062 [26.97]
12	3/4-20 UNEF	.156 [3.96]	.062 [1.57]	2.181 [55.40]	.750 [19.05]	1.062 [26.97]
12S	3/4-20 UNEF	.156 [3.96]	.062 [1.57]	1.838 [46.69]	.562 [14.27]	1.062 [26.97]
14	7/8-20 UNEF	.156 [3.96]	.062 [1.57]	2.181 [55.40]	.750 [19.05]	1.156 [29.36]
14S	7/8-20 UNEF	.156 [3.96]	.062 [1.57]	1.838 [46.69]	.562 [14.27]	1.156 [29.36]
16	1-20 UNEF	.156 [3.96]	.062 [1.57]	2.181 [55.40]	.750 [19.05]	1.281 [32.54]
16S	1-20 UNEF	.156 [3.96]	.062 [1.57]	1.838 [46.69]	.562 [14.27]	1.281 [32.54]
18	1 1/8-18 UNEF	.203 [5.16]	.094 [2.39]	2.281 [57.94]	.750 [19.05]	1.344 [34.14]
20	1 1/4-18 UNEF	.203 [5.16]	.094 [2.39]	2.281 [57.94]	.750 [19.05]	1.500 [38.10]
22	1 3/8-18 UNEF	.203 [5.16]	.094 [2.39]	2.281 [57.94]	.750 [19.05]	1.625 [41.27]
24	1 1/2-18 UNEF	.203 [5.16]	.094 [2.39]	2.281 [57.94]	.812 [20.62]	1.750 [44.45]
28	1 3/4-18 UNS	.203 [5.16]	.094 [2.39]	2.281 [57.94]	.812 [20.62]	2.000 [50.80]
32	2-18 UNS	.359 [9.12]	.125 [3.17]	2.322 [58.98]	.875 [22.22]	2.250 [57.15]
36	2 1/4-16 UN	.359 [9.12]	.125 [3.17]	2.322 [58.98]	.875 [22.22]	2.500 [63.50]
40	2 1/2-16 UN	.359 [9.12]	.125 [3.17]	2.430 [61.72]	.875 [22.22]	2.750 [69.85]

1. DIMENSIONS IN BRACKETS [ ] ARE IN MILLIMETERS.

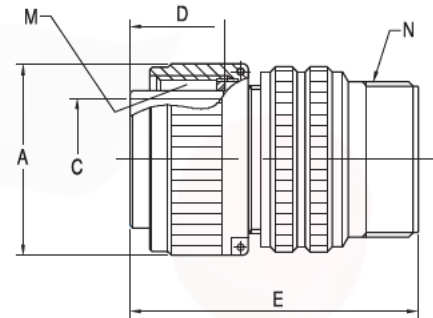
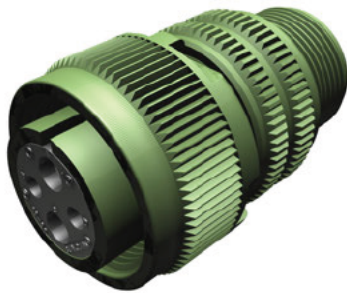
**Box Mounting Receptacle**  
**SJ3102A/E/R(MS3102A/E/R)**



Shell size	□ A ± 0.79	□ B ± 0.13	∅ C +0.38 -0.00	D +0.79 -0.00	E ± 0.20	∅ G +0.25 -0.12	∅ H +0.00 -4.77	∅ I +0.38 -0.00 MTG. Hole	J Thread-2A
8S	22.22	15.09	9.4	14.28	3.00	3.05	13.5	14.27	1/2-28 UNEF
10S	25.40	18.26	11.38	14.28	3.00	3.05	16.66	17.47	5/8-24 UNEF
10SL	25.40	18.26	11.38	14.28	3.00	3.05	19.35	20.62	5/8-24 UNEF
12S	27.79	20.62	14.15	14.28	3.00	3.05	19.35	20.62	3/4-20 UNEF
12	27.79	20.62	14.15	19.05	3.00	3.05	19.35	20.62	3/4-20 UNEF
14S	30.18	23.01	17.33	14.28	3.00	3.05	23.01	23.83	7/8-20 UNEF
14	30.18	23.01	17.33	19.05	3.00	3.05	23.01	23.83	7/8-20 UNEF
16S	32.54	24.61	20.50	14.28	3.00	3.05	26.21	26.97	1-20 UNEF
16	32.54	24.61	20.50	19.05	3.00	3.05	26.21	26.97	1-20 UNEF
18	34.93	26.97	23.68	19.05	4.00	3.05	29.36	30.18	1 1/8-18 UNEF
20	38.10	29.36	26.88	19.05	4.00	3.05	32.56	33.32	1 1/4-18 UNEF
22	41.28	31.75	30.03	19.05	4.00	3.05	35.71	36.53	1 3/8-18 UNEF
24	44.45	34.93	33.20	20.63	4.00	3.75	38.91	39.67	1 1/2-18 UNEF
28	50.80	39.67	38.77	20.63	4.00	3.75	45.26	46.02	1 3/4-18 UNEF
32	57.15	44.45	45.12	22.23	4.00	4.39	51.61	52.37	2-18 UNS
36	63.50	49.23	50.68	22.23	4.00	4.39	57.96	58.72	2 1/4-16 UN
40	69.85	55.58	57.03	22.23	4.00	4.39	64.31	65.07	2 1/2-16 UN

1. ALL DIMENSIONS ARE MILLIMETERS.

**Straight Plug**  
**SJ3106A(MS3106A)**



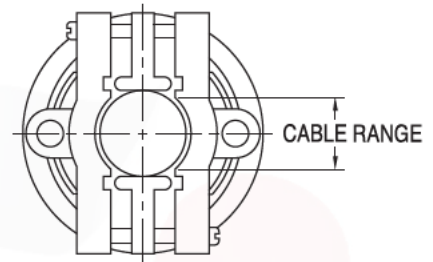
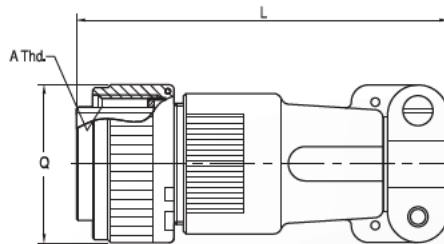
Shell size	∅ A MAX.	∅ B +0.00 -0.38 (O · D)	∅ C MIN. (I · D)	D ± 0.12	E MAX.	M Thread-2B	N Thread-2A
8S	21.43	9.27	6.41	13.49	37.3	1/2-28 UNEF	1/2-28 UNEF
10S	24.61	11.33	8.21	13.49	38.88	5/8-24 UNEF	1/2-28 UNEF
10SL	24.61	11.33	8.21	13.49	38.88	5/8-24 UNEF	5/8-24 UNEF
12S	26.97	14.10	11.43	13.49	42.87	3/4-20 UNEF	5/8-24 UNEF
12	26.97	14.10	11.43	18.26	52.37	3/4-20 UNEF	5/8-24 UNEF
14S	29.36	17.15	13.37	13.49	42.87	7/8-20 UNEF	3/4-20 UNEF
14	29.36	17.15	13.37	18.26	52.37	7/8-20 UNEF	3/4-20 UNEF
16S	31.75	20.45	16.54	13.49	42.87	1-20 UNEF	7/8-20 UNEF
16	31.75	20.45	16.54	18.26	52.37	1-20 UNEF	7/8-20 UNEF
18	34.13	23.62	19.72	18.26	52.37	1 1/8-18 UNEF	1-20 UNEF
20	37.31	26.67	23.68	18.26	55.57	1 1/4-18 UNEF	1 3/16-18 UNEF
22	40.48	29.85	26.07	18.26	55.57	1 3/8-18 UNEF	1 3/16-18 UNEF
24	43.66	33.02	29.24	18.26	58.72	1 1/2-18 UNEF	1 7/16-18 UNEF
28	50.01	38.61	34.80	18.26	58.72	1 3/4-18 UNEF	1 7/16-18 UNEF
32	56.36	44.96	41.15	18.26	61.92	2-18 UNS	1 3/4-18 UNS
36	62.71	50.29	46.69	18.26	61.92	2 1/4-16 UN	2-18 UNS
40	69.06	56.64	52.25	18.26	61.92	2 1/2-16 UN	2 1/4-16 UN

1. ALL DIMENSIONS ARE MILLIMETERS.

# SUNGJIN C&T MIL-C-5015 CONNECTORS

WWW.SJCNT.CO.KR

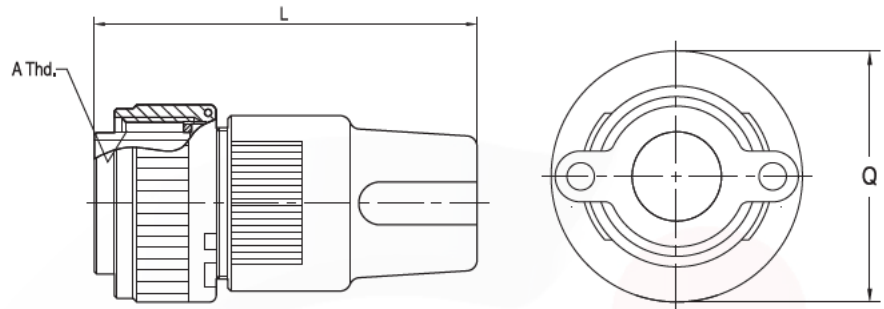
## Straight Plug SJ3106E(MS3106E)



Shell Size	A Coupling Thread Class 2B	L MAX.	Q MAX.	Z MAX.	Cable Range	
					Open	Closed
8S	1/2-28 UNEF	2.250 [57.15]	.844 [21.44]	1.046 [26.57]	.250 [6.35]	.125 [3.18]
10S	5/8-24 UNEF	2.250 [57.15]	.969 [24.61]	1.046 [26.57]	.250 [6.35]	.125 [3.18]
10SL	5/8-24 UNEF	2.250 [57.15]	.969 [24.61]	1.125 [28.57]	.312 [7.92]	.125 [3.18]
12	3/4-20 UNEF	2.625 [66.67]	1.062 [26.97]	1.125 [28.57]	.312 [7.92]	.125 [3.18]
12S	3/4-20 UNEF	2.250 [57.15]	1.062 [26.97]	1.125 [28.57]	.312 [7.92]	.125 [3.18]
14	7/8-20 UNEF	2.625 [66.67]	1.156 [29.36]	1.343 [34.11]	.438 [11.13]	.250 [6.35]
14S	7/8-20 UNEF	2.250 [57.15]	1.156 [29.36]	1.343 [34.11]	.438 [11.13]	.250 [6.35]
16	1-20 UNEF	2.250 [57.15]	1.250 [31.75]	1.484 [37.69]	.562 [14.27]	.312 [7.92]
16S	1-20 UNEF	2.250 [57.15]	1.250 [31.75]	1.484 [37.69]	.562 [14.27]	.312 [7.92]
18	1 1/8-18 UNEF	2.688 [68.28]	1.344 [34.14]	1.609 [40.87]	.625 [15.88]	.350 [8.89]
20	1 1/4-18 UNEF	2.750 [69.85]	1.469 [37.31]	1.890 [48.01]	.750 [19.05]	.500 [12.70]
22	1 3/8-18 UNEF	2.750 [69.85]	1.594 [40.49]	1.890 [48.01]	.750 [19.05]	.500 [12.70]
24	1 1/2-18 UNEF	2.969 [75.41]	1.719 [43.66]	2.170 [55.12]	.938 [23.83]	.625 [15.88]
28	1 3/4-18 UNS	3.031 [76.99]	1.969 [50.01]	2.170 [55.12]	.938 [23.83]	.625 [15.88]
32	2-18 UNS	3.031 [76.99]	2.219 [56.36]	2.656 [67.46]	1.250 [31.75]	.875 [22.23]
36	2 1/4-16 UN	3.281 [83.34]	2.469 [62.71]	2.922 [74.22]	1.375 [34.93]	1.000 [25.40]
40	2 1/2-16 UN	3.500 [88.90]	2.719 [69.06]	3.520 [89.41]	1.625 [41.28]	1.250 [31.75]

1. DIMENSIONS IN BRACKETS [ ] ARE IN MILLIMETERS.

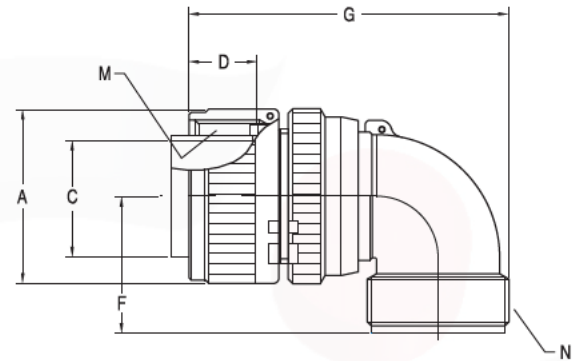
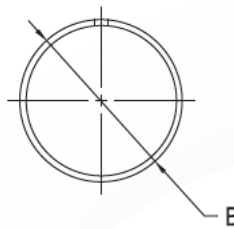
**Straight Plug**  
**SJ3106R(MS3106R)**



Shell Size	A Coupling Thread Class 2B	L	Q
		MAX.	MAX.
8S	1/2-28 UNEF	1.838 [46.69]	.844 [21.44]
10S	5/8-24 UNEF	1.838 [46.69]	.969 [24.61]
10SL	5/8-24 UNEF	1.838 [46.69]	.969 [24.61]
12	3/4-20 UNEF	2.181 [55.40]	1.062 [26.97]
12S	3/4-20 UNEF	1.838 [46.69]	1.062 [26.97]
14	7/8-20 UNEF	2.181 [55.40]	1.156 [29.36]
14S	7/8-20 UNEF	1.838 [46.69]	1.156 [29.36]
16	1-20 UNEF	2.181 [55.40]	1.250 [31.75]
16S	1-20 UNEF	1.838 [46.69]	1.250 [31.75]
18	1 1/8-18 UNEF	2.281 [57.94]	1.344 [34.14]
20	1 1/4-18 UNEF	2.281 [57.94]	1.469 [37.31]
22	1 3/8-18 UNEF	2.281 [57.94]	1.594 [40.49]
24	1 1/2-18 UNEF	2.281 [57.94]	1.719 [43.66]
28	1 3/4-18 UNS	2.281 [57.94]	1.969 [50.01]
32	2-18 UNS	2.322 [58.98]	2.219 [56.36]
36	2 1/4-16 UN	2.322 [58.98]	2.469 [62.71]
40	2 1/2-16 UN	2.430 [61.72]	2.719 [69.06]

1. DIMENSIONS IN BRACKETS [ ] ARE IN MILLIMETERS.

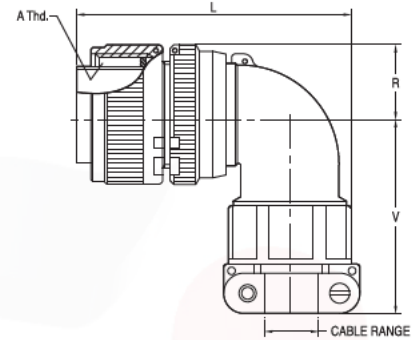
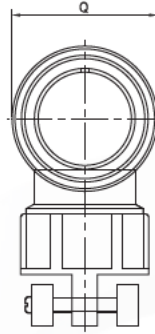
**90° Angle Plug**  
**SJ3108A(MS3108A)**



Shell Size	∅ A MAX.	∅ B +0.00 -0.38 (0 °GD)	∅ C MIN. (1 °GD)	D +0.12	F MAX.	G MAX.	M Thread-2B	N Thread-2A
8S	21.43	9.27	6.41	13.49	23.77	44.45	1/2-28 UNEF	1/2-28 UNEF
10S	24.61	11.33	8.21	13.49	25.40	44.45	5/8-24 UNEF	1/2-28 UNEF
10SL	24.61	11.33	8.21	13.49	25.40	46.02	5/8-24 UNEF	5/8-24 UNEF
12S	26.97	14.10	11.43	13.49	26.97	50.80	3/4-20 UNEF	5/8-24 UNEF
12	26.97	14.10	11.43	18.26	26.97	57.15	3/4-20 UNEF	5/8-24 UNEF
14S	29.36	17.15	13.37	13.49	28.57	53.97	7/8-20 UNEF	3/4-20 UNEF
14	29.36	17.15	13.37	18.26	28.57	58.72	7/8-20 UNEF	3/4-20 UNEF
16S	31.75	20.45	16.54	13.49	30.17	60.32	1-20 UNEF	7/8-20 UNEF
16	31.75	20.45	16.54	18.26	30.17	65.07	1-20 UNEF	7/8-20 UNEF
18	34.13	23.62	19.72	18.26	33.32	68.27	1 1/8-18 UNEF	1-20 UNEF
20	37.31	26.67	23.68	18.26	34.92	76.98	1 1/4-18 UNEF	1 3/16-18 UNEF
22	40.48	29.85	26.07	18.26	34.92	76.98	1 3/8-18 UNEF	1 3/16-18 UNEF
24	43.66	33.02	29.24	18.26	39.67	86.51	1 1/2-18 UNEF	1 7/16-18 UNEF
28	50.01	38.61	34.80	18.26	39.67	86.51	1 3/4-18 UNEF	1 7/16-18 UNEF
32	56.36	44.96	41.15	18.26	47.62	95.25	2-18 UNS	1 3/4 UNS
36	62.71	50.29	46.69	18.26	52.37	100.02	2 1/4-16 UN	2-18 UNS
40	69.06	56.64	52.25	18.26	53.97	100.02	2 1/2-16 UN	2 1/4-16 UN

1. ALL DIMENSIONS ARE MILLIMETERS.

## 90° Angle Plug SJ3108E/R(MS3108E/R)



Shell Size	A Coupling Thread Class 2A	L MAX.	Q MAX.	R MAX.	U MAX.	Cable Range	
						Open	Closed
8S	1/2-28 UNEF	2.156 [54.76]	.844 [21.44]	.422 [10.72]	1.469 [37.31]	.250 [6.35]	.125 [3.18]
10S	5/8-24 UNEF	2.156 [54.76]	.969 [24.61]	.516 [13.11]	1.469 [37.31]	.250 [6.35]	.125 [3.18]
10SL	5/8-24 UNEF	2.188 [55.58]	.969 [24.61]	.516 [13.11]	1.500 [38.10]	.312 [7.92]	.125 [3.18]
12	3/4-20 UNEF	2.531 [64.29]	1.062 [26.97]	.562 [14.27]	1.500 [38.10]	.312 [7.92]	.125 [3.18]
12S	3/4-20 UNEF	2.188 [57.15]	1.062 [26.97]	.562 [14.27]	1.500 [38.10]	.312 [7.92]	.125 [3.18]
14	7/8-20 UNEF	2.688 [68.28]	1.156 [29.36]	.625 [15.87]	1.594 [40.49]	.438 [11.13]	.250 [6.35]
14S	7/8-20 UNEF	2.312 [58.72]	1.156 [29.36]	.625 [15.87]	1.594 [40.49]	.438 [11.13]	.250 [6.35]
16	1-20 UNEF	2.781 [70.64]	1.250 [31.75]	.688 [17.48]	1.688 [42.88]	.562 [14.27]	.312 [7.92]
16S	1-20 UNEF	2.406 [61.11]	1.250 [31.75]	.688 [17.48]	1.688 [42.88]	.562 [14.27]	.312 [7.92]
18	1 1/8-18 UNEF	2.844 [72.24]	1.344 [34.14]	.750 [19.05]	1.781 [45.24]	.625 [15.88]	.350 [8.89]
20	1 1/4-18 UNEF	3.250 [82.55]	1.469 [37.31]	.844 [21.44]	1.969 [50.01]	.750 [19.05]	.500 [12.70]
22	1 3/8-18 UNEF	3.250 [82.55]	1.594 [40.49]	.906 [23.01]	2.000 [50.80]	.750 [19.05]	.500 [12.70]
24	1 1/2-18 UNEF	3.719 [94.46]	1.719 [43.66]	.953 [24.21]	2.125 [53.97]	.938 [23.83]	.625 [15.88]
28	1 3/4-18 UNS	3.719 [94.46]	1.969 [50.01]	1.094 [27.79]	2.188 [55.58]	.938 [23.83]	.625 [15.88]
32	2-18 UNS	4.188 [106.38]	2.219 [56.36]	1.234 [31.34]	2.594 [65.89]	1.250 [31.75]	.875 [22.23]
36	2 1/4-16 UN	4.297 [109.14]	2.469 [62.71]	1.359 [34.52]	2.719 [69.06]	1.375 [34.93]	1.000 [25.40]
40	2 1/2-16 UN	4.516 [114.71]	2.719 [69.06]	1.422 [36.12]	3.188 [80.98]	1.625 [41.28]	1.250 [31.75]

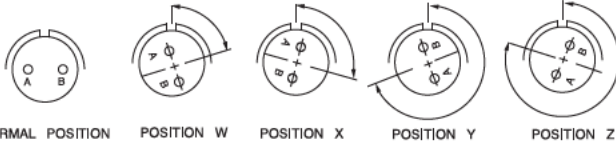
1. DIMENSIONS IN BRACKETS [ ] ARE IN MILLIMETERS.



# SUNGJIN C&T MIL-C-5015 CONNECTORS

WWW.SJCNT.CO.KR

## Alternate Insert Positions (Insulator Rotation Angle)



NORMAL POSITION    POSITION W    POSITION X    POSITION Y    POSITION Z

Shell Size	Contact Arrangement	Wire Size	Service Rating	Alternate Positions-Degrees				
				W	X	Y	Z	
125	125-3	2 #16	A	70	145	215	290	
145	145-2	4 #16	Inst.	-	120	240	-	
	145-5	5 #16	Inst.	-	110	-	-	
	145-7	3 #16	A	90	180	270	-	
	145-9	2 #16	A	70	145	215	290	
16	16-9	2 #16	A	35	110	250	325	
		2 #12						
	16-10	3 #12	A	90	180	270	-	
16-11	2 #12	A	35	110	250	325		
	16-13	2 #12	A	35	110	250	325	
165	165-1	7 #16	A	80	-	-	280	
	*165-4	2 #16	D	35	110	250	325	
	165-5	3 #16	A	70	145	215	290	
	165-6	3 #16	A	90	180	270	-	
	165-8	5 #16	A	-	170	265	-	
	18	18-1	10 #16	A (B, C, F, G) Inst. (all others)	70	145	215	290
		18-3	2 #12	D	35	110	250	325
		18-4	4 #16	D	35	110	250	325
18-5		1 #16	D	80	110	250	280	
18-8	7 #16	A	70	-	-	290		
	1 #12							
18-9	5 #16	Inst.	80	110	250	280		
	2 #12							
18-10	4 #12	A	-	120	240	-		
18-11	5 #12	A	-	170	265	-		
18-12	6 #16	A	80	-	-	280		
*18-13	3 #12	A	80	110	250	280		
*18-15	4 #12	A	-	120	240	-		
	*18-22	2 #16	D	70	145	215	290	
20	20-3	3 #12	D	70	145	215	290	
	20-4	4 #12	D	45	110	250	-	
	20-7	8 #16	A(C-F) D (A, B, G, H) Inst:	80	110	250	280	
20-8	4 #16	Inst:	80	110	250	280		
	2 #8							
20-14	3 #12	A	80	110	250	280		
20-15	7 #12	A	80	-	-	280		
20-16	7 #16	A	80	110	250	280		
20-17	2 #12							
	1 #16	A	90	180	270	-		
20-18	5 #12							
	6 #16	A	35	110	250	325		
20-19	3 #12							
	3 #8	A	90	180	270	-		
20-22	3 #16	A	80	110	250	280		
20-23	3 #8							
	2 #8	A	35	110	250	325		
20-24	2 #16	A	35	110	250	325		
20-27	2 #8							
	14 #16	A	35	110	250	325		
20-29	17 #16	A	80	-	-	280		
22	22-2	3 #8	D	70	145	215	290	
	*22-4	2 #12	A	35	110	250	325	
22-5	2 #8							
	4 #16	D	35	110		325		
*22-6	2 #12							
	1 #16	D	80	110		280		
22-9	2 #8							
	3 #12	E	70	145		290		
22-10	4 #16	E	35	110		325		
22-11	2 #16	B	35	110		325		
22-12	3 #16	D	80	110		280		
22-13	2 #8							
	1 #16	A (A-D)	35	110		325		
22-14	4 #12	D (E)						
	19 #16	A	80	-		280		
*22-15	1 #16	A (A-C, E, F)	80	110		280		
22-17	5 #12	E (D)						
	8 #16	D (A)	80	110		280		
22-18	1 #12	A (all others)						
	8 #16	A (C-E)	80	110		280		
22-19	14 #16	A(all others)						
	14 #16	A	80	110		280		
22-20	9 #16	A	35	110		325		
22-22	4 #8	A	-	110		-		

Shell Size	Contact Arrangement	Wire Size	Service Rating	Alternate Positions-Degrees			
				W	X	Y	Z
22	22-23	8 #12	D (H) A (all others)	35	-	250	-
	*22-27	8 #16 1 #8	D (J) A (all others)	80	-	250	280
	22-28	7 #12	A	80	-	-	280
	24-2	7 #12	D	80	-	-	280
24	*24-5	16 #16	A	80	110	250	280
	*24-6	8 #12	D (A, G, H) A (all others)	80	110	250	280
	24-7	14 #16	A	80	110	250	280
	24-9	2 #12					
	*24-9	2 #4	A	35	110	250	325
	24-10	7 #8	A	80	-	-	280
	*24-11	6 #12	A	35	110	250	325
	24-12	3 #8					
		3 #12	A	80	110	250	280
	24-20	2 #4					
		9 #16	D	80	110	250	280
	24-22	2 #12					
4 #8		D	45	110	250	-	
24-27		7 #16	E	80	-	-	280
24-28		24 #16	Inst.	80	110	250	280
28	28-1	6 #12	D (A, E, J) AA (all others)	80	110	250	280
	*28-2	3 #8					
		12 #16	D	35	110	250	325
	28-7	2 #4					
		2 #4	D	35	110	250	325
	28-9	6 #16					
		6 #12	D	80	110	250	280
	28-10	3 #12	D (G)	80	110	250	280
		2 #8	A (all others)				
	28-11	2 #4					
		18 #16	A	80	110	250	280
	28-12	4 #12					
		26 #16	A	90	180	270	280
	28-15	35 #16	A	80	110	250	280
	28-16	20 #16	A	80	110	250	-
	*28-17	15 #16	A (A-L), B (R) D (M-P)	80	110	250	280
*28-19	6 #16	A (C, E, G, J, K, L) B (H, M), D (A, B)	80	110	250	280	
	4 #12						
28-20	4 #16	A	80	110	250	280	
	10 #12						
28-21	37 #16	A	80	110	250	280	
*28-22	3 #16	D	70	145	215	290	
32	*32-1	3 #12	E(A) D (all others)	80	110	250	280
		2 #0					
	*32-6	16 #16	A	80	110	250	280
		2 #12					
32-7	3 #8						
	2 #4						
32-7	28 #16	Inst. (A, B, h, j) A (all others)	80	110	235	280	
	7 #12						
32-8	24 #16	A	80	110	235	280	
	6 #12						
*32-9	12 #16	D	80	110	250	280	
	2 #4						
32-15	2 #0						
	2 #0	D	35	110	250	280	
32-17	6 #12						
	4 #4	D	45	110	250	-	
36	*36-4	3 #0	A (B, C) D (A)	70	145	215	290
	36-5	4 #0	A	-	120	240	-
		4 #4	A	35	110	250	325
	36-6	2 #0					
		40 #16	A	80	110	250	280
	36-7	7 #12					
		40 #16	A	80	110	250	280
	36-8	1 #12					
		14 #16	A	80	125	235	280
	36-9	14 #12					
		2 #8					
	36-10	1 #4					
48 #16		A	80	125	235	280	
36-14	6 #16	D	90	180	270	-	
	5 #12						
*36-15	5 #8						
	35 #16	D (m) A (all others)	60	125	245	305	
40-10	16 #16						
	9 #8	A	65	125	225	310	
	4 #4						
40	*40-56	85 #16	A	72	144	216	288
44	44-1	36 #16	D	65	125	225	310
	6 #12						
48	*48-5	90 #16	A	65	125	225	310
	1 #8						
		9 #12					

# SUNGJIN C&T MIL-C-5015 CONNECTORS

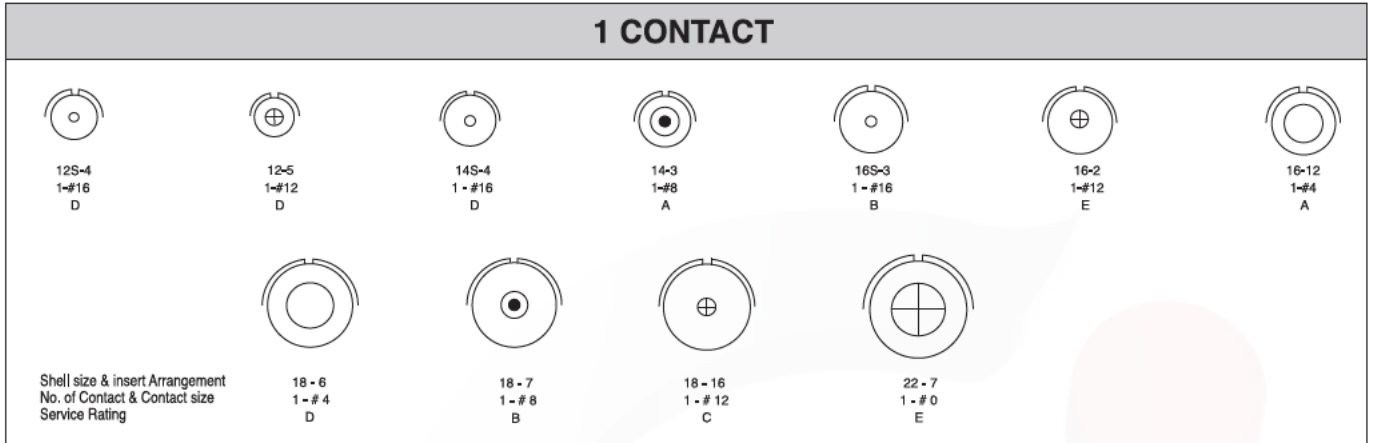
WWW.SJCNT.CO.KR

Front face of pin insert or rear of socket insert illustrated

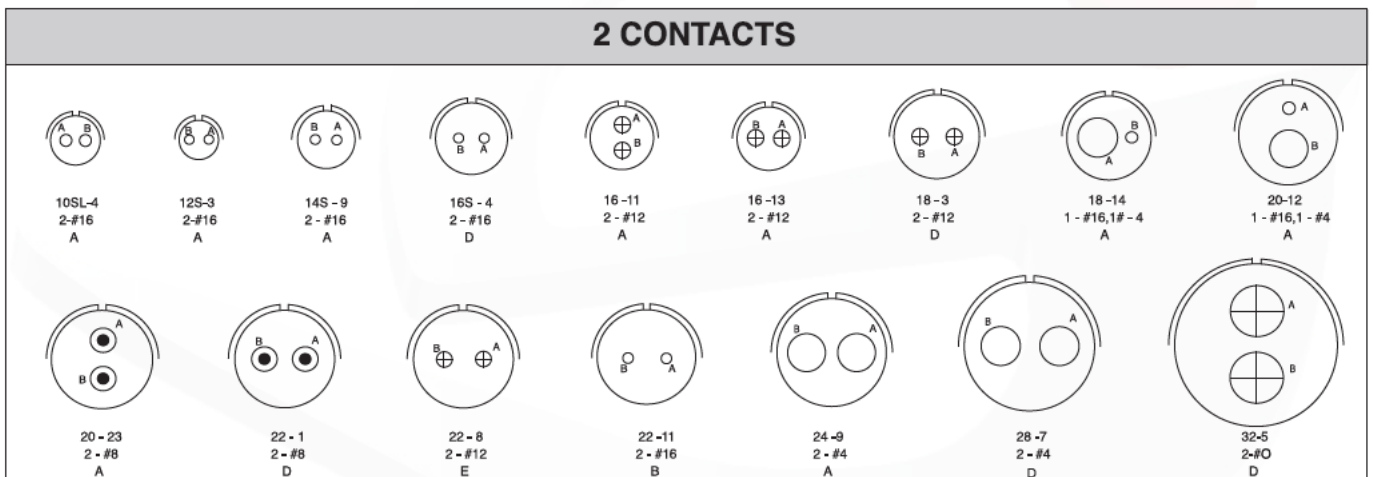
Contact Legend



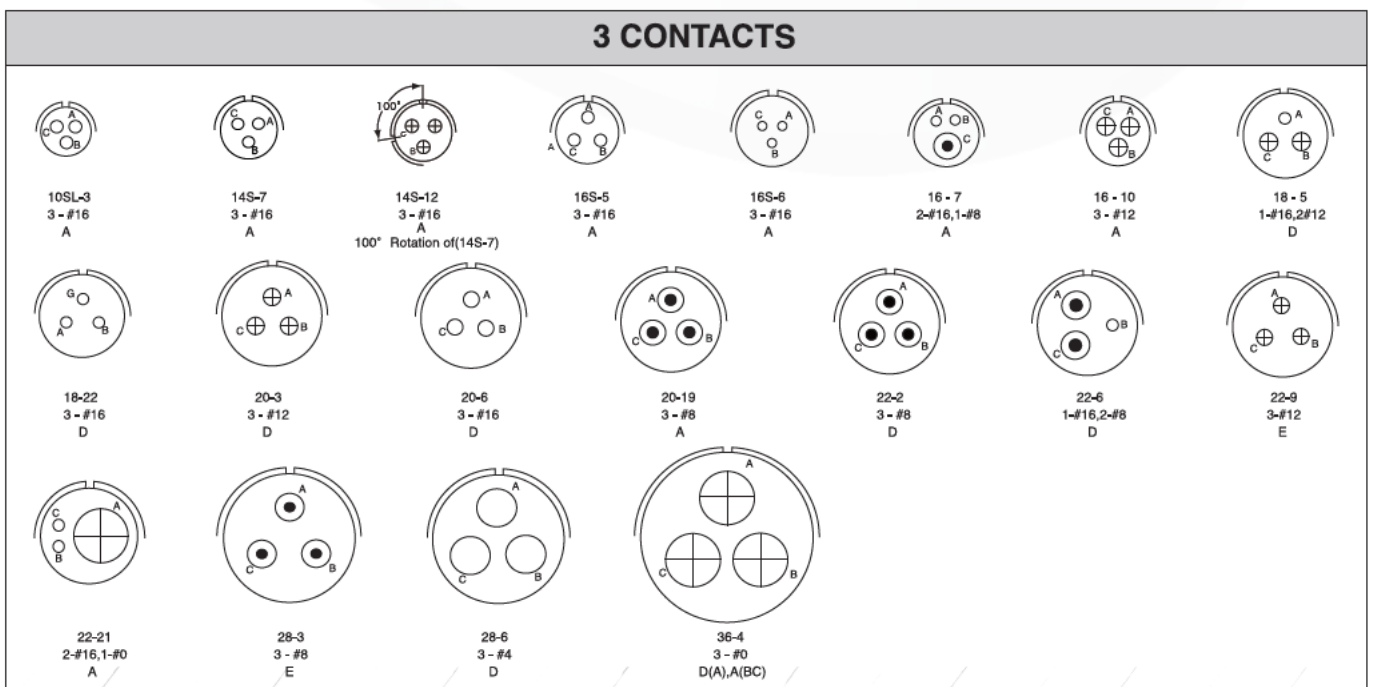
## 1 CONTACT



## 2 CONTACTS



## 3 CONTACTS



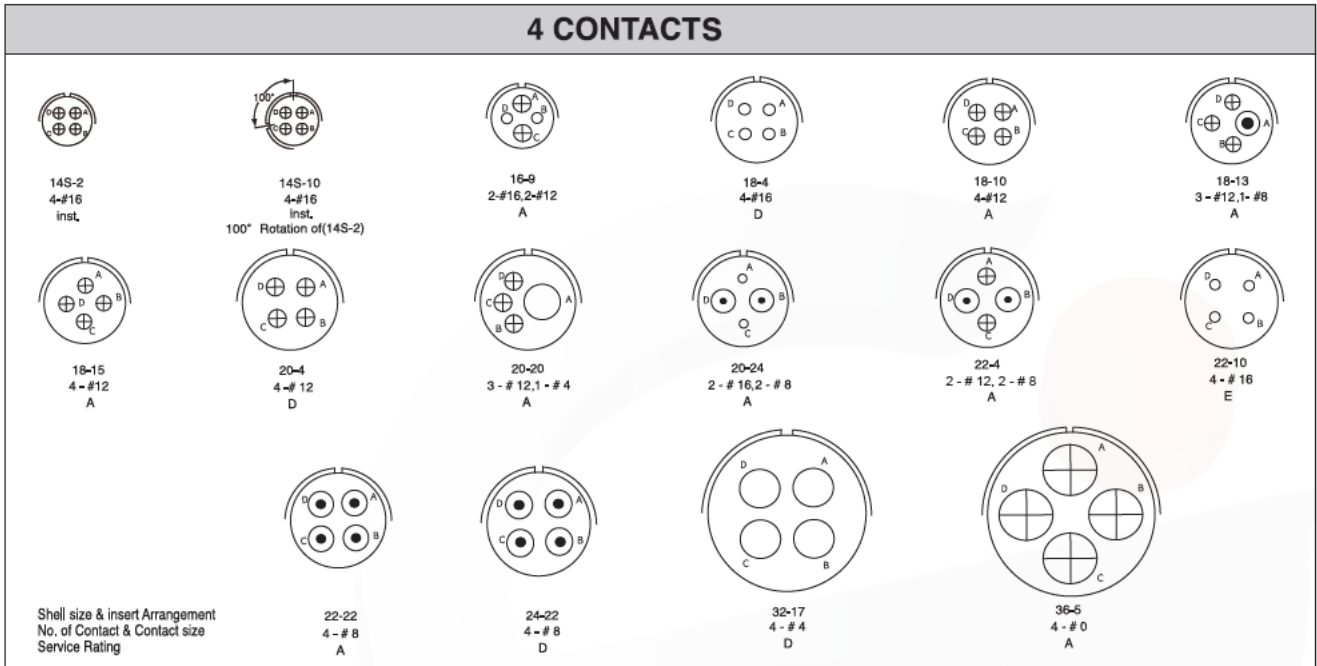
# SUNGJIN C&T MIL-C-5015 CONNECTORS

WWW.SJCNT.CO.KR

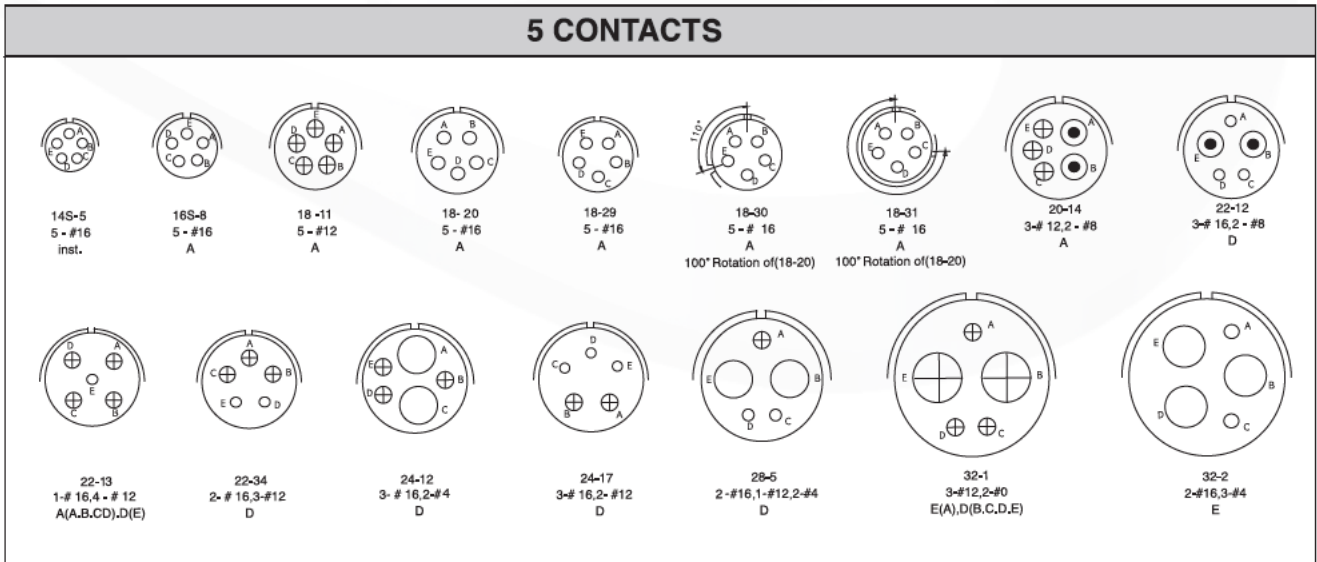
Front face of pin insert or rear of socket insert illustrated



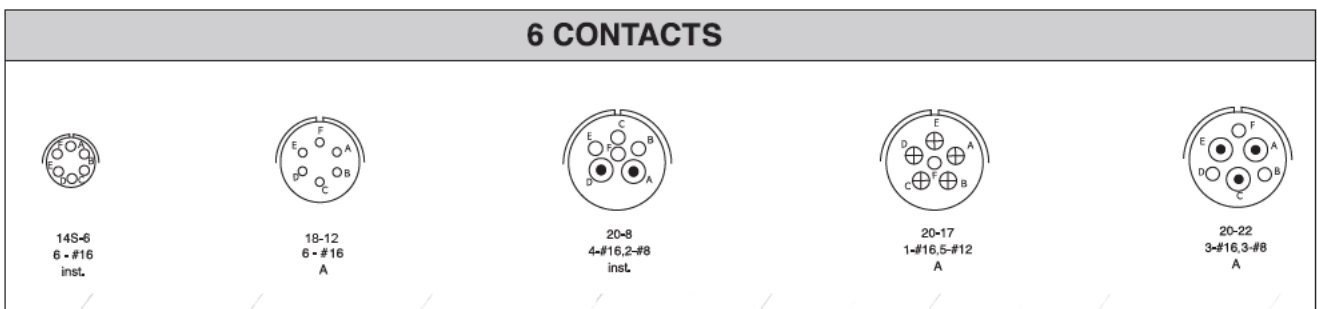
## 4 CONTACTS



## 5 CONTACTS



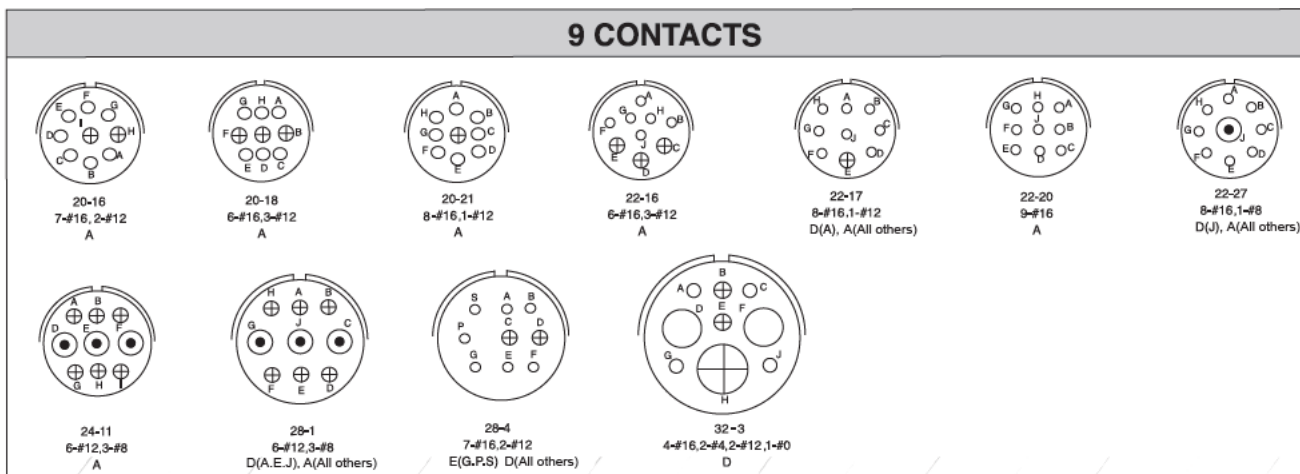
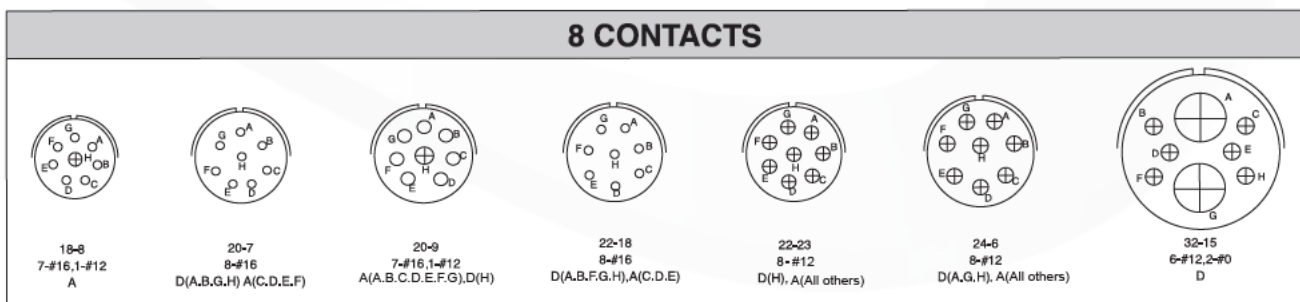
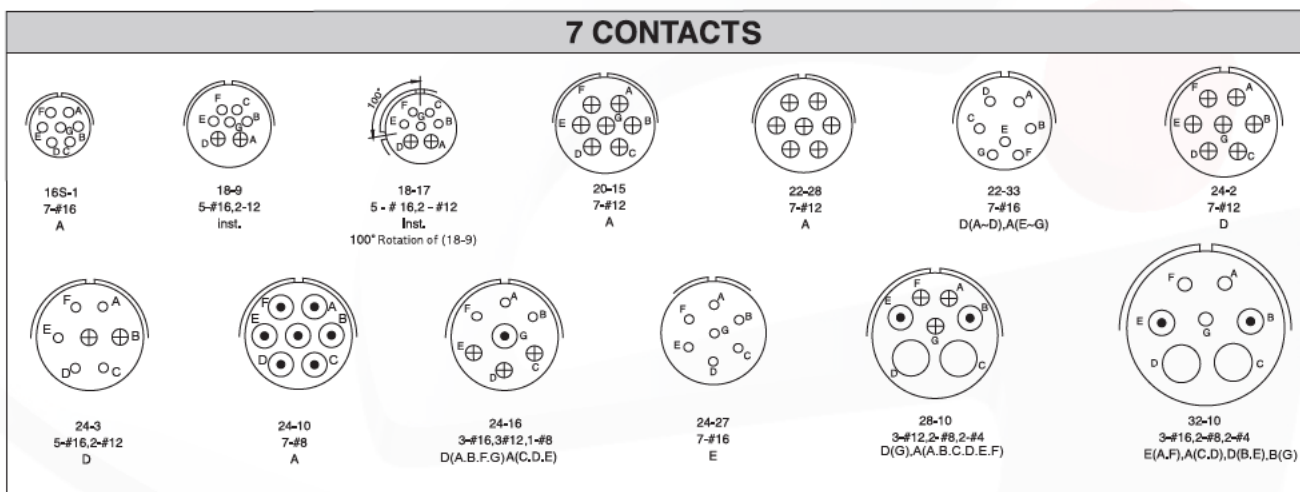
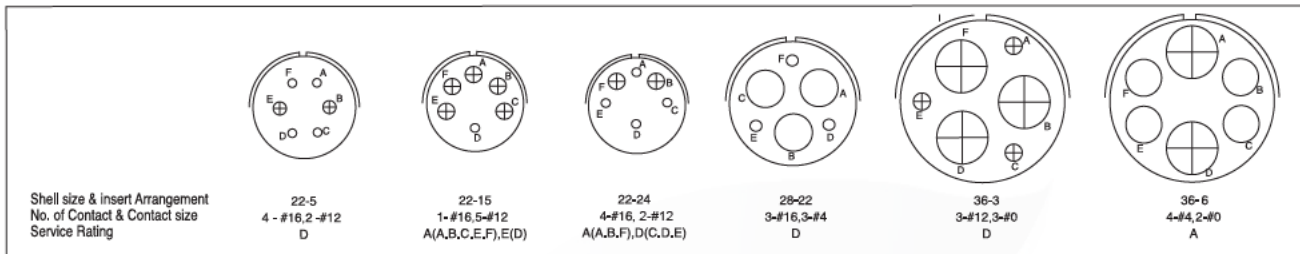
## 6 CONTACTS



# SUNGJIN C&T MIL-C-5015 CONNECTORS

WWW.SJCNT.CO.KR

Front face of pin insert or rear of socket insert illustrated



Front face of pin insert or rear of socket insert illustrated

Contact Legend



### 10 CONTACTS

Shell size & Insert Arrangement No. of Contact & Contact size Service Rating	 18-1 10-#16 A(B,C,F,G), Inst(All others)	 18-19 10-#16 A	 18-24 10-#16 A(B,C,F,G)Inst(All others) 250° Rotation of(18-1)	 24-21 9-#16,1#8 D	 28-19 6-#16,4-#12 B(H,M), D(A,B), A(All others)
--	--	--------------------------	---	-----------------------------	---

### 11 CONTACTS

 20-33 11-#16 A	 24-20 9-#16,2-#12 D
--------------------------	-------------------------------

### 12 CONTACTS

 28-8 10-#16,2-#12 E(L,M), D(B), A(All others)	 28-9 6-#16,6-#12 D	 28-18 12-#16 C(M), D(G,H,J,K,L),A(A,B)=Inst, (All others)
---	------------------------------	--

### 13 CONTACTS

 20-11 13-#16 Inst.	 20-25 13-#16 Inst. 100° Rotation of(20-11)	 20-30 13-#16 Inst. 250° Rotation of(20-11)
------------------------------	---	---

### 14 CONTACTS

 20-27 14-#16 A	 22-19 14-#16 A	 28-2 12-#16, 2-#12 D	 28-20 4-#16,10-#12 A	 32-4 12-#16,2-#12 A(F,J,K,N),D(All others)	 32-9 12-#16,2-#4 D
--------------------------	--------------------------	--------------------------------	--------------------------------	--	------------------------------

### 15 CONTACTS

 28-17 15-#16 B(R), D(M,N,P),A(All others)	 32-12 10-#16,5-#12 A(C,D,E,F,G), D(All others)
---	--

### 16 CONTACTS

 24-5 16-#16 A	 24-7 14-#16,2-#12 A	 36-14 6-#16,5-#8,5-#12 D
-------------------------	-------------------------------	------------------------------------

### 17 CONTACTS

 20-29 17-#16 A	 36-13 15-#16,2-#12 E(N,P,O), BAL.=A
--------------------------	---

### 19 CONTACTS

 22-14 19-#16 A
--------------------------

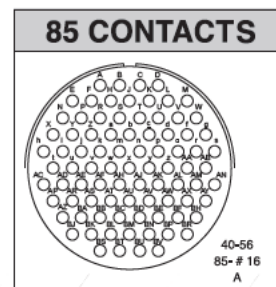
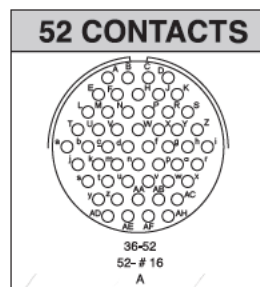
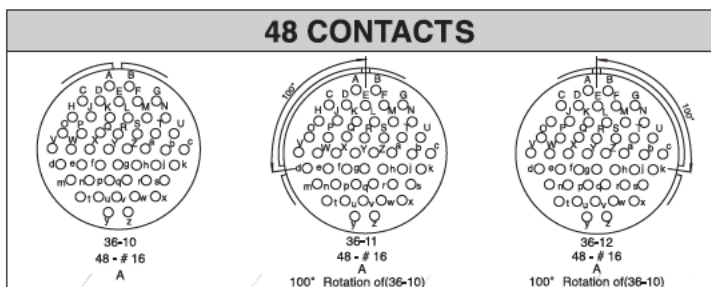
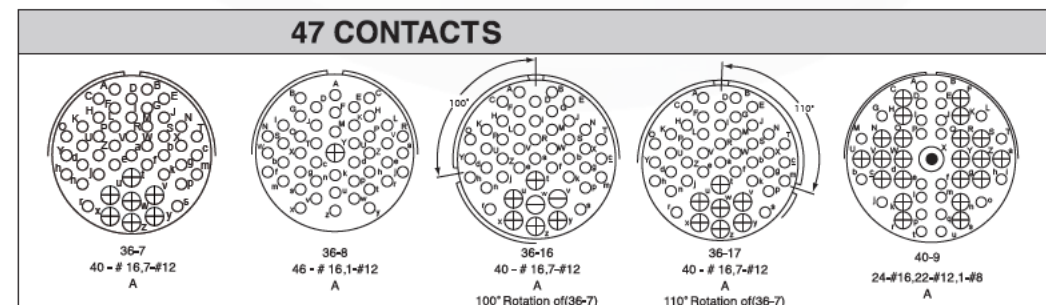
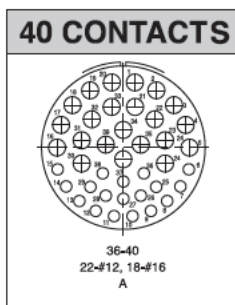
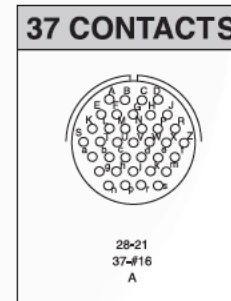
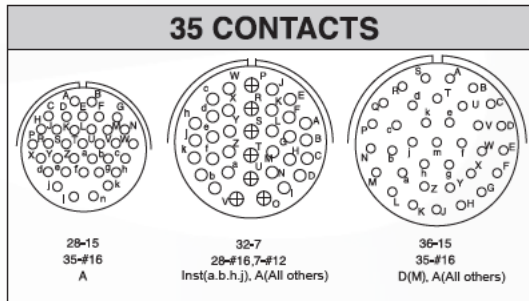
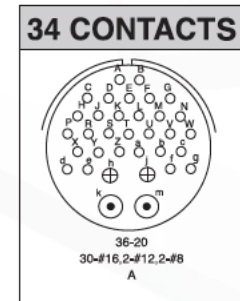
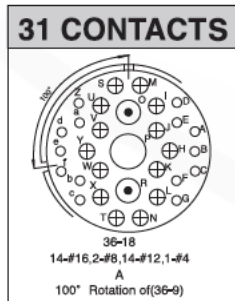
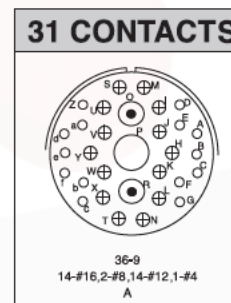
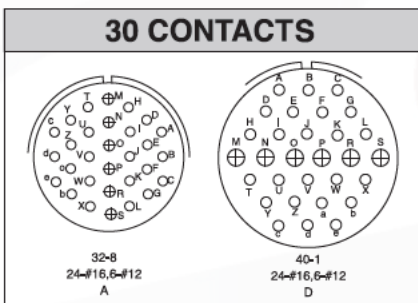
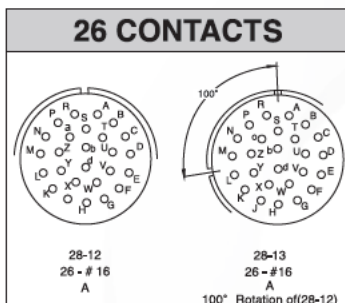
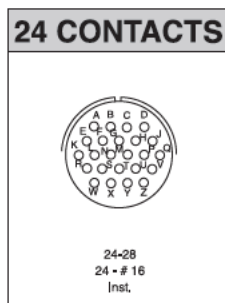
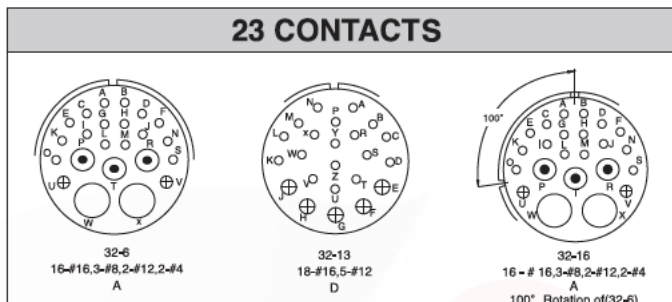
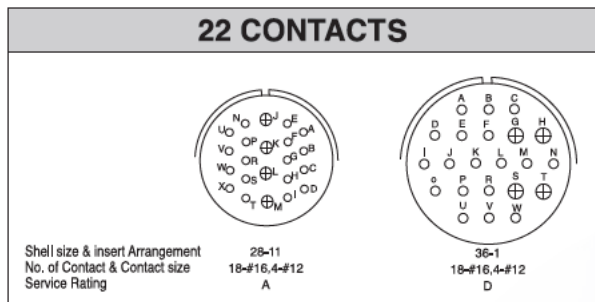
### 20 CONTACTS

 28-16 20-#16 A
--------------------------

# SUNGJIN C&T MIL-C-5015 CONNECTORS

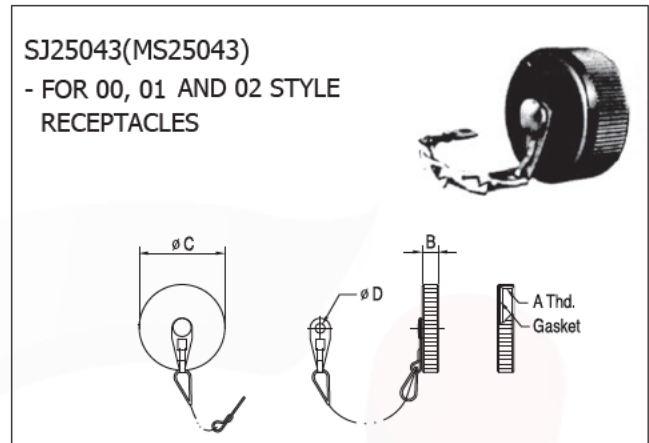
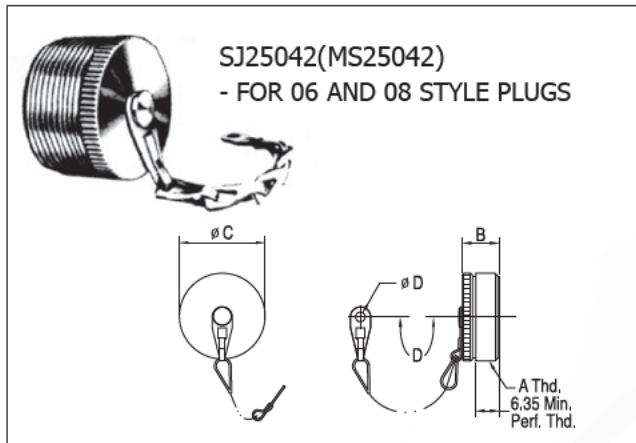
WWW.SJCNT.CO.KR

Front face of pin insert or rear of socket insert illustrated



## Accessories

### Protective Metal Cap



### Ordering Information

MS25042 - 12 D A  
SJ25042 - 12 D A

BASIC PART NO. \_\_\_\_\_  
DASH NO \_\_\_\_\_  
CHAIN STYLE \_\_\_\_\_  
FINISH \_\_\_\_\_

#### CHAIN STYLE

- A - Copper Alloy Sash Chain, Black Chromate Coating
- C - Copper Alloy Sash Chain, Black Chromate Coating
- D - Stainless steel Sash Chain, Passivated
- R - Stainless steel Rope

#### FINISH

- A - Black Anodize
- N - Electroless Nickel
- W - Cadmium, Olive Drab
- Z - Green Chromate Coating over zinc plating

DASH NO	Cap Shell Size	MS 25042-(Cap for plug)				MS 25043-(Cap for receptacle)			
		A Thread(-2A)	B Max.	C Max.	D +0.00 -0.37	A Thread(-2B)	B Max.	C Max.	D +0.00 -0.37
8	8S,	1/2-28 UNEF	16.66	14.27	4.22	1/2-28 UNEF	11.91	17.48	3.81
10	10S,10SL	5/8-24 UNEF	16.66	17.45	4.22	5/8-24 UNEF	11.91	20.70	3.81
12	12S, 12	3/4-20 UNEF	21.44	20.62	4.22	3/4-20 UNEF	11.91	25.40	3.81
14	14S, 14	7/8-20 UNEF	21.44	23.80	4.22	7/8-20 UNEF	11.91	28.58	3.81
16	16S,16	1-20 UNEF	21.44	26.97	4.22	1-20 UNEF	11.91	30.18	3.81
18	18	1 1/8-18 UNEF	21.44	30.15	4.22	1 1/8-18 UNEF	11.91	34.13	3.81
20	20	1 1/4-18 UNEF	21.44	33.32	5.0	1 1/4-18 UNEF	11.91	37.31	3.81
22	22	1 3/8-18 UNEF	21.44	36.50	5.0	1 3/8-18 UNEF	11.91	40.49	3.81
24	24	1 1/2-18 UNEF	21.44	39.67	5.0	1 1/2-18 UNEF	11.91	43.66	4.58
28	28	1 3/4-18 UNEF	21.44	46.02	5.0	1 3/4-18 UNEF	13.49	50.01	4.58
32	32	2-18 UNS	21.44	52.37	5.79	2-18 UNS	13.49	56.36	5.0
36	36	2 1/4-16 UN	21.44	58.72	5.79	2 1/4-16 UN	13.49	62.71	5.0
40	40	2 1/2-16 UN	21.44	65.07	5.79	2 1/2-16 UN	13.49	69.06	5.0
44	44	2 3/4-16 UN	21.44	71.42	5.79	2 3/4-16 UN	13.49	75.41	5.0
48	48	3-16 UN	21.44	77.77	5.79	3-16 UN	13.49	80.98	5.0

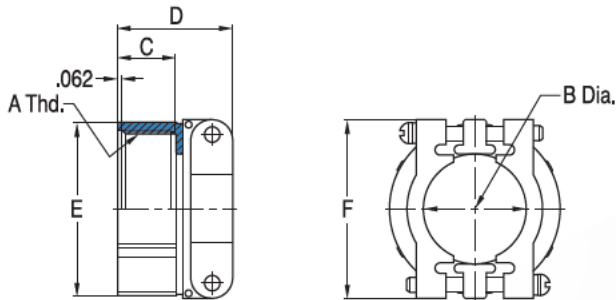
1. DIMENSIONS IN BRACKETS [ ] ARE IN MILLIMETERS.

# SUNGJIN C&T MIL-C-5015 CONNECTORS

WWW.SJCNT.CO.KR

## Accessories SJ3057(MS3057)-Cable Clamp

### Ordering Information



MS3057 - 12A A  
SJ3057 - 12A A

BASIC PART NO. \_\_\_\_\_

DASH NO. \_\_\_\_\_

FINISH. \_\_\_\_\_

FINISH

A - Black Anodize

N - Electroless Nickel

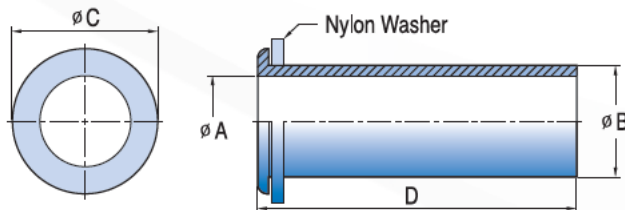
W - Cadmium Olive Drab

Z - Green Chromate Coating Over Zink Plating

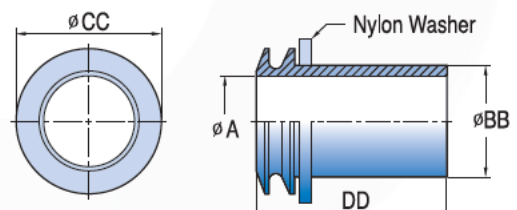
Dash No.	Connector Shell Size(Ref)	A Thread	B Wire Bundle Accommodation Max.	C	D	E	F
3	8S & 10S	.500-28 UNEF-2B	.250[6.35]	.406[10.31]	.812[20.62]	.688[17.48]	.812[20.62]
4	10SL, 12S & 12	.625-24 UNEF-2B	.312[7.92]	.406[10.31]	.812[20.62]	.812[20.62]	.875[22.22]
6	14S, &14	.750-20 UNEF-2B	.438[11.13]	.406[10.31]	.875[22.22]	.969[24.61]	1.062[26.97]
8	16S, 16	.875-20 UNEF-2B	.562[14.27]	.406[10.31]	.938[23.83]	1.094[27.79]	1.156[29.36]
10	18	1.000-20 UNEF-2B	.625[15.88]	.406[10.31]	.938[23.83]	1.188[30.18]	1.250[31.75]
12	20 & 22	1.188-18 UNEF-2B	.750[19.05]	.406[10.31]	.938[23.83]	1.375[34.93]	1.469[37.31]
16	24 & 28	1.438-18 UNEF-2B	.938[23.83]	.406[10.31]	1.031[26.19]	1.656[42.06]	1.688[42.88]
20	32	1.750-18 UNS-2B	1.250[31.75]	.469[11.91]	1.094[27.79]	2.031[51.59]	2.031[51.59]
24	36	2.000-18 UNS-2B	1.375[34.93]	.531[13.49]	1.156[29.36]	2.219[56.36]	2.281[57.94]
28	40	2.250-16 UN-2B	1.625[41.28]	.531[13.49]	1.688[42.88]	2.500[63.50]	2.688[68.28]

1. DIMENSIONS IN BRACKETS [ ] ARE IN MILLIMETERS.

## SJ3420(MS3420)-Rubber Bushing Ordering Information



TYPE A



TYPE W

MS3420 - 12 A  
SJ3420 - 12 A

BASIC PART NO. \_\_\_\_\_

DASH NO. \_\_\_\_\_

TYPE. \_\_\_\_\_

TYPE

A - Standard type

W - Water Proof type

Dash No.	A	B	BB	C	CC	D	DD	Fits In Cable Clamp
3	.130[3.30]	.210[5.33]	-	.379[9.63]	ø5	2.875[73.03]	-	MS5037-3A *
4	.220[5.59]	.302[7.67]	.302[7.67]	.551[14.00]	.465[11.81]	2.750[69.85]	1.516[38.51]	MS5037-4A *
6	.312[7.92]	.427[10.85]	.427[10.85]	.669[16.99]	.579[14.71]	2.625[66.68]	1.516[38.51]	MS5037-6A *
8	.437[11.10]	.552[14.02]	.552[14.02]	.787[20.00]	.705[17.91]	2.500[63.50]	1.516[38.51]	MS5037-8A *
10	.562[14.27]	.615[15.62]	.615[15.62]	.917[23.29]	.850[21.59]	2.375[60.33]	1.516[38.51]	MS5037-10A *
10-1	.472[12.00]	-	.615[15.62]	-	.850[21.59]	-	1.516[38.51]	MS5037-10A *
10-2	.453[11.51]	-	.615[15.62]	-	.850[21.59]	-	1.516[38.51]	MS5037-10A *
12	.625[15.88]	.740[18.80]	.740[18.80]	1.102[27.99]	.988[25.10]	2.250[57.15]	1.547[39.29]	MS5037-12A *
12-1	.512[13.00]	-	.740[18.80]	-	.988[25.10]	-	1.547[39.29]	MS5037-12A *
12-2	.492[12.50]	ø5	.740[18.80]	-	.988[25.10]	-	1.547[39.29]	MS5037-12A *
16	.750[19.05]	.927[23.55]	.927[23.55]	1.350[34.29]	1.201[30.51]	2.125[53.98]	1.575[40.01]	MS5037-16A *
16-1	.610[15.49]	-	.927[23.55]	-	1.201[30.51]	-	1.575[40.01]	MS5037-16A *
20	.937[23.80]	1.240[31.50]	1.240[31.50]	1.654[42.01]	1.504[38.20]	2.000[50.80]	1.614[41.00]	MS5037-20A *
24	1.250[31.75]	1.365[34.67]	-	1.902[48.31]	-	1.875[47.63]	-	MS5037-24A *
28	1.375[34.93]	1.641[41.00]	-	2.085[52.96]	-	1.750[44.45]	-	MS5037-28A *

1. DIMENSIONS IN BRACKETS [ ] ARE IN MILLIMETERS.