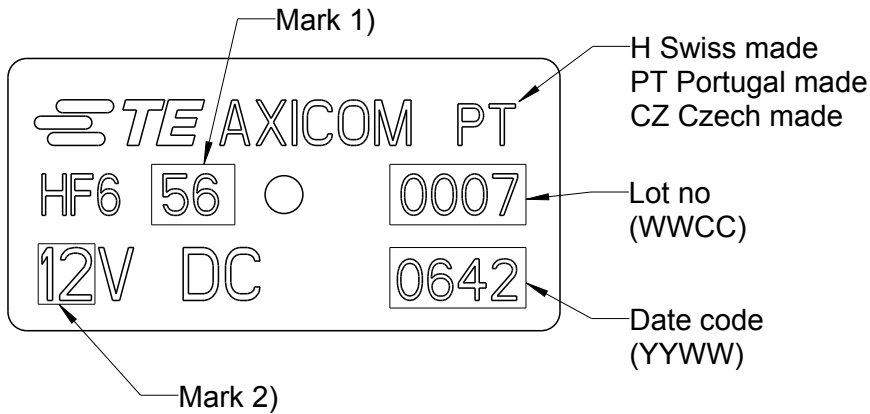


| LOC | DIST | REVISIONS | | | | | |
|-----|------|-----------|-----|-------------------------------------|-----------|-----|------|
| | | P | LTR | DESCRIPTION | DATE | DWN | APVD |
| HJ | - | | C1 | ECR-14-007162 (Packing information) | 13OCT2015 | AP | AK |
| | | | C | REVISED PER ECO-13-009645 | 18JUN2013 | UKo | AK |
| | | | B2 | New HF6 93R | 12JAN2012 | UKo | BK |
| | | | B1 | Printing | 09JUL2010 | UKo | HD |
| | | | | | | | |



Packaging data code (Box, bag, reels):
P(YWWDSL)000
Shipping data code:
YYWW

P - Product code (9 to HF relay)
Y(Y) - Year (last digit for packaging)
WW - calendar week (from date code)
D - Day of the week (1=Sat,.....and 7=Fri)
S - Shift (1=day shift, 2 night shift)
L - Production Line
C - Weekly sequential number
000 - For internal use

| Pos. | Relay-Typ | Mark 1) | Mark 2) | PN |
|------|-----------|---------|---------|-------------|
| 1 | HF6 51 | 51 | 3 | 1462052-1 |
| 2 | HF6 52 | 52 | 4.5 | 1462052-2 |
| 3 | HF6 53 | 53 | 5 | 1462052-3 |
| 4 | HF6 54 | 54 | 6 | 1462052-4 |
| 5 | HF6 55 | 55 | 9 | 1462052-5 |
| 6 | HF6 56 | 56 | 12 | 1462052-6 |
| 7 | HF6 57 | 57 | 24 | 1462052-7 |
| 8 | HF6 71 | 71 | 3 | 1462052-8 |
| 9 | HF6 72 | 72 | 4.5 | 1462052-9 |
| 10 | HF6 73 | 73 | 5 | 1-1462052-0 |
| 11 | HF6 74 | 74 | 6 | 1-1462052-1 |
| 12 | HF6 75 | 75 | 9 | 1-1462052-2 |
| 13 | HF6 76 | 76 | 12 | 1-1462052-3 |
| 14 | HF6 77 | 77 | 24 | 1-1462052-4 |
| 15 | HF6 91 | 91 | 3 | 1-1462052-5 |

2007

RELEASED FOR PUBLICATION

ALL RIGHTS RESERVED.

© COPYRIGHT 2007

THIS DRAWING IS UNPUBLISHED.

| | | | | | | |
|--|------------------|-----------|---|---------------|--------------|---------------|
| DIMENSIONS: mm | DWN UKo 9193 | 04APR2007 | MATERIAL | - | FINISH | - |
| | CHK HD 9121 | 04APR2007 | TE Connectivity HF6-Relay 50Ω Marking | | | |
| TOLERANCES UNLESS OTHERWISE SPECIFIED: DIN 7168-m | APVD HD 9121 | 04APR2007 | | | | |
| 0 PLC ±- | PRODUCT SPEC | - | NAME | HF6-Relay 50Ω | | |
| 1 PLC ±- | APPLICATION SPEC | - | SIZE | CAGE CODE | DRAWING NO | RESTRICTED TO |
| 2 PLC ±- | WEIGHT | - | A4 | 00779 | C- 1462052-1 | - |
| 3 PLC ±- | | | CUSTOMER DRAWING | | | |
| 4 PLC ±- | | | SCALE | 5:1 | SHEET | 1 OF 2 |
| ANGLES ±- | | | | | REV | C1 |

