



SHA105

SHA105 CryptoAuthentication™ Summary Data Sheet

Introduction

The SHA105 is a member of the Microchip Technology Inc. CryptoAuthentication™ product family. The device provides 128 bits of symmetric security targeted for disposable and ecosystem control applications and is intended to be used as a companion device and is microcontroller/microprocessor agnostic. The device is intended for use on the host side of symmetric authentication use cases and can provide secure key storage along with the ability to validate the MAC operation on an accessory/disposable security device through the use of a CheckMAC operation.

Features

- Cryptographic Authentication Device with Secure Hardware-Based Key Storage:
 - Protected storage for symmetric key
- Hardware Support for CheckMAC Validation of Client-Generated MAC
- Internal High-Quality NIST SP 800-90A/B/C Random Number Generator (RNG)
- Extensive Security Measures Against Attacks
- Strong Physical Protection Mechanisms Against Invasive Attacks
- Field-Programmable EEPROM
 - Single symmetric secret key
 - I/O protection key
 - 384-byte user memory
 - 40-year data retention at +55°C
- Monotonic Counter with Max Count Value of 10,000
- Unique 72-Bit Serial Number
- Interface: 400 KHz Fast-Mode I²C Interface
- Voltage Supply Range: 1.65V to 5.5V
- 130 nA Nominal Sleep Current
- Human Body Model (HBM) ESD: >4 kV;
- Packaging Options: 8-Pad UDFN (3 mm x 3 mm), 8-Lead SOIC

Use Cases

Host side authentication support for:

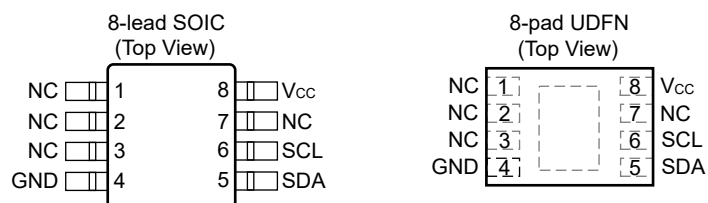
- Disposables and accessory authentication
- Ecosystem control
- Anti-cloning

Pin Configuration and Pinouts

Table 1. Pin Configuration

Package = 8-Pad SOIC or 8-Lead UDFN		
Pin #	Function	I ² C
1-3, 7	No Connect	NC
4	Ground	GND
5	Serial I/O	SDA
6	Serial Clock	SCL
8	Supply	VCC

Figure 1. Pinouts⁽¹⁾



Note:

1. Connecting the exposed backside paddle of the UDFN package to GND is recommended.

Table of Contents

Introduction.....	1
Features.....	1
Use Cases.....	1
Pin Configuration and Pinouts.....	2
1. Overview.....	4
1.1. Use Cases.....	4
1.2. Device Features.....	4
2. Security Information.....	5
2.1. Cryptographic Standards.....	5
2.1.1. SHA-256.....	5
2.2. Key Uses and Restrictions.....	5
2.2.1. Symmetric Keys.....	5
2.2.2. Monotonic Counter.....	5
2.2.3. Transport Keys.....	5
2.3. Security Features.....	5
2.3.1. Physical Security.....	5
2.3.2. Random Number Generator (RNG).....	5
3. Electrical Characteristics.....	6
3.1. Absolute Maximum Ratings.....	6
3.2. Reliability.....	6
3.3. DC Parameters.....	6
3.3.1. DC Parameters: All I/O Interfaces.....	6
4. SHA105 Trust Platform Variants and Provisioning Services.....	8
5. Package Marking Information.....	9
6. Package Drawings.....	10
6.1. 8-Pad UDFN.....	10
6.2. 8-Lead SOIC.....	13
7. Revision History SHA105.....	16
Microchip Information.....	17
The Microchip Website.....	17
Product Change Notification Service.....	17
Customer Support.....	17
Product Identification System.....	18
Microchip Devices Code Protection Feature.....	18
Legal Notice.....	18
Trademarks.....	19
Quality Management System.....	19
Worldwide Sales and Service.....	20

1. Overview

1.1 Use Cases

SHA105 is a member of the Microchip CryptoAuthentication family of high-security cryptographic devices that combine world-class hardware-based key storage with hardware cryptographic accelerators to implement authentication.

SHA105 is defined specifically for use as a host-side device and is typically used with a companion device on the accessory/disposable side of an application, such as the SHA104 or other CryptoAuthentication devices. When used as a pair, the SHA104 plus the SHA105 allow for authentication through generation of a Message Authentication Code (MAC) on the SHA104 and the corresponding validation of that MAC through the use of a CheckMAC on the SHA105.

1.2 Device Features

SHA105 includes an EEPROM array that can be used for storage of one secret key, one I/O protection key, miscellaneous read/write data, consumption logging and security configurations. Write access to the various data zone slots and configuration subzones of memory can be restricted.

The SHA105 supports a standard I²C interface at speeds of up to 400 KHz. The interface is compatible with standard-mode and fast-mode I²C interface specifications.

Each SHA105 unit ships with a unique 72-bit serial number. Also, SHA105 features a wide array of defense mechanisms specifically designed to prevent physical attacks on the device itself or logical attacks on the data transmitted between the device and the system. Hardware restrictions on the ways in which a key is used or generated provide further defense against certain styles of attack.

An enhanced mode of self-test can be enabled by setting the SelfTest bit in the Configuration Zone. In this mode, the tests are required to run prior to the execution of the commands that require cryptographic algorithms.

The SHA105 device has a monotonic counter that can be used by the host system for a purpose of its choosing. The maximum value of the counter is limited to a maximum of 10,000 uses. A lower value can be programmed into the device during provisioning if so desired.

2. Security Information

2.1 Cryptographic Standards

SHA105 follows various industry standards for the computation of cryptographic results. These reference documents are described in the following sections. See the Microchip website for further documentation on NIST CAVP certification of these cryptographic functions.

2.1.1 SHA-256

The SHA105 computes the SHA-256 digest based on the algorithm documented here:

<http://nvlpubs.nist.gov/nistpubs/FIPS/NIST.FIPS.180-4.pdf>

2.2 Key Uses and Restrictions

2.2.1 Symmetric Keys

The parent symmetric secret key is stored in Slot 3 of the data zone and is 32 bytes (256 bits) in length. This key is based on SHA-256 cryptography and provides 128 bits of key strength. For the host (SHA105) device, the parent symmetric key must always be programmed into the device. For the client device, either the parent or a diversified key may be programmed into Slot 3.

For the SHA105 Slot 0 may be configured with an I/O Protection key. This key can be used to generate the MAC response for the `CheckMac` command.

2.2.2 Monotonic Counter

SHA105 supports one nonvolatile monotonic counter that can count to a value of 10,000.

The monotonic counter can only be used as a system counter and can not be connected to any keys :

2.2.3 Transport Keys

The SHA105 includes an internal hardware set of keys that is used for secure personalization (i.e., transport keys). The values of the hardware keys are kept secret and are made available only to qualified customers upon request to Microchip. Microchip also offers secure personalization services through the Trust Platform provisioning services. Contact your local Microchip Sales Office for more information on such services.

2.3 Security Features

2.3.1 Physical Security

The SHA105 incorporates a number of physical security features designed to protect the EEPROM contents from unauthorized exposure.

2.3.2 Random Number Generator (RNG)

The SHA105 device includes a high-quality cryptographic RNG implemented according to the NIST standards SP800-90A/B/C.

3. Electrical Characteristics

3.1 Absolute Maximum Ratings

Operating Temperature	-40°C to +105°C
Storage Temperature	-65°C to +150°C
Maximum Operating Voltage	6.0V
DC Output Low Current	20 mA
Voltage on any Pin -0.5V to (V _{CC} + 0.5V)	-0.5V to (V _{CC} + 0.5V)
ESD Ratings:	
Human Body Model (HBM) ESD	>4 kV
Charge Device Model (CDM) ESD	>2 kV

Note: Stresses beyond those listed under “Absolute Maximum Ratings” may cause permanent damage to the device. This is a stress rating only and functional operation of the device at these or any other conditions beyond those indicated in the operational sections of this specification are not implied. Exposure to absolute maximum rating conditions for extended periods may affect device reliability.

3.2 Reliability

The SHA105 is fabricated with Microchip’s high-reliability CMOS EEPROM manufacturing technology.

Table 3-1. EEPROM Reliability

Parameter	Min	Typ.	Max.	Units
Data Retention at +55°C	>40	—	—	Years
Read Endurance	Unlimited			Read Cycles

Note:

- The number of times that an EEPROM cell would be written is expected to be minimal for most use cases. Maximum EEPROM write cycles are expected to occur when the monotonic counter is used, which can be incremented up to 10,000 times. Similar devices in this technology have a write endurance of >100k.

3.3 DC Parameters

3.3.1 DC Parameters: All I/O Interfaces

Table 3-2. DC Parameters on All I/O Interfaces with V_{CC} Power Applied

Unless otherwise indicated, these values are applicable over the specified operating range from T_A = -40°C to +105°C, V_{CC} = +1.65V to +5.5V.

Parameter	Sym.	Min.	Typ.	Max.	Units	Conditions
Ambient Operating Temperature	T _A	-40	—	+105	°C	—
V _{CC} Ramp Rate ⁽³⁾	V _{RISE}	—	—	0.1	V/μs	—

SHA105

Electrical Characteristics

.....continued						
Parameter	Sym.	Min.	Typ.	Max.	Units	Conditions
Output Low Voltage	V _{OL}	—	—	0.4	V	When the device is in Active mode, V _{CC} = 1.65V to 3.6V for output-low current = 4.0 mA
		—	—	0.4	V	V _{CC} > 3.6V = 10.0 mA ⁽³⁾
Input Low Threshold	V _{IL1}	-0.5	—	0.3*V _{CC}	V	Device is active and CMOSEnable = 1
Input High Threshold	V _{IH1}	0.7*V _{CC}	—	V _{CC} +0.5	V	Device is active and CMOSEnable = 1
Input Low Threshold ⁽¹⁾	V _{IL0}	-0.5	—	0.5	V	Device is active and CMOSEnable = 0
Input High Threshold ⁽¹⁾	V _{IH0}	1.2	—	V _{CC} +0.5	V	Device is active and CMOSEnable = 0
Input Leakage (I ² C Signals)	I _{IN}	-200	—	200	nA	V _{IN} = V _{CC} or GND
Sleep Current ⁽²⁾	I _{SLEEP}	—	130	325 ⁽³⁾	nA	When the device is in Sleep mode, V _{CC} ≤ 3.6V, I/O at either GND or V _{CC} T _A ≤ +55°C
		—	130	500	nA	V _{CC} ≤ 3.6V, I/O at either GND or V _{CC} Full temperature Range
		—	130	1000	nA	When the device is in Sleep mode Over full V _{CC} and temperature range
Current Consumption in I/O Mode	I _{I/O}	—	60	250	μA	Waiting for I/O
Theta JA	Θ _{JA}	—	166	—	°C/W	8-lead SOIC
		—	173	—	°C/W	8-pad UDFN

Notes:

1. CMOSen = 0 must only be used when V_{CC} is between 2.0V and 5.5V and the host is running on a lower supply voltage than the client. In this mode, the input buffers are referenced to an internal supply and V_{IL} and V_{IH} levels are independent of the external V_{CC} supply over this range. For voltages lower than 2.0V, CMOSen must always be set to '1'.
2. The lowest system current will be achieved if the inputs are driven to V_{CC} or allowed to be pulled up to V_{CC} by the pull-up resistors on the signal lines.
3. This condition is characterized but not production tested.

4. SHA105 Trust Platform Variants and Provisioning Services

Microchip offers secure provisioning services for the SHA105 through the [Trust Platform](#). It leverages the [Trust Platform Design Suite](#) set of tools (TPDS) and currently offers three provisioning flows:

- Trust&GO: Pre-configured and pre-provisioned Secure Elements for fix-function Use Cases
- TrustFLEX: Pre-configured and provisioned Secure Element with customer-unique credentials
- TrustCUSTOM: Fully customizable Secure Element including configuration and provisioning with customer-unique credentials

The [Trust&GO](#) flow provides pre-configured and pre-provisioned secure elements. These products are defined to meet common use case applications for customers that do not require unique credentials. These devices are provided as is and can be ordered directly from Microchip as easily as any standard product.

The [TrustFLEX](#) flow leverages the TrustFLEX configurator to input unique customer credentials into a pre-defined configuration and generate a Secure Exchange Package. This package is, then, deployed via the Microchip Secure Provisioning System to enable device ordering. Then, only the customer designated in the Secure Exchange Package can order these devices.

The [TrustCUSTOM](#) flow leverages the TrustCUSTOM configurator and provides the ability to fully configure the SHA105 device to meet the security requirements for a given application. At the end of the process, a Secure Exchange Package that is deployed to the Microchip Secure Provisioning System is generated. Then, only the customer designated in the Secure Exchange Package can order these devices.



Important: Microchip's test sites, that provide secure provisioning services, are equipped with Hardware Security Modules (HSMs) to ensure the security of customer data throughout the provisioning process.

SHA105 Trust Platform Products

Trust Platform products are currently in development for the SHA105. Both TrustFLEX and TrustCUSTOM versions will be available.

Table 4-1. SHA105 Trust Platform Ordering Codes⁽¹⁾

Trust Platform Type	Production Ordering Code	Package Type	Temperature Range
TrustFLEX ⁽²⁾	SHA105-TFLXAUTHU	8-pad UDFN	Standard Industrial. -40°C to +105°C
	SHA105-TFLXAUTHS	8-pin SOIC	Standard Industrial. -40°C to +105°C
TrustCUSTOM ⁽³⁾	SHA105-TCSMU	8-pad UDFN	Standard Industrial. -40°C to +105°C
	SHA105-TCSMS	8-pin SOIC	Standard Industrial. -40°C to +105°C

Notes:

1. This table is a representative sample of Trust Platform Devices. Please refer to each Trust Platform Type for a more complete list.
2. For a complete list of ordering codes including sample devices, see the respective data sheets.
3. TrustCUSTOM sample devices correspond to the standard generic SHA105 devices. SHA105-TCSMU/SHA105-TCSMS is equivalent to SHA105-MAHDA/SHA105-SSHDA, respectively.

5. Package Marking Information

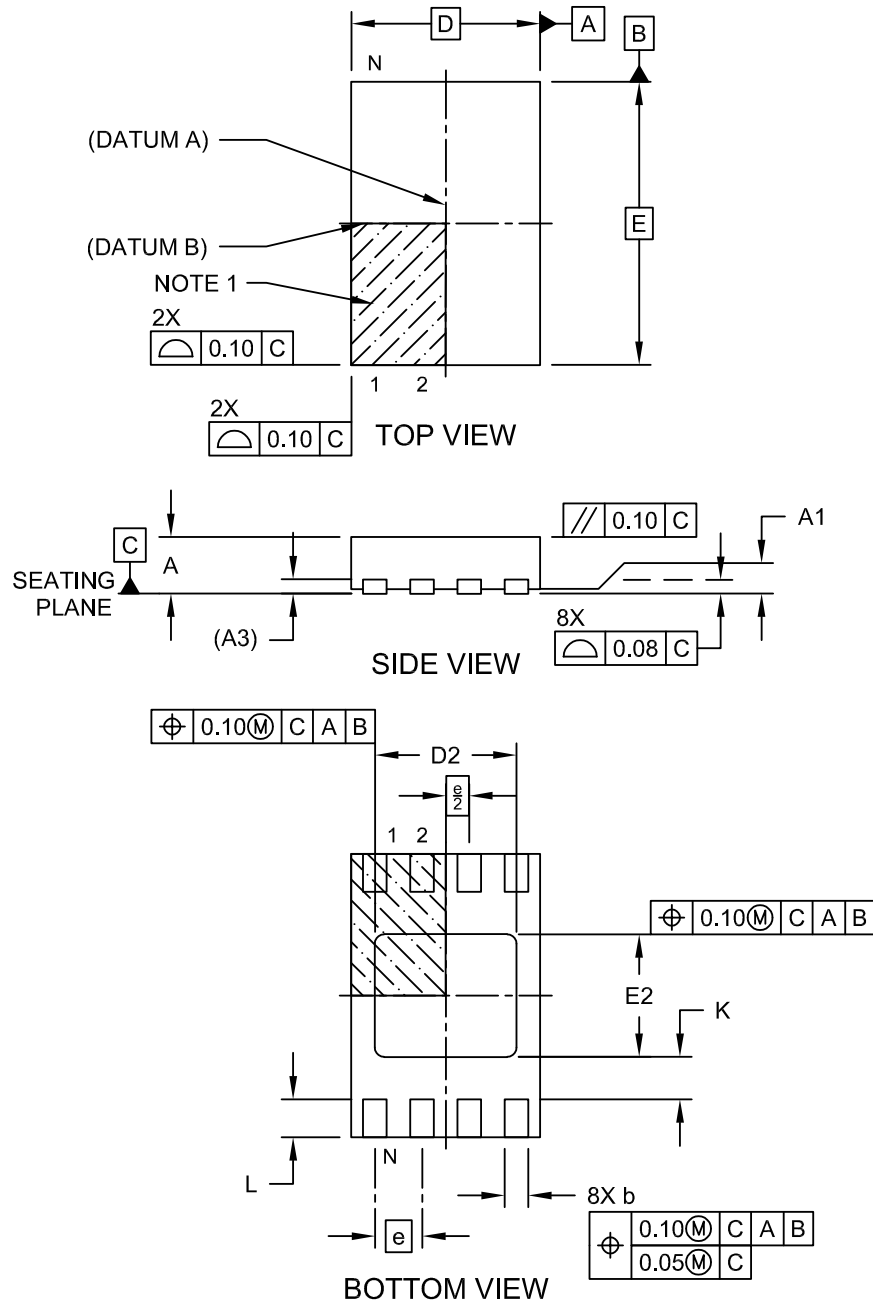
As part of Microchip's overall security features, the part marking for all crypto devices is intentionally vague. The marking on the top of the package does not provide any information as to the actual device type or the manufacturer of the device. The alphanumeric code on the package provides manufacturing information and will vary with assembly lot. It is recommended that the packaging mark not be used as part of any incoming inspection procedure.

6. Package Drawings

6.1 8-Pad UDFN

8-Lead Ultra Thin Plastic Dual Flat, No Lead Package (Q4B) - 2x3 mm Body [UDFN] Atmel Legacy Global Package Code YNZ

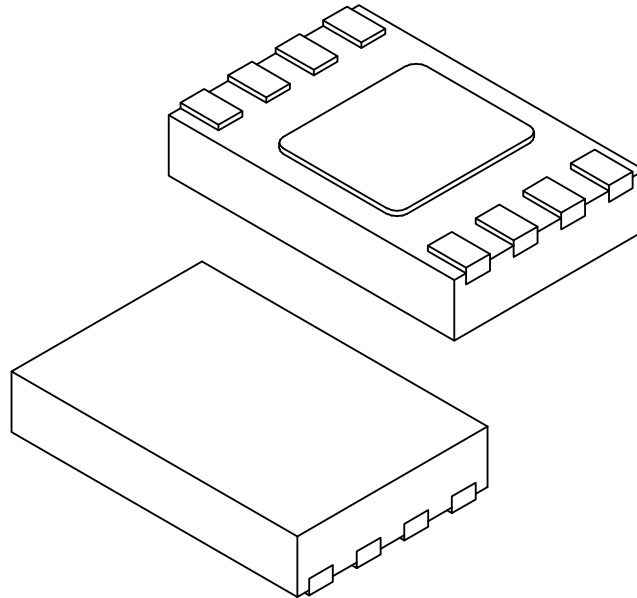
Note: For the most current package drawings, please see the Microchip Packaging Specification located at <http://www.microchip.com/packaging>



Microchip Technology Drawing C04-21355-Q4B Rev C Sheet 1 of 2

8-Lead Ultra Thin Plastic Dual Flat, No Lead Package (Q4B) - 2x3 mm Body [UDFN] Atmel Legacy Global Package Code YNZ

Note: For the most current package drawings, please see the Microchip Packaging Specification located at <http://www.microchip.com/packaging>



Dimension Limits	Units	MILLIMETERS		
		MIN	NOM	MAX
Number of Terminals	N	8		
Pitch	e	0.50 BSC		
Overall Height	A	0.50	0.55	0.60
Standoff	A1	0.00	0.02	0.05
Terminal Thickness	A3	0.152 REF		
Overall Length	D	2.00 BSC		
Exposed Pad Length	D2	1.40	1.50	1.60
Overall Width	E	3.00 BSC		
Exposed Pad Width	E2	1.20	1.30	1.40
Terminal Width	b	0.18	0.25	0.30
Terminal Length	L	0.25	0.35	0.45
Terminal-to-Exposed-Pad	K	0.20	-	-

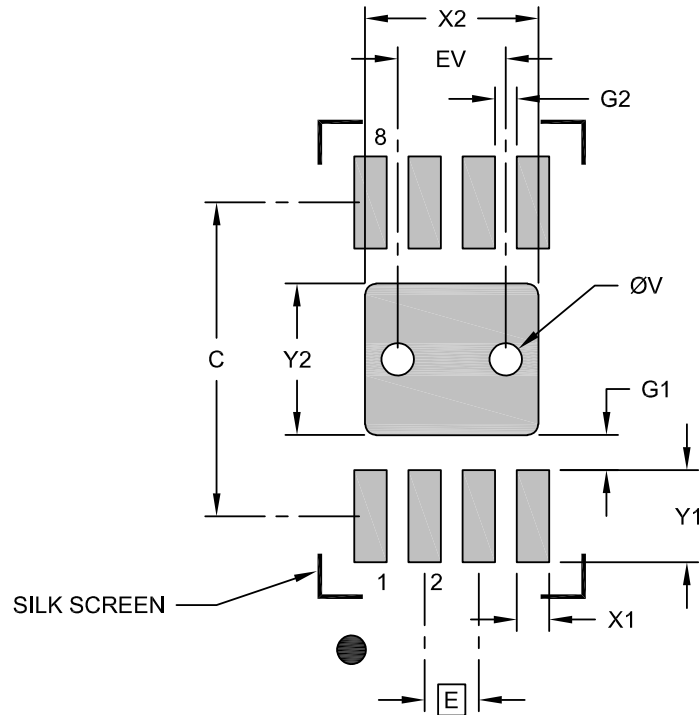
Notes:

1. Pin 1 visual index feature may vary, but must be located within the hatched area.
2. Package is saw singulated
3. Dimensioning and tolerancing per ASME Y14.5M
 - BSC: Basic Dimension. Theoretically exact value shown without tolerances.
 - REF: Reference Dimension, usually without tolerance, for information purposes only.

Microchip Technology Drawing C04-21355-Q4B Rev C Sheet 2 of 2

8-Lead Ultra Thin Plastic Dual Flat, No Lead Package (Q4B) - 2x3 mm Body [UDFN] Atmel Legacy Global Package Code YNZ

Note: For the most current package drawings, please see the Microchip Packaging Specification located at <http://www.microchip.com/packaging>



RECOMMENDED LAND PATTERN

Dimension Limits	Units	MILLIMETERS		
		MIN	NOM	MAX
Contact Pitch	E	0,50 BSC		
Optional Center Pad Width	X2			1,60
Optional Center Pad Length	Y2			1,40
Contact Pad Spacing	C		2,90	
Contact Pad Width (X8)	X1			0,30
Contact Pad Length (X8)	Y1			0,85
Contact Pad to Center Pad (X8)	G1	0,33		
Contact Pad to Contact Pad (X6)	G2	0,20		
Thermal Via Diameter	V		0,30	
Thermal Via Pitch	EV		1,00	

Notes:

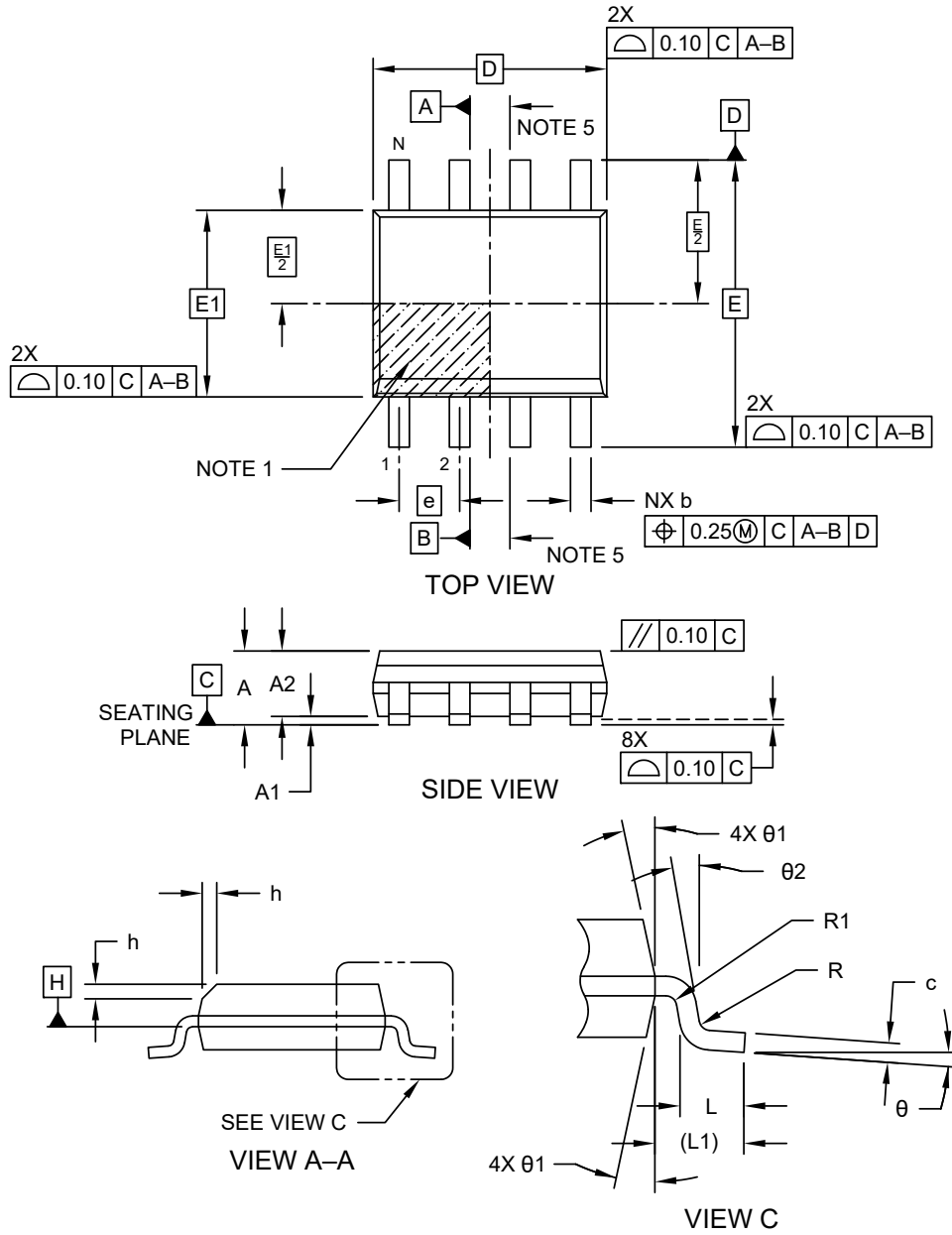
1. Dimensioning and tolerancing per ASME Y14.5M
BSC: Basic Dimension. Theoretically exact value shown without tolerances.
2. For best soldering results, thermal vias, if used, should be filled or tented to avoid solder loss during reflow process

Microchip Technology Drawing C04-23355-Q4B Rev C

6.2 8-Lead SOIC

8-Lead Plastic Small Outline (OA) - Narrow, 3.90 mm (.150 In.) Body [SOIC]

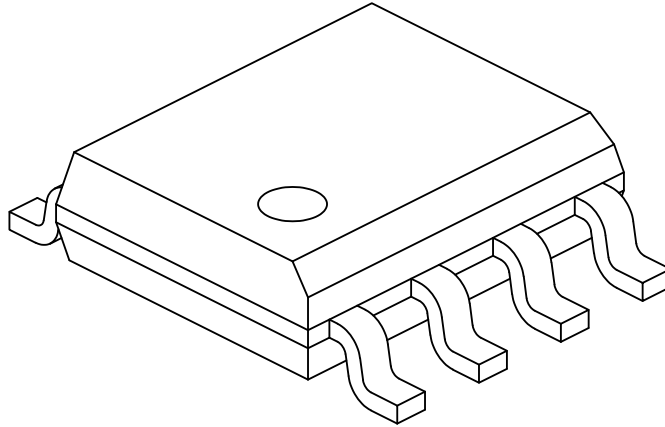
Note: For the most current package drawings, please see the Microchip Packaging Specification located at <http://www.microchip.com/packaging>



Microchip Technology Drawing No. C04-057-OA Rev K Sheet 1 of 2

8-Lead Plastic Small Outline (OA) - Narrow, 3.90 mm (.150 In.) Body [SOIC]

Note: For the most current package drawings, please see the Microchip Packaging Specification located at <http://www.microchip.com/packaging>



Dimension Limits	Units	MILLIMETERS		
		MIN	NOM	MAX
Number of Pins	N	8		
Pitch	e	1.27 BSC		
Overall Height	A	–	–	1.75
Molded Package Thickness	A2	1.25	–	–
Standoff §	A1	0.10	–	0.25
Overall Width	E	6.00 BSC		
Molded Package Width	E1	3.90 BSC		
Overall Length	D	4.90 BSC		
Chamfer (Optional)	h	0.25	–	0.50
Foot Length	L	0.40	–	1.27
Footprint	L1	1.04 REF		
Lead Thickness	c	0.17	–	0.25
Lead Width	b	0.31	–	0.51
Lead Bend Radius	R	0.07	–	–
Lead Bend Radius	R1	0.07	–	–
Foot Angle	θ	0°	–	8°
Mold Draft Angle	θ1	5°	–	15°
Lead Angle	θ2	0°	–	–

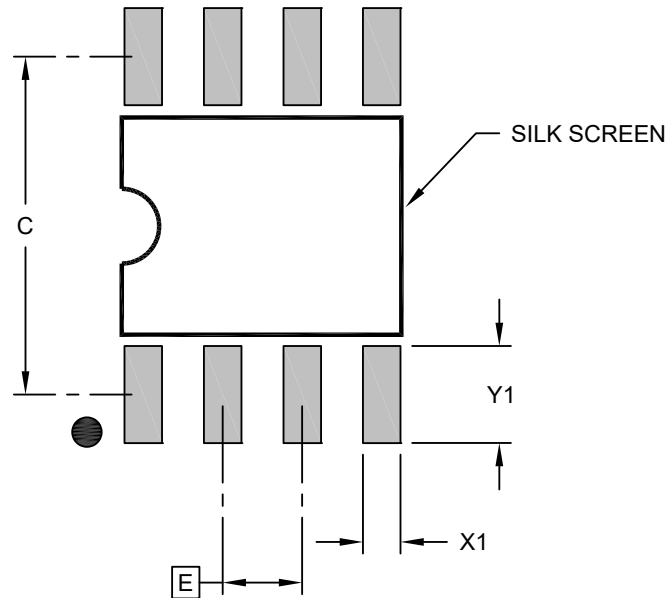
Notes:

1. Pin 1 visual index feature may vary, but must be located within the hatched area.
2. § Significant Characteristic
3. Dimensions D and E1 do not include mold flash or protrusions. Mold flash or protrusions shall not exceed 0.15mm per side.
4. Dimensioning and tolerancing per ASME Y14.5M
 - BSC: Basic Dimension. Theoretically exact value shown without tolerances.
 - REF: Reference Dimension, usually without tolerance, for information purposes only.
5. Datums A & B to be determined at Datum H.

Microchip Technology Drawing No. C04-057-OA Rev K Sheet 2 of 2

8-Lead Plastic Small Outline (OA) - Narrow, 3.90 mm (.150 In.) Body [SOIC]

Note: For the most current package drawings, please see the Microchip Packaging Specification located at <http://www.microchip.com/packaging>



RECOMMENDED LAND PATTERN

Dimension Limits	Units	MILLIMETERS		
		MIN	NOM	MAX
Contact Pitch	E	1.27 BSC		
Contact Pad Spacing	C		5.40	
Contact Pad Width (X8)	X1			0.60
Contact Pad Length (X8)	Y1			1.55

Notes:

1. Dimensioning and tolerancing per ASME Y14.5M
 BSC: Basic Dimension. Theoretically exact value shown without tolerances.

Microchip Technology Drawing C04-2057-OA Rev K

7. Revision History SHA105

Revision A (March 2023)

- Initial data sheet release

Microchip Information

The Microchip Website

Microchip provides online support via our website at www.microchip.com/. This website is used to make files and information easily available to customers. Some of the content available includes:

- **Product Support** – Data sheets and errata, application notes and sample programs, design resources, user's guides and hardware support documents, latest software releases and archived software
- **General Technical Support** – Frequently Asked Questions (FAQs), technical support requests, online discussion groups, Microchip design partner program member listing
- **Business of Microchip** – Product selector and ordering guides, latest Microchip press releases, listing of seminars and events, listings of Microchip sales offices, distributors and factory representatives

Product Change Notification Service

Microchip's product change notification service helps keep customers current on Microchip products. Subscribers will receive email notification whenever there are changes, updates, revisions or errata related to a specified product family or development tool of interest.

To register, go to www.microchip.com/pcn and follow the registration instructions.

Customer Support

Users of Microchip products can receive assistance through several channels:

- Distributor or Representative
- Local Sales Office
- Embedded Solutions Engineer (ESE)
- Technical Support

Customers should contact their distributor, representative or ESE for support. Local sales offices are also available to help customers. A listing of sales offices and locations is included in this document.

Technical support is available through the website at: www.microchip.com/support

Product Identification System

To order or obtain information, e.g., on pricing or delivery, refer to the factory or the listed sales office.

PART NO.	-XX	X	XX	-X
Device	Package	Temp Range	I/O Type	Tape and Reel

Device:	SHA105: Cryptographic Co-processor with Secure Hardware-based Key Storage	
Package Options	SS	8-Lead (0.150" Wide Body), Plastic Gull Wing Small Outline (JEDEC SOIC)
	MA	8-Pad 2 x 3 x 0.6 mm Body, Thermally Enhanced Plastic Ultra Thin Dual Flat NoLead Package (UDFN)
Temperature Option	V	Extended Industrial Temperature Range. -40°C to 105°C
I/O Type	DA	I ² C Interface
Tape and Reel Options	T	Tape and Reel (Size varies by package type)

Examples:

- SHA105-SSVDA-T: 8-Lead (0.150" Wide Body), Plastic Gull Wing Small Outline (JEDEC SOIC), I²C, Tape and Reel, 3,300 per Reel
- SHA105-MAVDA-T: 8-Pad 2 x 3 x 0.6 mm Body, Thermally Enhanced Plastic Ultra Thin Dual Flat NoLead Package (UDFN), IC, Tape and Reel, 5,000 per Reel

Notes:

1. Tape and Reel identifier only appears in the catalog part number description. This identifier is used for ordering purposes and is not printed on the device package. Check with your Microchip Sales Office for package availability with the Tape and Reel option.
2. Small form-factor packaging options may be available. Please check www.microchip.com/packaging for small-form factor package availability, or contact your local Sales Office.
3. For customers that have interest in a SWI version of this device please contact Microchip Sales to determine availability.

Microchip Devices Code Protection Feature

Note the following details of the code protection feature on Microchip products:

- Microchip products meet the specifications contained in their particular Microchip Data Sheet.
- Microchip believes that its family of products is secure when used in the intended manner, within operating specifications, and under normal conditions.
- Microchip values and aggressively protects its intellectual property rights. Attempts to breach the code protection features of Microchip product is strictly prohibited and may violate the Digital Millennium Copyright Act.
- Neither Microchip nor any other semiconductor manufacturer can guarantee the security of its code. Code protection does not mean that we are guaranteeing the product is "unbreakable". Code protection is constantly evolving. Microchip is committed to continuously improving the code protection features of our products.

Legal Notice

This publication and the information herein may be used only with Microchip products, including to design, test, and integrate Microchip products with your application. Use of this information in any other manner violates these terms. Information regarding device applications is provided only for your convenience and may be superseded by updates. It is your responsibility to ensure that your application meets with your specifications. Contact your local Microchip sales office for additional support or, obtain additional support at www.microchip.com/en-us/support/design-help/client-support-services.

THIS INFORMATION IS PROVIDED BY MICROCHIP "AS IS". MICROCHIP MAKES NO REPRESENTATIONS OR WARRANTIES OF ANY KIND WHETHER EXPRESS OR IMPLIED, WRITTEN OR ORAL, STATUTORY OR OTHERWISE, RELATED TO THE INFORMATION INCLUDING BUT NOT LIMITED TO ANY IMPLIED WARRANTIES OF NON-INFRINGEMENT, MERCHANTABILITY, AND FITNESS FOR A PARTICULAR PURPOSE, OR WARRANTIES RELATED TO ITS CONDITION, QUALITY, OR PERFORMANCE.

IN NO EVENT WILL MICROCHIP BE LIABLE FOR ANY INDIRECT, SPECIAL, PUNITIVE, INCIDENTAL, OR CONSEQUENTIAL LOSS, DAMAGE, COST, OR EXPENSE OF ANY KIND WHATSOEVER RELATED TO THE INFORMATION OR ITS USE, HOWEVER CAUSED, EVEN IF MICROCHIP HAS BEEN ADVISED OF THE POSSIBILITY OR THE DAMAGES ARE FORESEEABLE. TO THE FULLEST EXTENT ALLOWED BY LAW, MICROCHIP'S TOTAL LIABILITY ON ALL CLAIMS IN ANY WAY RELATED TO THE INFORMATION OR ITS USE WILL NOT EXCEED THE AMOUNT OF FEES, IF ANY, THAT YOU HAVE PAID DIRECTLY TO MICROCHIP FOR THE INFORMATION.

Use of Microchip devices in life support and/or safety applications is entirely at the buyer's risk, and the buyer agrees to defend, indemnify and hold harmless Microchip from any and all damages, claims, suits, or expenses resulting from such use. No licenses are conveyed, implicitly or otherwise, under any Microchip intellectual property rights unless otherwise stated.

Trademarks

The Microchip name and logo, the Microchip logo, Adaptec, AVR, AVR logo, AVR Freaks, BesTime, BitCloud, CryptoMemory, CryptoRF, dsPIC, flexPWR, HELDO, IGLOO, JukeBlox, KeeLoq, Kleer, LANCheck, LinkMD, maXStylus, maXTouch, MediaLB, megaAVR, Microsemi, Microsemi logo, MOST, MOST logo, MPLAB, OptoLyzer, PIC, picoPower, PICSTART, PIC32 logo, PolarFire, Prochip Designer, QTouch, SAM-BA, SenGenuity, SpyNIC, SST, SST Logo, SuperFlash, Symmetricom, SyncServer, Tachyon, TimeSource, tinyAVR, UNI/O, Vectron, and XMEGA are registered trademarks of Microchip Technology Incorporated in the U.S.A. and other countries.

AgileSwitch, APT, ClockWorks, The Embedded Control Solutions Company, EtherSynch, Flashtec, Hyper Speed Control, HyperLight Load, Libero, motorBench, mTouch, Powermite 3, Precision Edge, ProASIC, ProASIC Plus, ProASIC Plus logo, Quiet-Wire, SmartFusion, SyncWorld, Temux, TimeCesium, TimeHub, TimePictra, TimeProvider, TrueTime, and ZL are registered trademarks of Microchip Technology Incorporated in the U.S.A.

Adjacent Key Suppression, AKS, Analog-for-the-Digital Age, Any Capacitor, AnyIn, AnyOut, Augmented Switching, BlueSky, BodyCom, Clockstudio, CodeGuard, CryptoAuthentication, CryptoAutomotive, CryptoCompanion, CryptoController, dsPICDEM, dsPICDEM.net, Dynamic Average Matching, DAM, ECAN, Espresso T1S, EtherGREEN, GridTime, IdealBridge, In-Circuit Serial Programming, ICSP, INICnet, Intelligent Paralleling, IntellIMOS, Inter-Chip Connectivity, JitterBlocker, Knob-on-Display, KoD, maxCrypto, maxView, memBrain, Mindi, MiWi, MPASM, MPF, MPLAB Certified logo, MPLIB, MPLINK, MultiTRAK, NetDetach, Omniscient Code Generation, PICDEM, PICDEM.net, PICkit, PICtail, PowerSmart, PureSilicon, QMatrix, REAL ICE, Ripple Blocker, RTAX, RTG4, SAM-ICE, Serial Quad I/O, simpleMAP, SimpliPHY, SmartBuffer, SmartHLS, SMART-I.S., storClad, SQL, SuperSwitcher, SuperSwitcher II, Switchtec, SynchroPHY, Total Endurance, Trusted Time, TSHARC, USBCheck, VariSense, VectorBlox, VeriPHY, ViewSpan, WiperLock, XpressConnect, and ZENA are trademarks of Microchip Technology Incorporated in the U.S.A. and other countries.

SQTP is a service mark of Microchip Technology Incorporated in the U.S.A.

The Adaptec logo, Frequency on Demand, Silicon Storage Technology, and Symmcom are registered trademarks of Microchip Technology Inc. in other countries.

GestIC is a registered trademark of Microchip Technology Germany II GmbH & Co. KG, a subsidiary of Microchip Technology Inc., in other countries.

All other trademarks mentioned herein are property of their respective companies.

© 2023, Microchip Technology Incorporated and its subsidiaries. All Rights Reserved.

ISBN: 978-1-6683-2006-8

Quality Management System

For information regarding Microchip's Quality Management Systems, please visit www.microchip.com/quality.

Worldwide Sales and Service

AMERICAS	ASIA/PACIFIC	ASIA/PACIFIC	EUROPE
<p>Corporate Office 2355 West Chandler Blvd. Chandler, AZ 85224-6199 Tel: 480-792-7200 Tel: 480-792-7277 Technical Support: www.microchip.com/support Web Address: www.microchip.com</p> <p>Atlanta Duluth, GA Tel: 678-957-9614 Fax: 678-957-1455</p> <p>Austin, TX Tel: 512-257-3370</p> <p>Boston Westborough, MA Tel: 774-760-0087 Fax: 774-760-0088</p> <p>Chicago Itasca, IL Tel: 630-285-0071 Fax: 630-285-0075</p> <p>Dallas Addison, TX Tel: 972-818-7423 Fax: 972-818-2924</p> <p>Detroit Novi, MI Tel: 248-848-4000</p> <p>Houston, TX Tel: 281-894-5983</p> <p>Indianapolis Noblesville, IN Tel: 317-773-8323 Fax: 317-773-5453 Tel: 317-536-2380</p> <p>Los Angeles Mission Viejo, CA Tel: 949-462-9523 Fax: 949-462-9608 Tel: 951-273-7800</p> <p>Raleigh, NC Tel: 919-844-7510</p> <p>New York, NY Tel: 631-435-6000</p> <p>San Jose, CA Tel: 408-735-9110 Tel: 408-436-4270</p> <p>Canada - Toronto Tel: 905-695-1980 Fax: 905-695-2078</p>	<p>Australia - Sydney Tel: 61-2-9868-6733</p> <p>China - Beijing Tel: 86-10-8569-7000</p> <p>China - Chengdu Tel: 86-28-8665-5511</p> <p>China - Chongqing Tel: 86-23-8980-9588</p> <p>China - Dongguan Tel: 86-769-8702-9880</p> <p>China - Guangzhou Tel: 86-20-8755-8029</p> <p>China - Hangzhou Tel: 86-571-8792-8115</p> <p>China - Hong Kong SAR Tel: 852-2943-5100</p> <p>China - Nanjing Tel: 86-25-8473-2460</p> <p>China - Qingdao Tel: 86-532-8502-7355</p> <p>China - Shanghai Tel: 86-21-3326-8000</p> <p>China - Shenyang Tel: 86-24-2334-2829</p> <p>China - Shenzhen Tel: 86-755-8864-2200</p> <p>China - Suzhou Tel: 86-186-6233-1526</p> <p>China - Wuhan Tel: 86-27-5980-5300</p> <p>China - Xian Tel: 86-29-8833-7252</p> <p>China - Xiamen Tel: 86-592-2388138</p> <p>China - Zhuhai Tel: 86-756-3210040</p>	<p>India - Bangalore Tel: 91-80-3090-4444</p> <p>India - New Delhi Tel: 91-11-4160-8631</p> <p>India - Pune Tel: 91-20-4121-0141</p> <p>Japan - Osaka Tel: 81-6-6152-7160</p> <p>Japan - Tokyo Tel: 81-3-6880-3770</p> <p>Korea - Daegu Tel: 82-53-744-4301</p> <p>Korea - Seoul Tel: 82-2-554-7200</p> <p>Malaysia - Kuala Lumpur Tel: 60-3-7651-7906</p> <p>Malaysia - Penang Tel: 60-4-227-8870</p> <p>Philippines - Manila Tel: 63-2-634-9065</p> <p>Singapore Tel: 65-6334-8870</p> <p>Taiwan - Hsin Chu Tel: 886-3-577-8366</p> <p>Taiwan - Kaohsiung Tel: 886-7-213-7830</p> <p>Taiwan - Taipei Tel: 886-2-2508-8600</p> <p>Thailand - Bangkok Tel: 66-2-694-1351</p> <p>Vietnam - Ho Chi Minh Tel: 84-28-5448-2100</p>	<p>Austria - Wels Tel: 43-7242-2244-39 Fax: 43-7242-2244-393</p> <p>Denmark - Copenhagen Tel: 45-4485-5910 Fax: 45-4485-2829</p> <p>Finland - Espoo Tel: 358-9-4520-820</p> <p>France - Paris Tel: 33-1-69-53-63-20 Fax: 33-1-69-30-90-79</p> <p>Germany - Garching Tel: 49-8931-9700</p> <p>Germany - Haan Tel: 49-2129-3766400</p> <p>Germany - Heilbronn Tel: 49-7131-72400</p> <p>Germany - Karlsruhe Tel: 49-721-625370</p> <p>Germany - Munich Tel: 49-89-627-144-0 Fax: 49-89-627-144-44</p> <p>Germany - Rosenheim Tel: 49-8031-354-560</p> <p>Israel - Ra'anana Tel: 972-9-744-7705</p> <p>Italy - Milan Tel: 39-0331-742611 Fax: 39-0331-466781</p> <p>Italy - Padova Tel: 39-049-7625286</p> <p>Netherlands - Drunen Tel: 31-416-690399 Fax: 31-416-690340</p> <p>Norway - Trondheim Tel: 47-72884388</p> <p>Poland - Warsaw Tel: 48-22-3325737</p> <p>Romania - Bucharest Tel: 40-21-407-87-50</p> <p>Spain - Madrid Tel: 34-91-708-08-90 Fax: 34-91-708-08-91</p> <p>Sweden - Gothenberg Tel: 46-31-704-60-40</p> <p>Sweden - Stockholm Tel: 46-8-5090-4654</p> <p>UK - Wokingham Tel: 44-118-921-5800 Fax: 44-118-921-5820</p>