

Ratings

Voltage: 150 V
Temperature: -40~70 °C

Conductor

Conductor count: 4
Gauge: 32 AWG 0.04 mm²
Material: tinned copper strands
Strand size: $\varnothing 0.05 \times 19$
Resistance at 20 °C: 590 Ω /km max

Insulator

Material: HDPE
Color: yellow, white, black, red
Diameter: $\varnothing 0.55 \pm 0.10$ mm
Nominal thickness: 0.15 mm
Resistance at 20 °C: 100 M Ω /km min

Wrap

Material: cotton paper

Filler

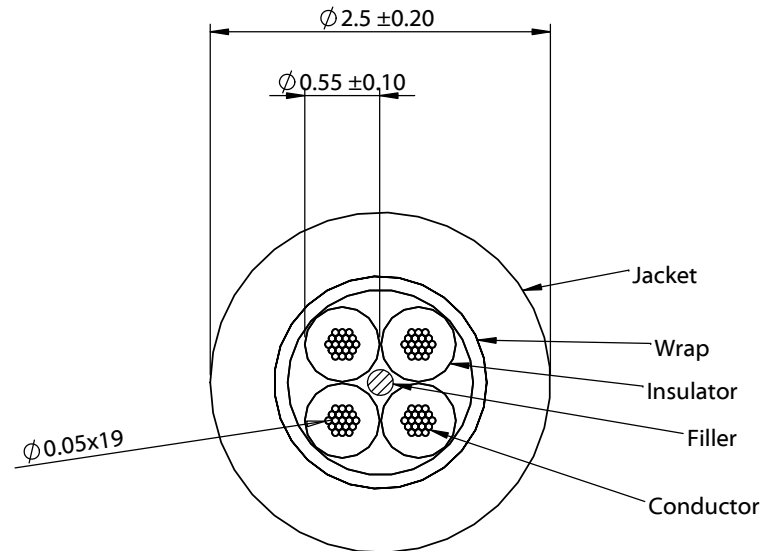
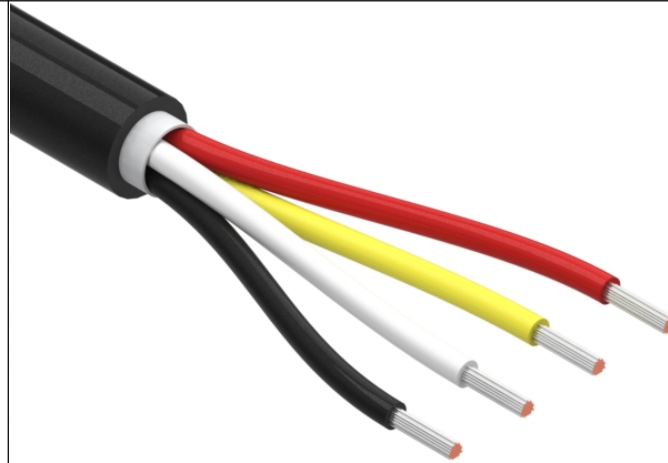
Material: aramid fiber

Outer jacket

Material: TPU
Color: black
Diameter: $\varnothing 2.5 \pm 0.20$ mm
Nominal thickness: 0.50 mm

Tests

Tensile strength: 15 kgf min
Dielectric test: 1500 V dc for 1 minute without breakdown
Bend test at 200 g, $\pm 60^\circ$, 30 cycles /min: 15,000 cycle minimum



Revision:	Date:	Description:
A	8/30/2022	Initial release

Prepared:
Verified:
Dimensions are in millimeters. Tolerances: X: ± 0.5 mm X.X: ± 0.3 mm X.XX: ± 0.05 mm

Notes: RoHS compliant Jacket meets ISO 10993 Biological Compatibility Phthalate and halogen free Function test: no open, no short, no intermittent
Description: Wire, 4C TS, 32 AWG, 150V, 70C, 2.5 mm, TPU, 75A, WBL

TENSILITY

tel 1.541.323.3228 800 877.670.7118
fax 1.541.323.4202 web tensility.com

Size: A	Part number: 30-02653	Scale: 18:1	Sheet 1 of 1
------------	--------------------------	-------------	--------------