

Ratings
 Voltage: 150 V
 Temperature: -40°C~70°C

Conductor
 Conductor count: 2
 Gauge: 24 AWG 0.21 mm²
 Material: tinned copper strands
 Strand size: $\varnothing 0.08 \times 41$
 Resistance at 20 °C: 95 Ω /km max

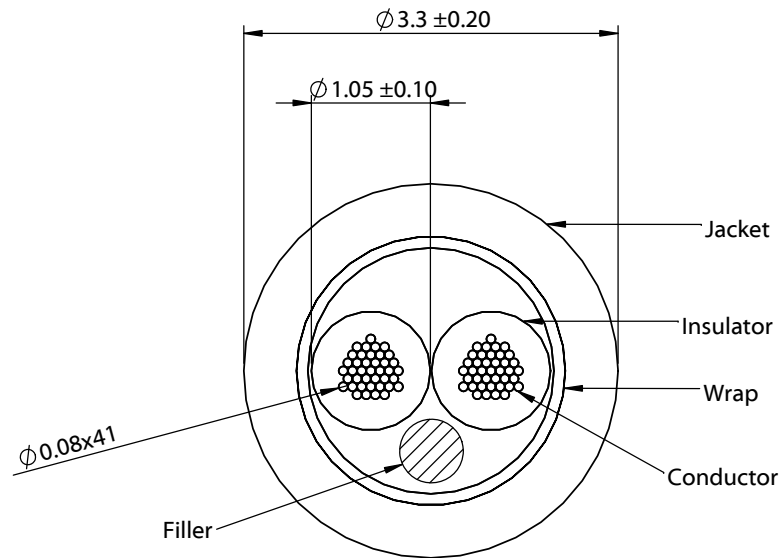
Insulator
 Material: HDPE
 Color: white, black
 Diameter: $\varnothing 1.05 \pm 0.10$ mm
 Nominal thickness: 0.22 mm
 Resistance at 20 °C: 100 M Ω /km min

Wrap:
 Material: cotton paper

Filler
 Material: aramid fiber

Outer jacket
 Material: TPU
 Color: black
 Diameter: $\varnothing 3.3 \pm 0.20$ mm
 Nominal thickness: 0.5 mm

Tests
 Tensile strength: 26 kgf min
 Dielectric test: 1500 Vdc for 1 minute without breakdown
 Bend test at 200g, $\pm 60^\circ$, 30 cycles/min: 15,000 cycle minimum



Revision:	Date:	Description:
A	08/30/2022	Initial release

Prepared:

Verified:

Dimensions are in millimeters.
 Tolerances:
 X: ± 0.5 mm
 X.X: ± 0.3 mm
 X.XX: ± 0.05 mm

Notes:

RoHS compliant
 Jacket meets ISO 10993 Biological Compatibility
 Phthalate and halogen free
 Function test: no open, no short, no intermittent

Description:
 Wire, 2C TS, 24 AWG, 150V, 70C, 3.3 mm, TPU, 75A, WBL

TENSILITY

tel 1.541.323.3228 800 877.670.7118
 fax 1.541.323.4202 web tensility.com

Size: A Part number: 30-02633

Scale: 15:1 Sheet 1 of 1