

**Ratings**

Voltage: 150 V  
 Temperature: -40°C~70°C

**Conductor**

Conductor count: 2  
 Gauge: 20 AWG 0.51 mm<sup>2</sup>  
 Material: tinned copper strands  
 Strand size:  $\varnothing 0.1 \times 65$   
 Resistance at 20 °C: 36.7  $\Omega$  /km max

**Insulator**

Material: HDPE  
 Color: white, black  
 Diameter:  $\varnothing 1.45 \pm 0.10$  mm  
 Nominal thickness: 0.24 mm  
 Resistance at 20 °C: 100 M $\Omega$  /km min

**Wrap**

Material: cotton paper

**Filler**

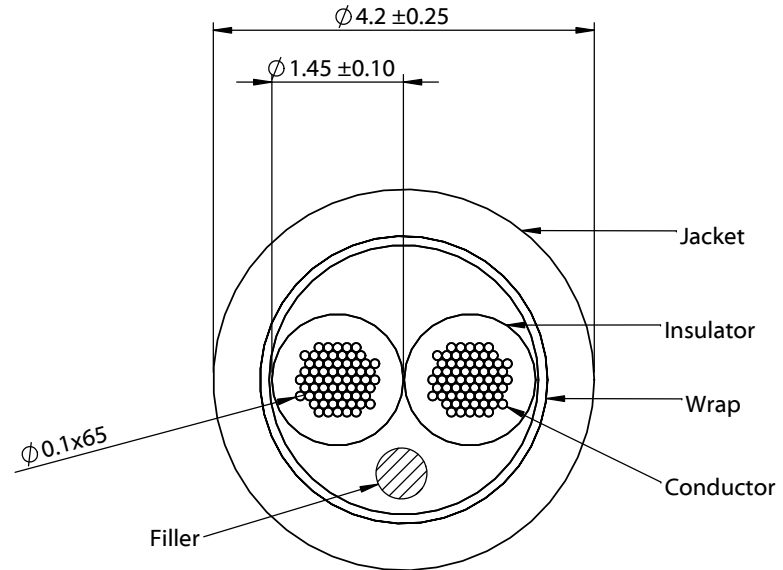
Material: aramid fiber

**Outer jacket**

Material: TPU  
 Color: black  
 Diameter:  $\varnothing 4.2 \pm 0.25$  mm  
 Nominal thickness: 0.6 mm

**Tests**

Tensile strength: 26 kgf min  
 Dielectric test: 1500 V dc for 1 minute without breakdown  
 Bend test at 200g,  $\pm 60^\circ$ , 30 cycles/min: 15,000 cycle minimum



Revision:	Date:	Description:
A	08/30/2022	Initial release

Prepared:
Verified:
Dimensions are in millimeters. Tolerances: X: $\pm 0.5$ mm X.X: $\pm 0.3$ mm X.XX: $\pm 0.05$ mm

Notes: RoHS compliant Jacket meets ISO 10993 Biological Compatibility Phthalate and halogen free Function test: no open, no short, no intermittent
Description: Wire, 2C TS, 20 AWG, 150V, 70C, 4.2 mm, TPU, 75A, WBL

**TENSILITY**  
 tel 1.541.323.3228 800 877.670.7118  
 fax 1.541.323.4202 web tensility.com

Size: A	Part number: 30-02631	Scale: 12:1		Sheet 1 of 1
------------	--------------------------	-------------	--	--------------

To see a custom version of this cable assembly, call Tensility at 541-323-3228 or email engineering@tensility.com