

700V 0.52Ω Super Junction Power MOSFET

Description

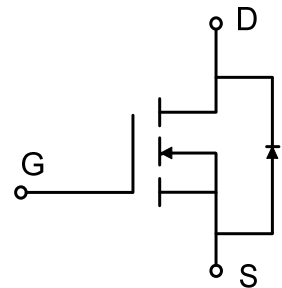
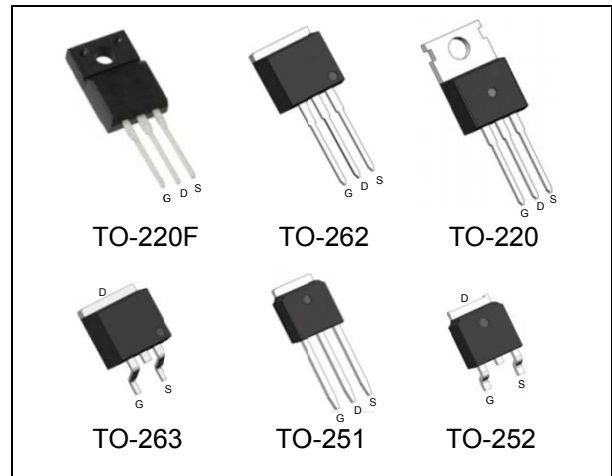
WMOS™ C4 is Wayon's 4th generation super junction MOSFET family that is utilizing charge balance technology for extremely low on-resistance and low gate charge performance. WMOS™ C4 is suitable for applications which require superior power density and outstanding efficiency.

Features

- $V_{DS} = 750V @ T_{j,max}$
- Typ. $R_{DS(on)} = 0.52\Omega$
- 100% UIS tested
- Pb-free plating, Halogen free

Applications

LED Lighting, Charger, Adapter, PC, LCD TV, Server



Absolute Maximum Ratings

| Parameter | Symbol | WMK/WMM/WMN/WMP/WMO | WML | Unit |
|---|------------------|---------------------|------|---------------|
| Drain-source voltage | V_{DSS} | 700 | | V |
| Continuous drain current ¹⁾ ($T_C = 25^\circ C$) ($T_C = 100^\circ C$) | I_D | 8 | | A |
| | | 4.8 | | A |
| Pulsed drain current ²⁾ | I_{DM} | 19 | | A |
| Gate-source voltage | V_{GS} | ± 30 | | V |
| Avalanche energy, single pulse ³⁾ | E_{AS} | 45 | | mJ |
| Avalanche energy, repetitive ²⁾ | E_{AR} | 0.15 | | mJ |
| Avalanche current, repetitive ²⁾ | I_{AR} | 1.0 | | A |
| Power dissipation ($T_C = 25^\circ C$) - Derate above $25^\circ C$ | P_D | 57 | 27 | W |
| | | 0.46 | 0.22 | W/ $^\circ C$ |
| Operating and storage temperature range | T_{j}, T_{stg} | -55 to +150 | | $^\circ C$ |
| Continuous diode forward current | I_S | 8 | | A |
| Diode pulse current | $I_{S,pulse}$ | 19 | | A |

Thermal Characteristics

| Parameter | Symbol | WMK/WMM/WMN/WMP/WMO | WML | Unit |
|---|-----------------|---------------------|-----|--------------|
| Thermal resistance, junction-to-case | $R_{\theta JC}$ | 2.2 | 4.6 | $^\circ C/W$ |
| Thermal resistance, junction-to-ambient | $R_{\theta JA}$ | 62 | 80 | $^\circ C/W$ |

Electrical Characteristics $T_c = 25^\circ\text{C}$, unless otherwise noted

| Parameter | Symbol | Test Condition | Min. | Typ. | Max. | Unit |
|--------------------------------------|---------------|---|------|------|------|---------------|
| Static characteristics | | | | | | |
| Drain-source breakdown voltage | BV_{DSS} | $V_{GS}=0\text{ V}, I_D=1\text{ mA}$ | 700 | - | - | V |
| Gate threshold voltage | $V_{GS(th)}$ | $V_{DS}=V_{GS}, I_D=0.25\text{mA}$ | 2 | 3 | 4 | V |
| Drain cut-off current | I_{DSS} | $V_{DS}=700\text{ V}, V_{GS}=0\text{V},$ $T_j = 25^\circ\text{C}$ $T_j = 125^\circ\text{C}$ | - | - | 1 | μA |
| Gate leakage current, forward | I_{GSSF} | $V_{GS}=20\text{V}, V_{DS}=0\text{V}$ | - | - | 100 | nA |
| Gate leakage current, reverse | I_{GSSR} | $V_{GS}=-20\text{V}, V_{DS}=0\text{V}$ | - | - | -100 | nA |
| Drain-source on-state resistance | $R_{DS(on)}$ | $V_{GS}=10\text{ V}, I_D=1\text{ A}$ $T_j = 25^\circ\text{C}$ | - | 0.52 | 0.6 | Ω |
| Dynamic characteristics | | | | | | |
| Input capacitance | C_{iss} | $V_{DS}= 100\text{V}, V_{GS}= 0\text{V},$ | - | 415 | - | pF |
| Output capacitance | C_{oss} | $f = 1\text{ MHz}$ | - | 19 | - | |
| Reverse transfer capacitance | C_{rss} | | - | 0.95 | - | |
| Turn-on delay time | $t_{d(on)}$ | $V_{DD} = 300\text{V}, I_D = 2\text{A}$ | - | 12 | - | ns |
| Rise time | t_r | $R_G = 25\Omega, V_{GS}=10\text{V}$ | - | 10 | - | |
| Turn-off delay time | $t_{d(off)}$ | | - | 62 | - | |
| Fall time | t_f | | - | 13 | - | |
| Gate charge characteristics | | | | | | |
| Gate to source charge | Q_{gs} | $V_{DD}=480\text{V}, I_D=2\text{A},$ | - | 1.7 | - | nC |
| Gate to drain charge | Q_{gd} | $V_{GS}=0\text{ to }10\text{V}$ | - | 3.5 | - | |
| Gate charge total | Q_g | | - | 9.6 | - | |
| Gate plateau voltage | $V_{plateau}$ | | - | 5.2 | - | V |
| Reverse diode characteristics | | | | | | |
| Diode forward voltage | V_{SD} | $V_{GS}=0\text{ V}, I_F=1.5\text{A}$ | - | - | 1.2 | V |
| Reverse recovery time | t_{rr} | $V_R=50\text{V}, I_F=2\text{A},$ | - | 105 | - | ns |
| Reverse recovery charge | Q_{rr} | $di_F/dt=100\text{A}/\mu\text{s}$ | - | 0.6 | - | μC |
| Peak reverse recovery current | I_{rrm} | | - | 11.3 | - | A |

Notes:

- Limited by $T_{j\text{max}}$. Maximum duty cycle $D=0.5$.
- Repetitive rating: pulse width limited by maximum junction temperature.
- $I_{AS} = 1.0\text{ A}, V_{DD} = 50\text{V}, R_G = 25\Omega$, starting $T_j = 25^\circ\text{C}$.

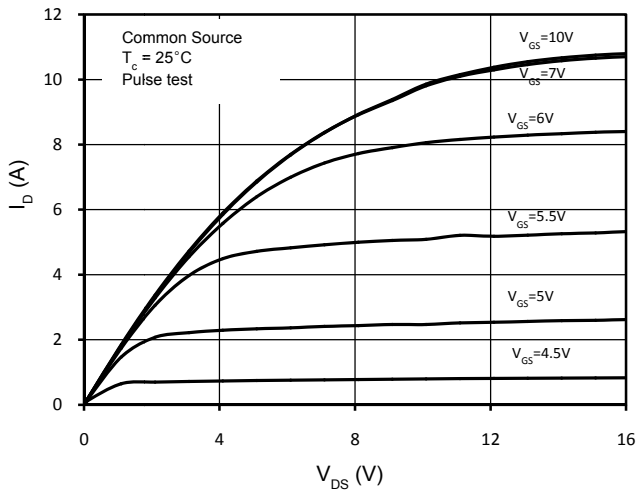


Figure 1. On-Region Characteristics

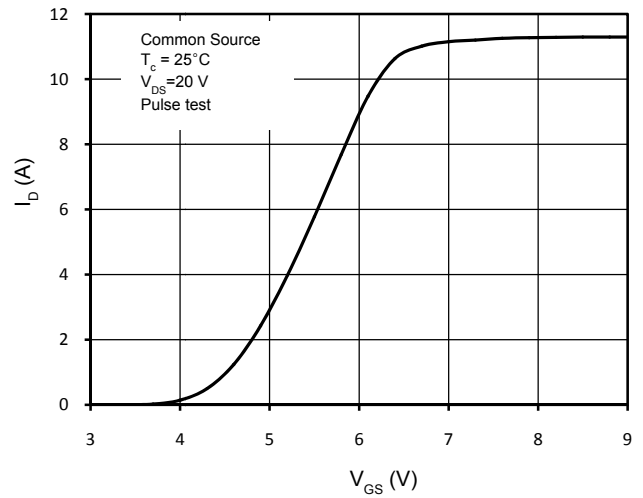


Figure 2. Transfer Characteristics

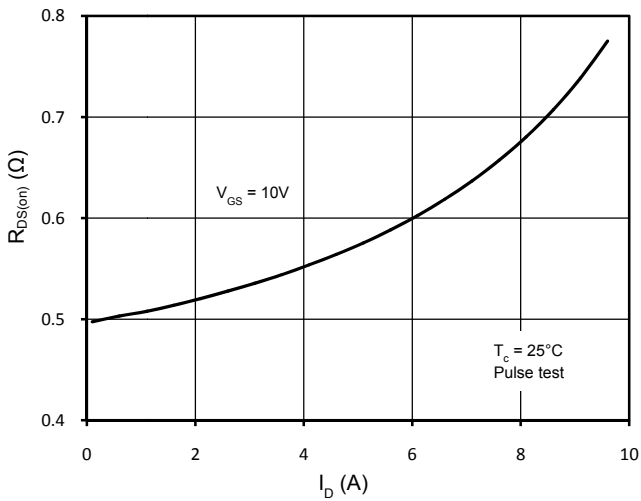


Figure 3. Static Drain-Source On Resistance

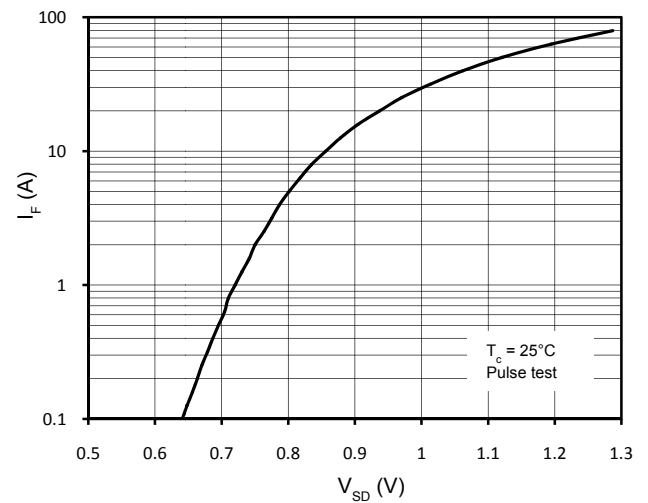


Figure 4. Body-Diode Forward Characteristics

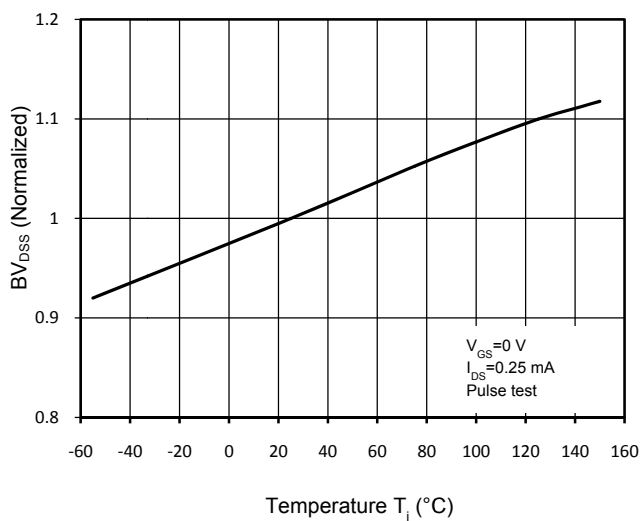


Figure 5. Normalized $BV_{DS(s)}$ vs. Temperature

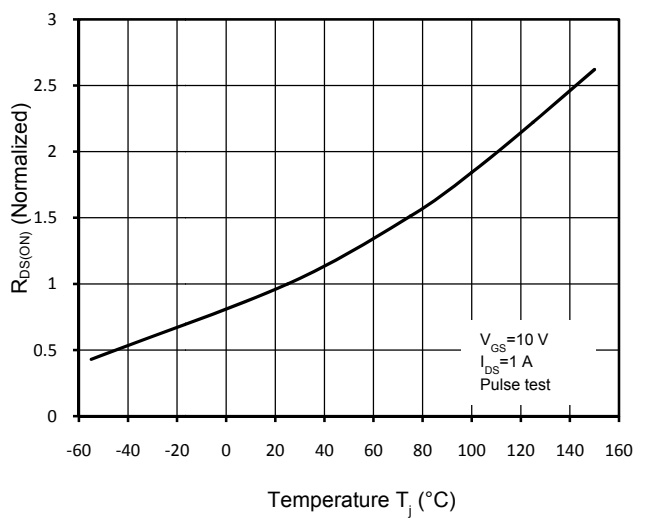


Figure 6. Normalized $R_{DS(on)}$ vs. Temperature

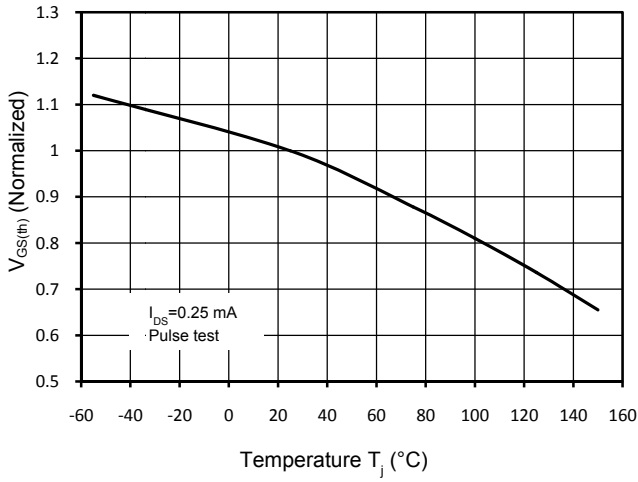


Figure 7. Threshold Voltage vs. Temperature

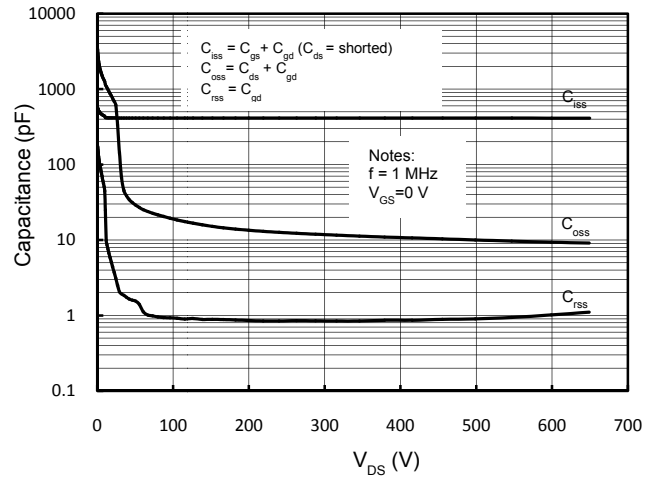


Figure 8. Capacitance Characteristics

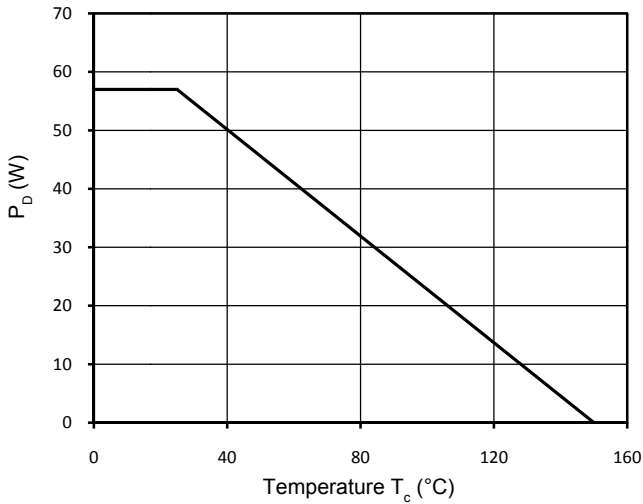


Figure 9. Power Dissipation

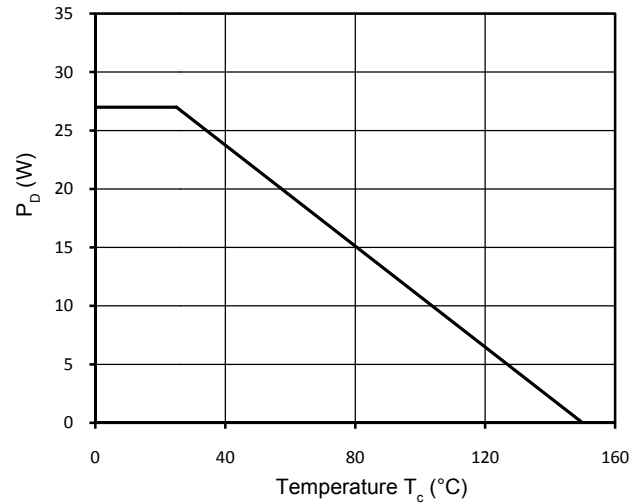


Figure 10. Power Dissipation (TO-220F)

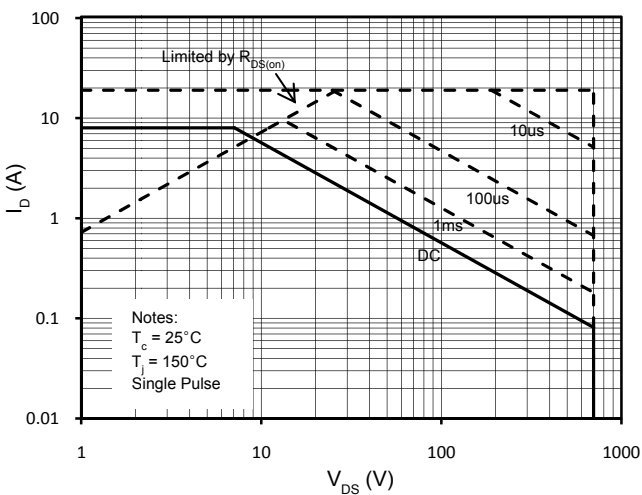


Figure 11. Maximum Safe Operating Area

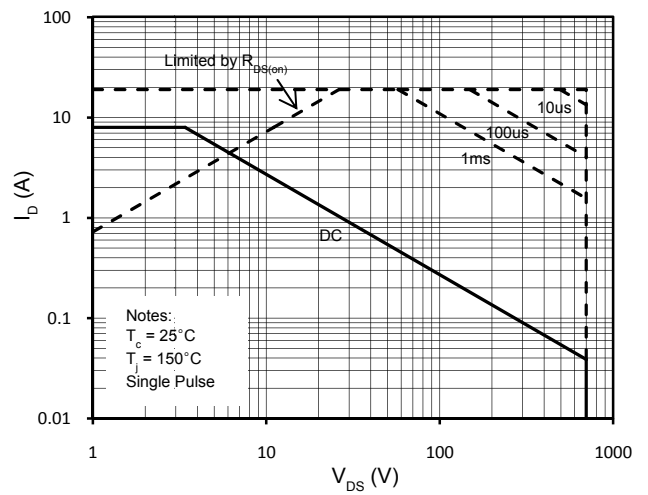


Figure 12. Maximum Safe Operating Area (TO-220F)

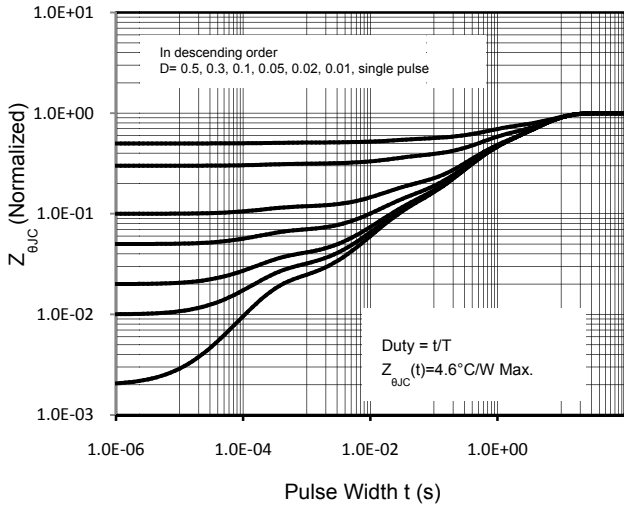


Figure 13. Transient Thermal Response Curve (TO-220F)

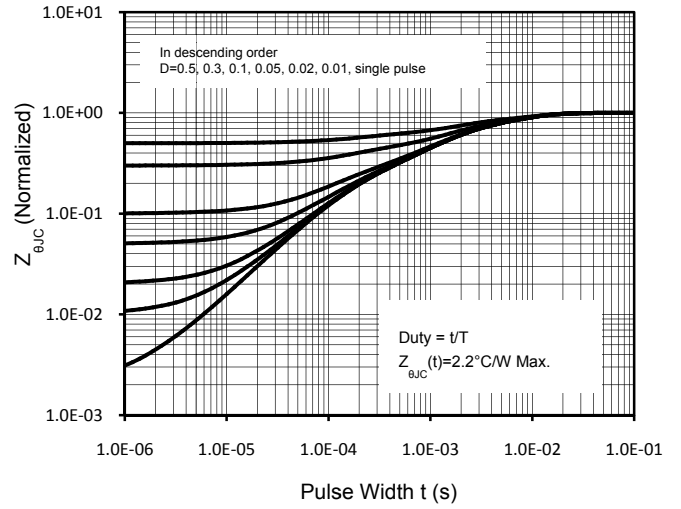


Figure 14. Transient Thermal Response Curve

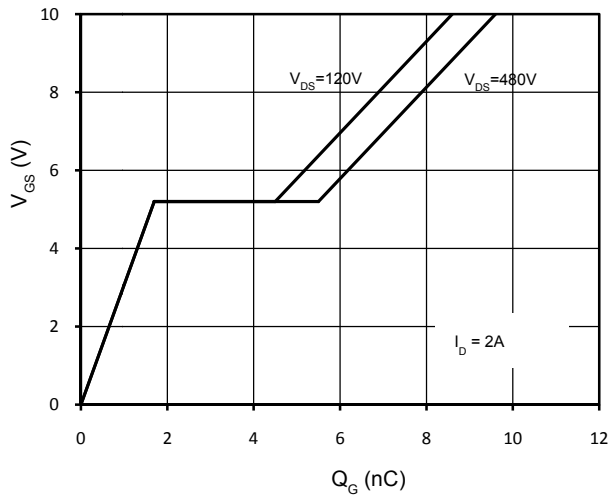
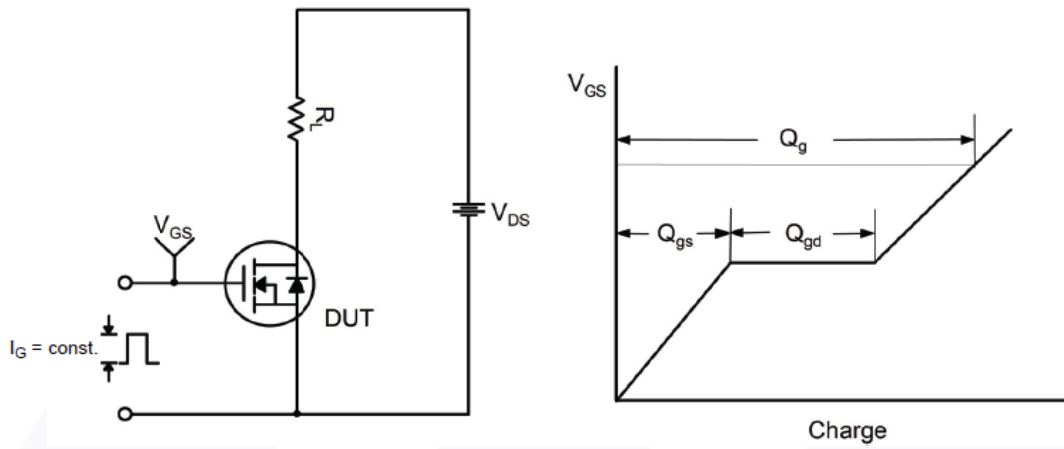
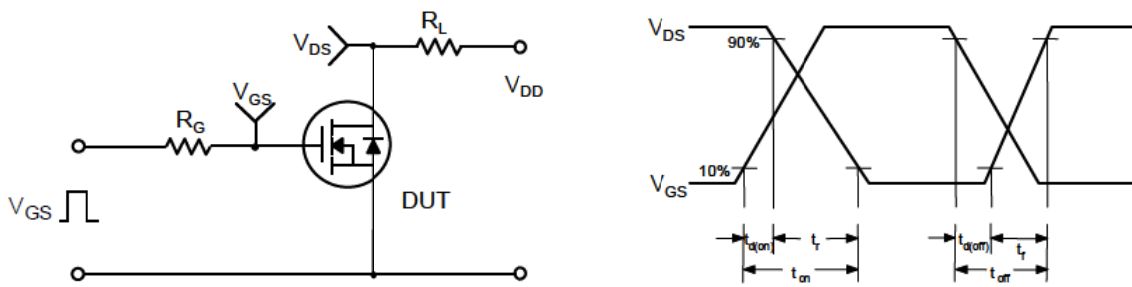


Figure 15. Gate Charge Characteristics

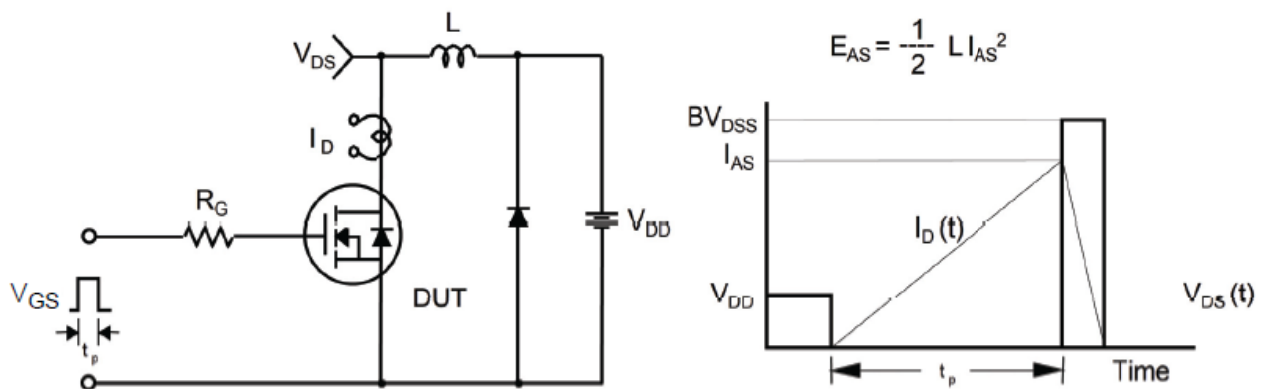
Gate Charge Test Circuit & Waveform



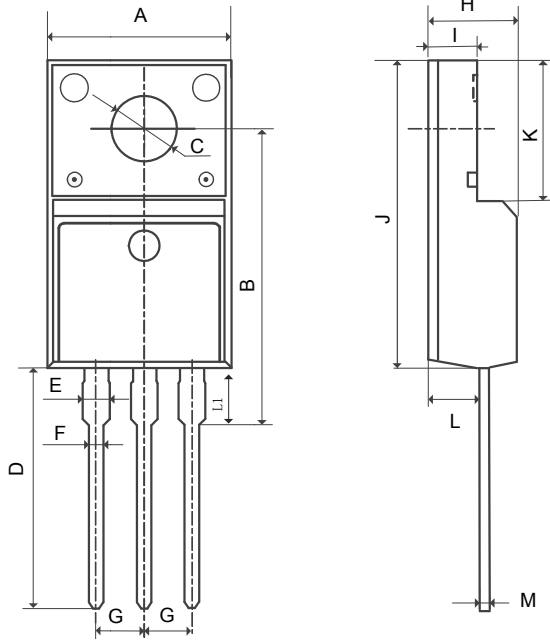
Switching Test Circuit & Waveforms



Unclamped Inductive Switching Test Circuit & Waveforms



Mechanical Dimensions for TO-220F

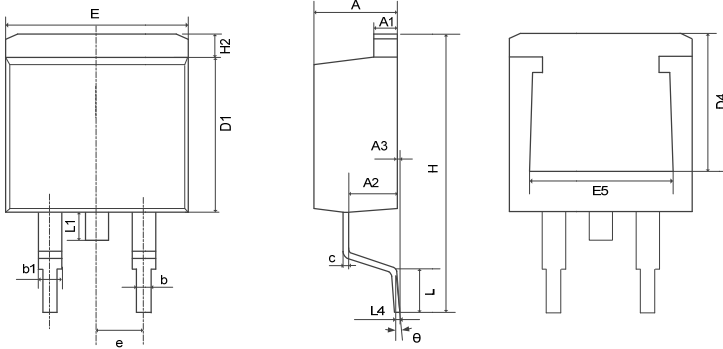


COMMON DIMENSIONS

| SYMBOL | MM | |
|--------|---------|-------|
| | MIN | MAX |
| A | 9.96 | 10.36 |
| B | 15.10 | 16.10 |
| C | 3.03 | 3.38 |
| D | 12.64 | 13.28 |
| E | 1.18 | 1.58 |
| F | 0.70 | 0.95 |
| G | 2.54REF | |
| H | 4.50 | 4.90 |
| I | 2.34 | 2.74 |
| J | 15.57 | 16.17 |
| K | 6.70REF | |
| L | 2.56 | 2.96 |
| M | 0.40 | 0.65 |
| L1 | 2.85 | 3.45 |

Mechanical Dimensions for TO-263

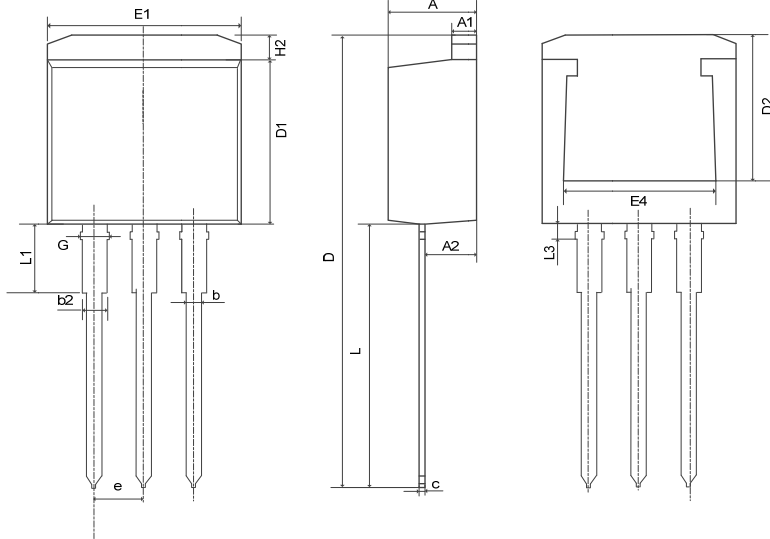
COMMON DIMENSIONS



| SYMBOL | MM | |
|--------|---------|-------|
| | MIN | MAX |
| A | 4.37 | 4.89 |
| A1 | 1.17 | 1.42 |
| A2 | 2.49 | 2.89 |
| b | 0.70 | 0.96 |
| b1 | 1.17 | 1.47 |
| c | 0.30 | 0.53 |
| D1 | 8.45 | 8.90 |
| D4 | 6.60 | — |
| E | 9.86 | 10.40 |
| E5 | 7.06 | — |
| e | 2.54BSC | |
| H | 14.70 | 15.50 |
| H2 | 1.07 | 1.47 |
| L | 2.00 | 2.70 |
| L1 | 1.40 | 1.70 |
| L4 | 0.25BSC | |
| θ | 0° | 9° |

Mechanical Dimensions for TO-262

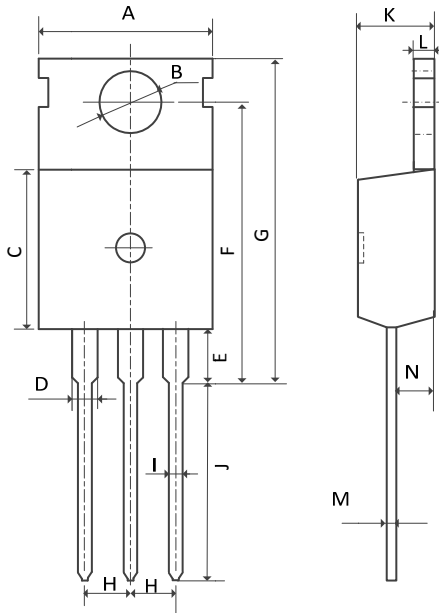
COMMON DIMENSIONS



| SYMBOL | MM | |
|--------|---------|-------|
| | MIN | MAX |
| A | 4.37 | 4.90 |
| A1 | 1.17 | 1.42 |
| A2 | 2.49 | 2.89 |
| b | 0.71 | 0.96 |
| b2 | 1.07 | 1.47 |
| c | 0.28 | 0.53 |
| D | 23.20 | 24.02 |
| D1 | 8.45 | 8.90 |
| D2 | 6.00 | — |
| E1 | 9.86 | 10.40 |
| E4 | 7.06 | — |
| e | 2.54BSC | |
| G | 1.25 | 1.50 |
| H2 | — | 1.50 |
| L | 13.33 | 14.16 |
| L1 | 3.50 | 4.00 |
| L3 | 1.28 | 1.58 |

Mechanical Dimensions for TO-220

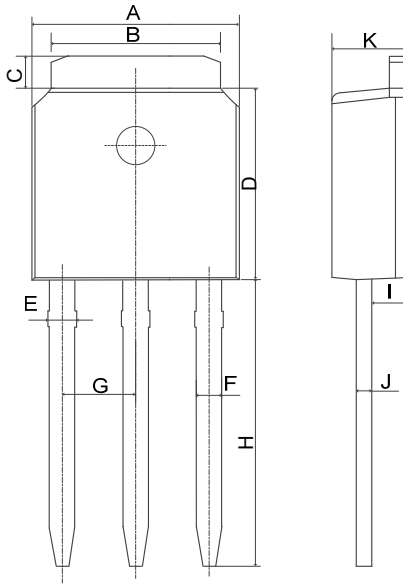
COMMON DIMENSIONS



| SYMBOL | MM | |
|--------|----------|-------|
| | MIN | MAX |
| A | 9.70 | 10.20 |
| B | 3.40 | 3.80 |
| C | 8.90 | 9.40 |
| D | 1.17 | 1.47 |
| E | 2.60 | 3.40 |
| F | 15.10 | 16.70 |
| G | 19.55MAX | |
| H | 2.54REF | |
| I | 0.70 | 0.95 |
| J | 9.35 | 11.00 |
| K | 4.30 | 4.77 |
| L | 1.20 | 1.45 |
| M | 0.40 | 0.65 |
| N | 2.20 | 2.60 |

Mechanical Dimensions for TO-251

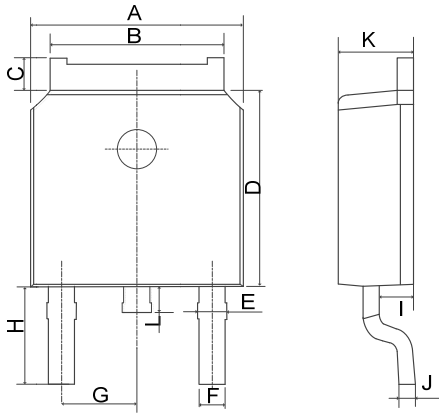
COMMON DIMENSIONS



| SYMBOL | MM | |
|--------|---------|------|
| | MIN | MAX |
| A | 6.40 | 6.80 |
| B | 5.13 | 5.50 |
| C | 0.88 | 1.28 |
| D | 5.90 | 6.22 |
| E | 0.68 | 1.10 |
| F | 0.68 | 0.91 |
| G | 2.29REF | |
| H | 9.00 | 9.65 |
| I | 0.85 | 1.17 |
| J | 0.40 | 0.61 |
| K | 2.10 | 2.50 |

Mechanical Dimensions for TO-252

COMMON DIMENSIONS

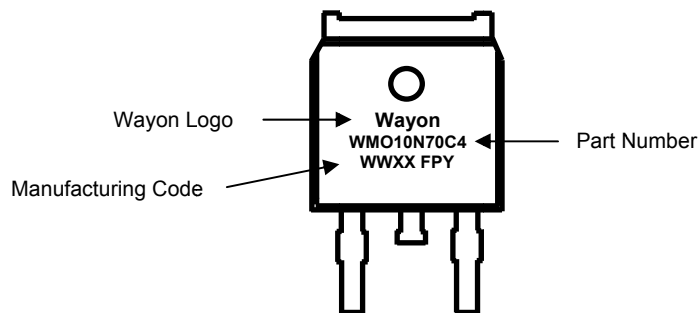


| SYMBOL | MM | |
|--------|---------|------|
| | MIN | MAX |
| A | 6.40 | 6.80 |
| B | 5.13 | 5.50 |
| C | 0.88 | 1.28 |
| D | 5.90 | 6.22 |
| E | 0.68 | 1.10 |
| F | 0.68 | 0.91 |
| G | 2.29REF | |
| H | 2.90REF | |
| I | 0.85 | 1.17 |
| J | 0.51REF | |
| K | 2.10 | 2.50 |
| L | 0.40 | 1.00 |

Ordering Information

| Part | Package | Marking | Packing method |
|------------|---------|------------|----------------|
| WML10N70C4 | TO-220F | WML10N70C4 | Tube |
| WMK10N70C4 | TO-220 | WMK10N70C4 | Tube |
| WMN10N70C4 | TO-262 | WMN10N70C4 | Tube |
| WMM10N70C4 | TO-263 | WMM10N70C4 | Tape and Reel |
| WMO10N70C4 | TO-252 | WMO10N70C4 | Tape and Reel |
| WMP10N70C4 | TO-251 | WMP10N70C4 | Tube |

Marking Information




Contact Information

No.1001, Shiwan(7) Road, Pudong District, Shanghai, P.R.China.201202

Tel: 86-21-50310888 Fax: 86-21-50757680 Email: market@way-on.com

WAYON website: <http://www.way-on.com>

For additional information, please contact your local Sales Representative.

 is registered trademarks of Wayon Corporation.

Disclaimer

WAYON reserves the right to make changes without further notice to any Products herein to improve reliability, function, or design. The Products are not designed for use in hostile environments, including, without limitation, aircraft, nuclear power generation, medical appliances, and devices or systems in which malfunction of any Product can reasonably be expected to result in a personal injury. The information given in this document shall in no event be regarded as a guarantee of conditions or characteristics. WAYON does not assume any liability for infringement of patents, copyrights, or other intellectual property rights of third parties by or arising from the use of Products or technical information described in this document.