



10NM80

Power MOSFET

10A, 800V N-CHANNEL SUPER-JUNCTION MOSFET

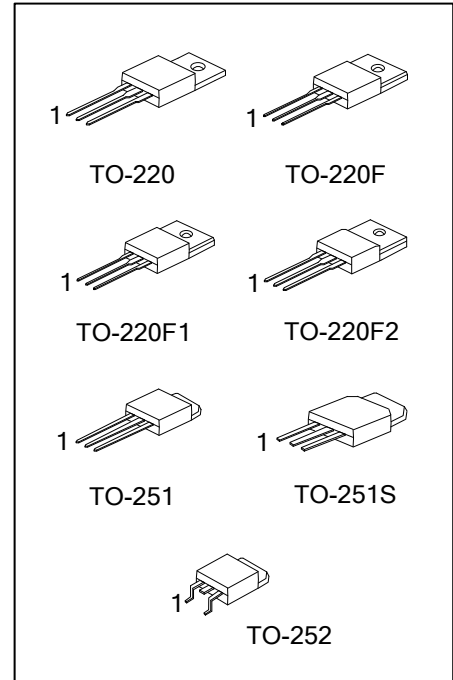
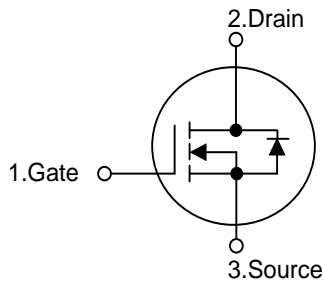
DESCRIPTION

The UTC 10NM80 is a Super Junction MOSFET Structure and is designed to have better characteristics, such as fast switching time, low gate charge, low on-state resistance and a high rugged avalanche characteristics. This power MOSFET is usually used at AC-DC converters for power applications.

FEATURES

- * $R_{DS(ON)} \leq 0.6 \Omega$ @ $V_{GS}=10V, I_D=5.0A$
- * By using Super Junction Structure
- * Fast Switching
- * With 100% Avalanche Tested

SYMBOL



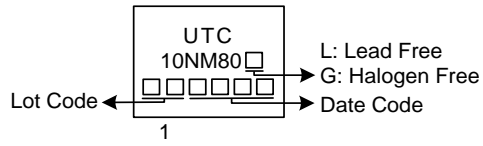
ORDERING INFORMATION

Ordering Number		Package	Pin Assignment			Packing
Lead Free	Halogen Free		1	2	3	
10NM80L-TA3-T	10NM80G-TA3-T	TO-220	G	D	S	Tube
10NM80L-TF3-T	10NM80G-TF3-T	TO-220F	G	D	S	Tube
10NM80L-TF1-T	10NM80G-TF1-T	TO-220F1	G	D	S	Tube
10NM80L-TF2-T	10NM80G-TF2-T	TO-220F2	G	D	S	Tube
10NM80L-TM3-T	10NM80G-TM3-T	TO-251	G	D	S	Tube
10NM80L-TMS-T	10NM80G-TMS-T	TO-251S	G	D	S	Tube
10NM80L-TN3-R	10NM80G-TN3-R	TO-252	G	D	S	Tape Reel

Note: Pin Assignment: G: Gate D: Drain S: Source

<p>10NM80G-TA3-T</p> <p>(1)Packing Type (2)Package Type (3)Green Package</p>	<p>(1) T: Tube, R: Tape Reel (2) TA3: TO-220, TF1: TO-220F1, TF2: TO-220F2 TF3: TO-220F, TM3: TO-251, TMS: TO-251S, TN3: TO-252 (3) G: Halogen Free and Lead Free, L: Lead Free</p>
--	---

MARKING



■ ABSOLUTE MAXIMUM RATINGS (T_C = 25°C, unless otherwise specified)

PARAMETER		SYMBOL	RATINGS	UNIT
Drain-Source Voltage		V _{DSS}	800	V
Gate-Source Voltage		V _{GSS}	±30	V
Drain Current	Continuous	I _D	10	A
	Pulsed (Note 2)	I _{DM}	40	A
Avalanche Current (Note 2)		I _{AR}	3.0	A
Avalanche Energy	Single Pulsed (Note 3)	E _{AS}	715	mJ
Peak Diode Recovery dv/dt (Note 4)		dv/dt	3.29	V/ns
Power Dissipation	TO-220	P _D	80	W
	TO-220F/TO-220F1		29	W
	TO-220F2			
	TO-251/TO-251S TO-252		68	W
Junction Temperature		T _J	+150	°C
Storage Temperature		T _{STG}	-55 ~ +150	°C

Notes: 1. Absolute maximum ratings are those values beyond which the device could be permanently damaged.

Absolute maximum ratings are stress ratings only and functional device operation is not implied.

2. Repetitive Rating: Pulse width limited by maximum junction temperature.

3. L=159mH, I_{AS}=3.0A, V_{DD}=50V, R_G=25 Ω, Starting T_J = 25°C

4. I_{SD}≤10A, di/dt≤200A/μs, V_{DD} ≤ BV_{DSS}, Starting T_J = 25°C

■ THERMAL DATA

PARAMETER		SYMBOL	RATING	UNIT
Junction to Ambient	TO-220/TO-220F	θ _{JA}	62.5	°C/W
	TO-220F1/TO-220F2			
	TO-251/TO-251S		110	°C/W
	TO-252			
Junction to Case	TO-220	θ _{JC}	1.56	°C/W
	TO-220F/TO-220F1		4.31	°C/W
	TO-220F2			
	TO-251/TO-251S TO-252		1.84 (Note)	°C/W

Note: Device mounted on FR-4 substrate P_C board, 2oz copper, with 1inch square copper plate.

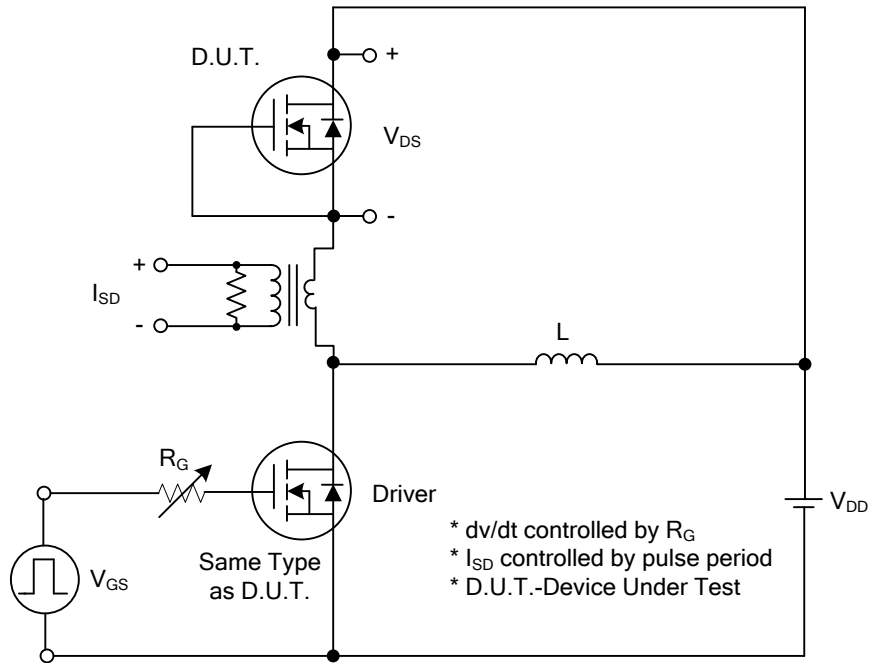
■ **ELECTRICAL CHARACTERISTICS** ($T_J=25^{\circ}\text{C}$, unless otherwise specified)

PARAMETER	SYMBOL	TEST CONDITIONS	MIN	TYP	MAX	UNIT
OFF CHARACTERISTICS						
Drain-Source Leakage Current	I_{DSS}	$V_{DS}=800\text{V}, V_{GS}=0\text{V}$			10	μA
Gate-Source Leakage Current	I_{GSS}	$V_{DS}=0\text{V}, V_{GS}=\pm 30\text{V}$			± 100	nA
ON CHARACTERISTICS						
Gate Threshold Voltage	$V_{GS(TH)}$	$V_{DS}=V_{GS}, I_D=250\mu\text{A}$	2.5		4.5	V
Drain-Source On-State Resistance	$R_{DS(ON)}$	$V_{GS}=10\text{V}, I_D=5.0\text{A}$			0.6	Ω
DYNAMIC PARAMETERS						
Input Capacitance	C_{ISS}	$V_{GS}=0\text{V}, V_{DS}=25\text{V}, f=1.0\text{MHz}$		930		pF
Output Capacitance	C_{OSS}			440		pF
Reverse Transfer Capacitance	C_{RSS}			16		pF
SWITCHING PARAMETERS						
Total Gate Charge (Note 1)	Q_G	$V_{DS}=640\text{V}, V_{GS}=10\text{V}, I_D=10\text{A}, I_G=1\text{mA}$ (Note 1, 2)		36		nC
Gate to Source Charge	Q_{GS}			6		nC
Gate to Drain Charge	Q_{GD}			12		nC
Turn-ON Delay Time (Note 1)	$t_{D(ON)}$	$V_{DD}=100\text{V}, V_{GS}=10\text{V}, I_D=10\text{A}, R_G=25\Omega$ (Note 1, 2)		12		ns
Rise Time	t_R			22		ns
Turn-OFF Delay Time	$t_{D(OFF)}$			106		ns
Fall-Time	t_F			40		ns
SOURCE- DRAIN DIODE RATINGS AND CHARACTERISTICS						
Maximum Body-Diode Continuous Current	I_S				10	A
Maximum Body-Diode Pulsed Current	I_{SM}				40	A
Drain-Source Diode Forward Voltage (Note 1)	V_{SD}	$I_S=15\text{A}, V_{GS}=0\text{V}$			1.4	V
Body Diode Reverse Recovery Time (Note 1)	t_{rr}	$I_S=3.0\text{A}, V_{GS}=0\text{V}$ $dI_F/dt=100\text{A}/\mu\text{s}$		455		ns
Body Diode Reverse Recovery Charge	Q_{rr}				6.4	

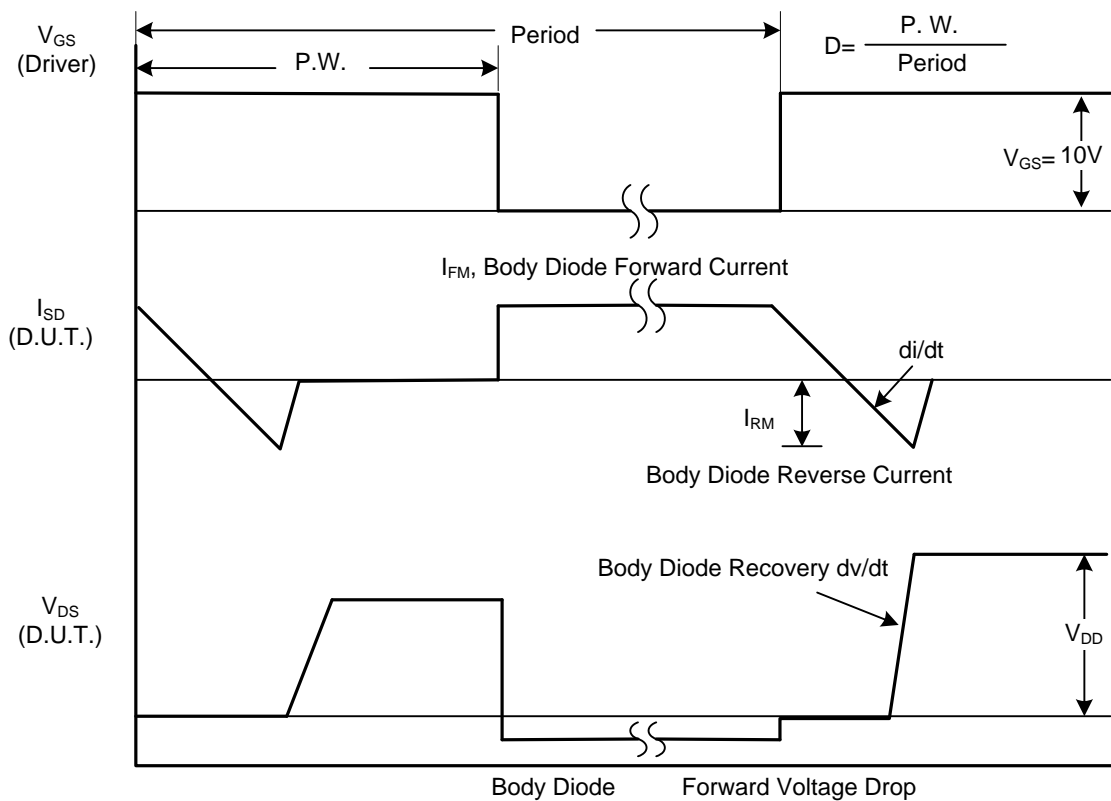
Notes: 1. Pulse Test : Pulse width $\leq 300\mu\text{s}$, Duty cycle $\leq 2\%$.

2. Essentially independent of operating temperature.

TEST CIRCUITS AND WAVEFORMS

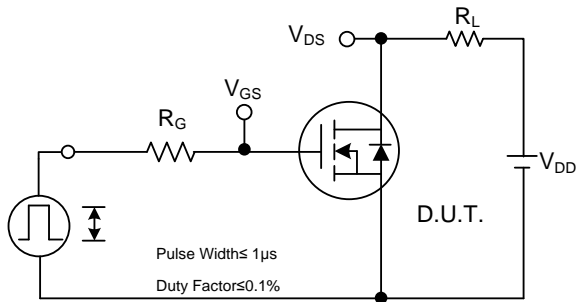


Peak Diode Recovery dv/dt Test Circuit

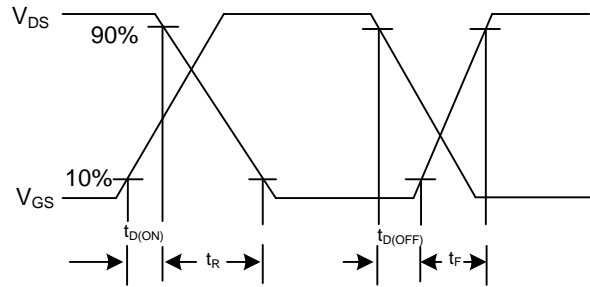


Peak Diode Recovery dv/dt Waveforms

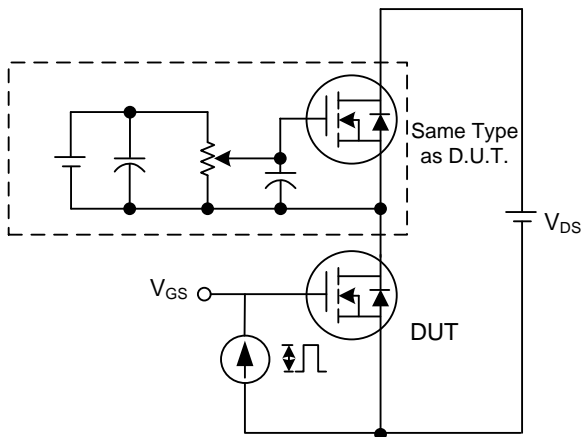
■ TEST CIRCUITS AND WAVEFORMS



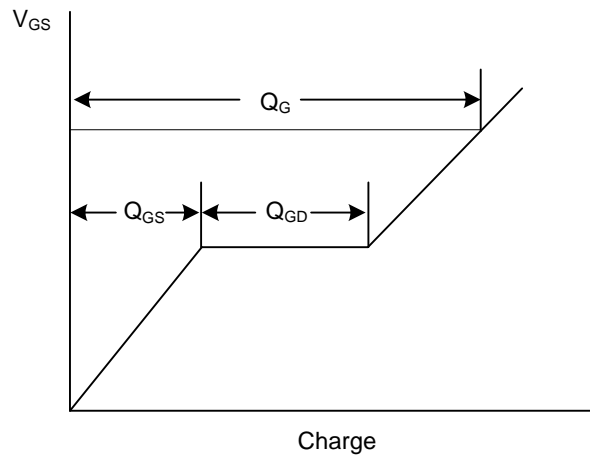
Switching Test Circuit



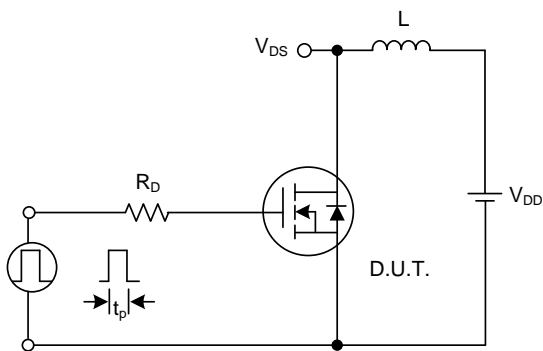
Switching Waveforms



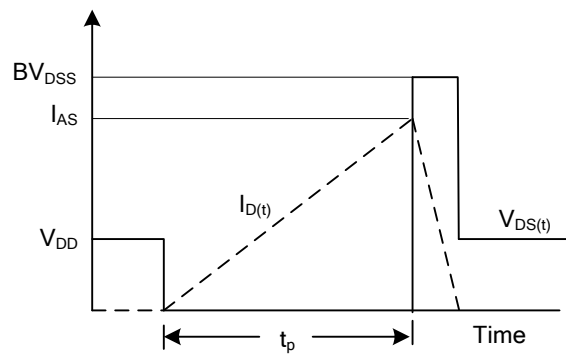
Gate Charge Test Circuit



Gate Charge Waveform

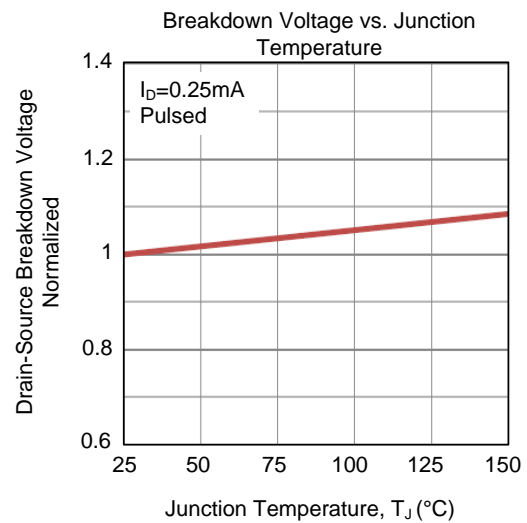
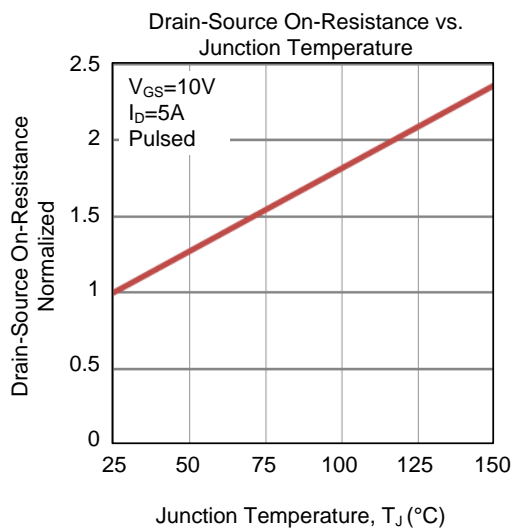
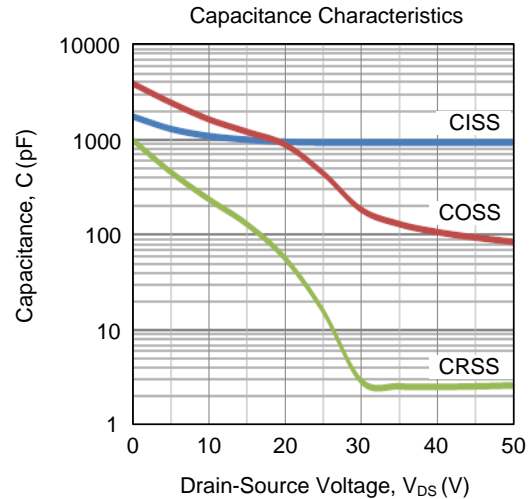
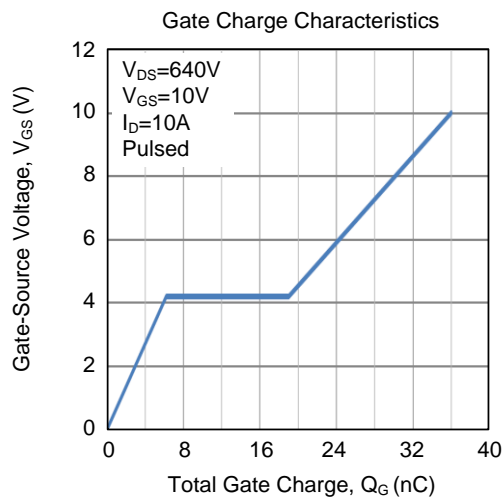
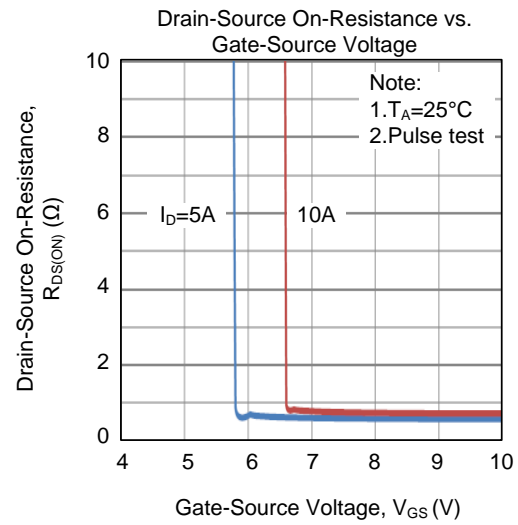
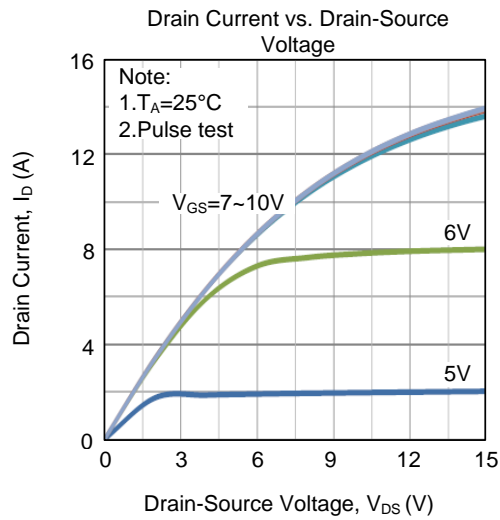


Unclamped Inductive Switching Test Circuit

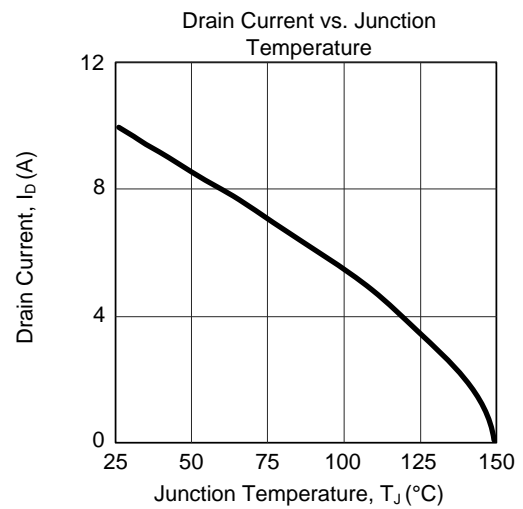
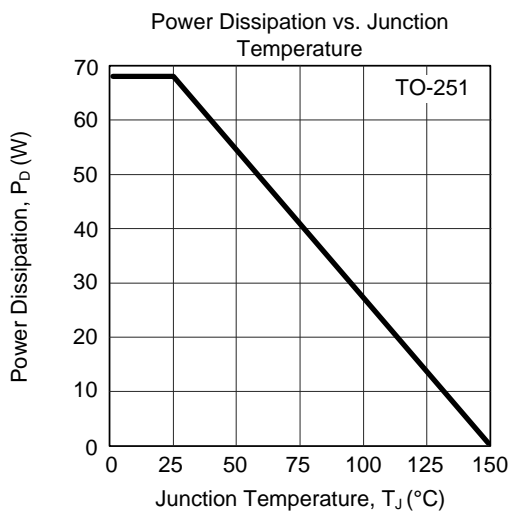
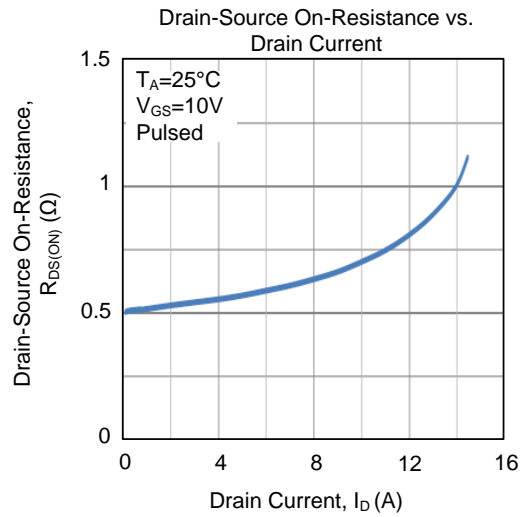
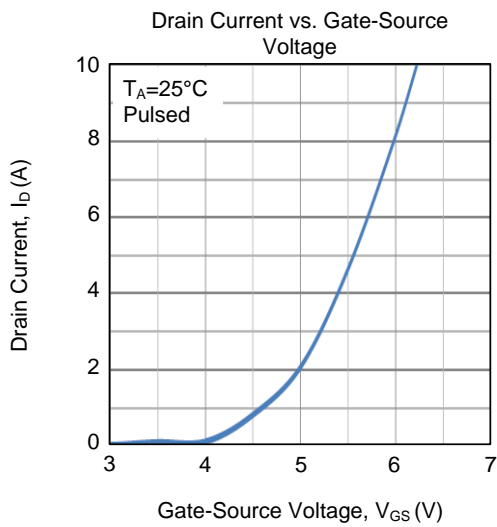
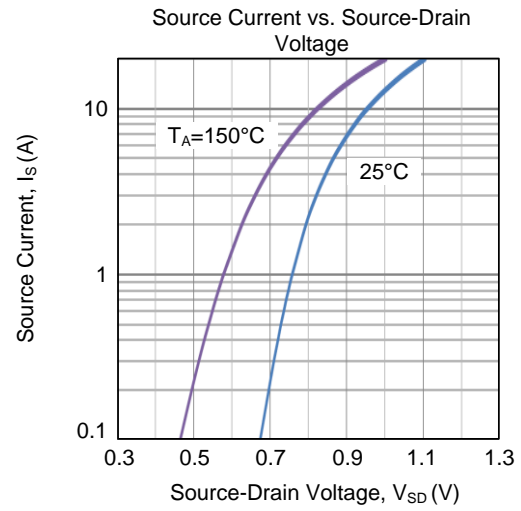
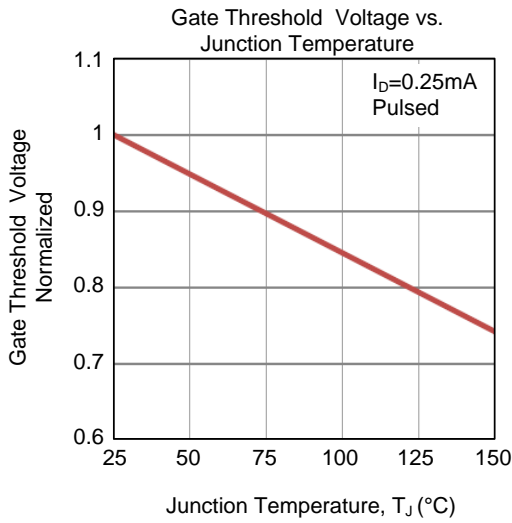


Unclamped Inductive Switching Waveforms

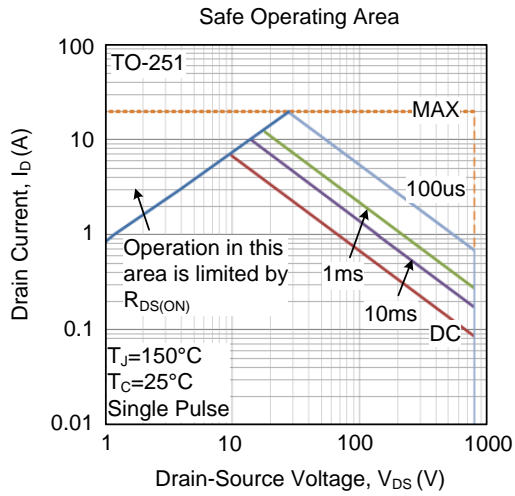
■ TYPICAL CHARACTERISTICS



■ TYPICAL CHARACTERISTICS (Cont.)



■ TYPICAL CHARACTERISTICS (Cont.)



UTC assumes no responsibility for equipment failures that result from using products at values that exceed, even momentarily, rated values (such as maximum ratings, operating condition ranges, or other parameters) listed in products specifications of any and all UTC products described or contained herein. UTC products are not designed for use in life support appliances, devices or systems where malfunction of these products can be reasonably expected to result in personal injury. Reproduction in whole or in part is prohibited without the prior written consent of the copyright owner. UTC reserves the right to make changes to information published in this document, including without limitation specifications and product descriptions, at any time and without notice. This document supersedes and replaces all information supplied prior to the publication hereof.