

## Dual Channel 6A, 20V Monolithic Synchronous Step-Down Regulator

### FEATURES

- Wide  $V_{IN}$  Range: 3.1V to 20V
- Wide  $V_{OUT}$  Range:
  - 0.6V to 5V (LTC3636)
  - 1.8V to 12V (LTC3636-1)
- Output Current per Channel: 6A
- High Efficiency: Up to 95%
- Die Temperature Monitor
- Adjustable Switching Frequency: 500kHz to 4MHz
- External Frequency Synchronization
- Current Mode Operation for Excellent Line and Load Transient Response
- 0.6V Reference Allows Low Output Voltages
- User Selectable Burst Mode<sup>®</sup> Operation or Forced Continuous Operation
- Output Voltage Tracking and Soft-Start Capability
- Short-Circuit Protected
- Overvoltage Input and Overtemperature Protection
- Power Good Status Outputs
- Low Profile 4mm × 5mm 28-Lead QFN Package
- AEC-Q100 Qualified for Automotive Applications

### APPLICATIONS

- Distributed Power Systems
- Battery-Powered Instruments
- Point-of-Load Power Supplies

### DESCRIPTION

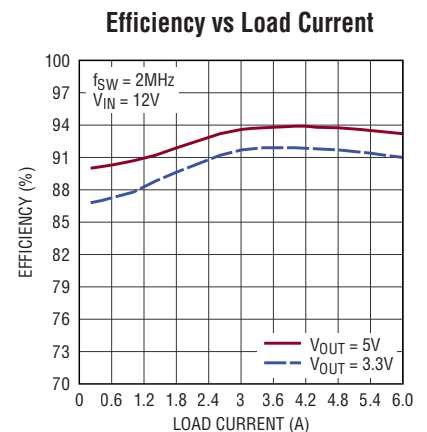
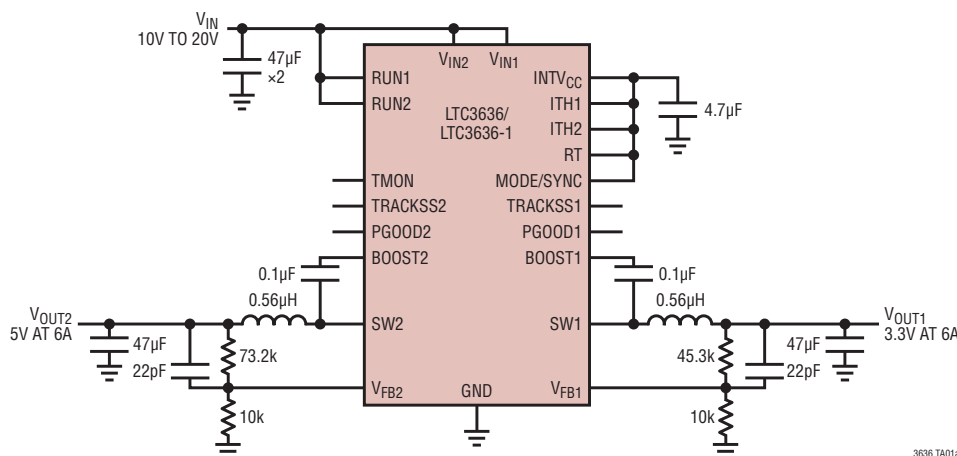
The **LTC<sup>®</sup>3636/LTC3636-1** is a high efficiency, dual-channel monolithic synchronous buck regulator using a controlled on-time current mode architecture, with phase lockable switching frequency. The operating supply voltage range is from 3.1V to 20V, making it suitable for lithium-ion battery stacks as well as point of load power supply applications from a 12V or 5V input.

The operating frequency is programmable from 500kHz to 4MHz with an external resistor and may be synchronized to an external clock signal. The high frequency capability allows the use of small surface mount inductors and capacitors. The unique constant frequency/controlled on-time architecture is ideal for high step-down ratio applications that operate at high frequency while demanding fast transient response.

The LTC3636/LTC3636-1 can select between forced continuous mode and high efficiency Burst Mode operation. The LTC3636 and LTC3636-1 differ in their output voltage sense range.

All registered trademarks and trademarks are the property of their respective owners. Protected by U.S. Patents including 5481178, 5847554, 6580258, 6304066, 6476589, 6774611.

### TYPICAL APPLICATION

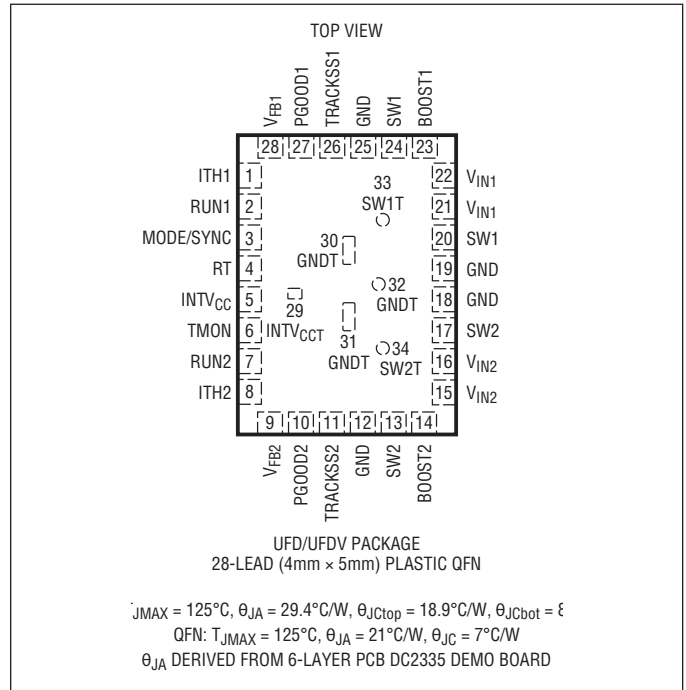


## ABSOLUTE MAXIMUM RATINGS

(Note 1)

$V_{IN1}, V_{IN2}$ .....	-0.3V to 22V
PGOOD1, PGOOD2 .....	-0.3V to 22V
BOOST1-SW1, BOOST2-SW2 .....	-0.3V to 3.6V
TRACKSS1, TRACKSS2 .....	-0.3V to 3.6V
ITH1, ITH2, RT, MODE/SYNC .....	-0.3V to $INTV_{CC} + 0.3V$
$V_{FB1}, V_{FB2}, TMON$ .....	-0.3V to $INTV_{CC} + 0.3V$
RUN1, RUN2 .....	-0.3V to 22V
Operating Junction Temperature Range (Notes 3, 4) .....	-40°C to 125°C
Storage Temperature Range .....	-65°C to 150°C
Maximum Reflow (Package Body) Temperature ...	260°C

## PIN CONFIGURATION



## ELECTROSTATIC DISCHARGE RATINGS (Note 7)

Table 1. LTC3636 28-Lead (4mm x 5mm) Plastic QFN and LQFN

ESD MODEL	WITHSTAND THRESHOLD (V)	CLASS
HBM	±1500	1C
FICDM	±1250	C3

### ESD CAUTION



**ESD (electrostatic discharge) sensitive device.** Charged devices and circuit boards can discharge without detection. Although this product features patented or proprietary protection circuitry, damage may occur on devices subjected to high energy ESD. Therefore, proper ESD precautions should be taken to avoid performance degradation or loss of functionality.

## ORDER INFORMATION

LEAD FREE FINISH	TAPE AND REEL	PART MARKING*	PACKAGE DESCRIPTION	TEMPERATURE RANGE
LTC3636IUFD#PBF	LTC3636IUFD#TRPBF	3636	28-Lead (4mm × 5mm) Plastic QFN	-40°C to 125°C
LTC3636EUFD#PBF	LTC3636EUFD#TRPBF	3636	28-Lead (4mm × 5mm) Plastic QFN	-40°C to 125°C
LTC3636IUFD-1#PBF	LTC3636IUFD-1#TRPBF	36361	28-Lead (4mm × 5mm) Plastic QFN	-40°C to 125°C
LTC3636EUFD-1#PBF	LTC3636EUFD-1#TRPBF	36361	28-Lead (4mm × 5mm) Plastic QFN	-40°C to 125°C
LTC3636IV#PBF	LTC3636IV#TRPBF	4LTV	LQFN (Laminate Package with QFN Footprint)	-40°C to 125°C

### AUTOMOTIVE PRODUCTS\*\*

LTC3636IUFD#WPBF	LTC3636IUFD#WTRPBF	3636	28-Lead (4mm × 5mm) Plastic QFN	-40°C to 125°C
LTC3636EUFD#WPBF	LTC3636EUFD#WTRPBF	3636	28-Lead (4mm × 5mm) Plastic QFN	-40°C to 125°C
LTC3636IUFD-1#WPBF	LTC3636IUFD-1#WTRPBF	36361	28-Lead (4mm × 5mm) Plastic QFN	-40°C to 125°C
LTC3636EUFD-1#WPBF	LTC3636EUFD-1#WTRPBF	36361	28-Lead (4mm × 5mm) Plastic QFN	-40°C to 125°C
LTC3636IV#WPBF	LTC3636IV#WTRPBF	4LTV	LQFN (Laminate Package with QFN Footprint)	-40°C to 125°C

Contact the factory for parts specified with wider operating temperature ranges. \*The temperature grade is identified by a label on the shipping container.

[Tape and reel specifications](#). Some packages are available in 500 unit reels through designated sales channels with #TRMPBF suffix.

\*\*Versions of this part are available with controlled manufacturing to support the quality and reliability requirements of automotive applications. These models are designated with a #W suffix. Only the automotive grade products shown are available for use in automotive applications. Contact your local Analog Devices account representative for specific product ordering information and to obtain the specific Automotive Reliability reports for these models.

### Selection Table

PART NUMBER	V <sub>OUT</sub> SENSE RANGE
LTC3636	0.6V to 5V
LTC3636-1	1.8V to 12V

# LTC3636/LTC3636-1

**ELECTRICAL CHARACTERISTICS** The ● denotes the specifications which apply over the specified operating junction temperature range, otherwise specifications are at  $T_J = 25^\circ\text{C}$  (Note 2).  $V_{IN1} = V_{IN2} = 12\text{V}$  unless otherwise noted.

SYMBOL	PARAMETER	CONDITIONS	MIN	TYP	MAX	UNITS
$V_{IN1}$	Supply Range		● 3.1		20	V
	$V_{IN1}$ Supply Range $V_{IN2}$ Supply Range	$3.1\text{V} < V_{IN1} < 20\text{V}$	● 3.1 ● 1.5		20 20	V V
	Output Voltage Range (Note 4)	LTC3636 LTC3636-1			5 12	V V
$I_Q$	Input DC Supply Current ( $V_{IN1} + V_{IN2}$ ) Both Channels Active (Note 5) Sleep Current Shutdown	MODE = 0V MODE = INTV <sub>CC</sub> , $V_{FB1}, V_{FB2} > 0.6$ RUN1 = RUN2 = 0V		1.3 600 13		mA μA μA
$V_{FB}$	Feedback Reference Voltage		● 0.594	0.6	0.606	V
$\Delta V_{LINE\_REG}$	Reference Voltage Line Regulation	$V_{IN} = 3.1\text{V to } 20\text{V}$		0.002		%/V
$\Delta V_{LOAD\_REG}$	Output Voltage Load Regulation	ITH = 0.8V to 1.6V		0.05		%
$I_{FB}$	Feedback Pin Input Current		-30		30	nA
$g_{m(EA)}$	Error Amplifier Transconductance	ITH = 1.2V		1.8		mS
$t_{ON}$	Minimum On-Time	LTC3636 LTC3636-1		30 30	35	ns
$t_{OFF}$	Minimum Off-Time			100		ns
$f_{OSC}$	Oscillator Frequency	$V_{RT} = \text{INTV}_{CC}$ RT = 162k RT = 80.6k	1.4 1.7 3.4	2 2 4	2.6 2.3 4.6	MHz MHz MHz
$I_{LIM}$	Valley Switch Current Limit Negative Valley Switch Current Limit	ITH = 1.8V	6	6.6	7.2	A A
$R_{DS(ON)}$	Top Switch On-Resistance Bottom Switch On-Resistance			32 18		mΩ mΩ
$I_{SW(LKG)}$	Switch Leakage Current	$V_{IN} = 20\text{V}, V_{RUN} = 0\text{V}$	-1	0.01	1	μA
	Internal Temperature Monitor	$T_A = 25^\circ\text{C}$		1.5		V
	Internal Temperature Monitor Slope (Note 6)			200		°C/V
$V_{VIN-OV}$	$V_{IN}$ Overvoltage Lockout Threshold	$V_{IN}$ Rising $V_{IN}$ Falling	20.3	22.5 21.5	22.5	V V
	INTV <sub>CC</sub> Voltage	$3.6\text{V} < V_{IN} < 20\text{V}, 0\text{mA Load, QFN}$	3.1	3.3	3.5	V
	INTV <sub>CC</sub> Voltage	$3.6\text{V} < V_{IN} < 20\text{V}, 0\text{mA Load, LQFN}$	3.04	3.3	3.58	V
	INTV <sub>CC</sub> Load Regulation	0mA to 50mA Load, $V_{IN} = 4\text{V to } 20\text{V}$		1.3		%
	INTV <sub>CC</sub> Undervoltage Lockout Threshold	INTV <sub>CC</sub> Rising, $V_{IN} = \text{INTV}_{CC}$ INTV <sub>CC</sub> Falling, $V_{IN} = \text{INTV}_{CC}$		2.7 2.55	2.9	V V
	RUN Threshold Rising RUN Threshold Falling		● 1.16 ● 0.96	1.22 1.01	1.28 1.06	V V
	RUN Leakage Current		-3	0	3	μA
	PGOOD Good-to-Bad Threshold	$V_{FB}$ Rising $V_{FB}$ Falling	-10	8 -8	10	% %
	PGOOD Bad-to-Good Threshold	$V_{FB}$ Rising $V_{FB}$ Falling	3	-5 5	-3	% %

## ELECTRICAL CHARACTERISTICS

The ● denotes the specifications which apply over the specified operating junction temperature range, otherwise specifications are at  $T_J = 25^\circ\text{C}$  (Note 2).  $V_{IN1} = V_{IN2} = 12\text{V}$  unless otherwise noted.

SYMBOL	PARAMETER	CONDITIONS	MIN	TYP	MAX	UNITS
$R_{PGOOD}$	PGOOD Pull-Down Resistance	10mA Load		25		$\Omega$
$t_{PGOOD}$	Power Good Filter Time		20	40		$\mu\text{s}$
$t_{SS}$	Internal Soft-Start Time	10% to 90% Rise Time		1000	1500	$\mu\text{s}$
	$V_{FB}$ During Tracking, QFN	TRACKSS = 0.3V	0.28	0.3	0.315	V
	$V_{FB}$ During Tracking, LQFN	TRACKSS = 0.3V	0.278	0.3	0.315	V
$I_{TRACKSS}$	TRACKSS Pull-Up Current			1.4		$\mu\text{A}$
$V_{MODE/SYNC}$	MODE/SYNC Threshold Voltage	MODE $V_{IH}$ MODE $V_{IL}$	1		0.4	V V
	SYNC Threshold Voltage	SYNC $V_{IH}$	0.95			V
$I_{MODE}$	MODE/SYNC Input Current	MODE = 0V MODE = INTV <sub>CC</sub>		1.5 -1.5		$\mu\text{A}$ $\mu\text{A}$

**Note 1:** Stresses beyond those listed under Absolute Maximum Ratings may cause permanent damage to the device. Exposure to any Absolute Maximum Rating condition for extended periods may affect device reliability and lifetime.

**Note 2:** The LTC3636 is tested under pulsed load conditions such that  $T_J \approx T_A$ . The LTC3636E is guaranteed to meet specifications from  $0^\circ\text{C}$  to  $125^\circ\text{C}$  junction temperature. Specifications over the  $-40^\circ\text{C}$  to  $125^\circ\text{C}$  operating junction temperature range are assured by design, characterization and correlation with statistical process controls. The LTC3636I is guaranteed over the  $-40^\circ\text{C}$  to  $125^\circ\text{C}$  operating junction temperature range. Note that the maximum ambient temperature consistent with these specifications is determined by specific operating conditions in conjunction with board layout, the rated package thermal impedance and other environmental factors. The junction temperature

( $T_J$ , in  $^\circ\text{C}$ ) is calculated from the ambient temperature ( $T_A$ , in  $^\circ\text{C}$ ) and power dissipation ( $P_D$ , in Watts) according to the formula:

$$T_J = T_A + (P_D \cdot \theta_{JA}), \text{ where } \theta_{JA} \text{ (in } ^\circ\text{C/W) is the package thermal impedance.}$$

**Note 3:** This IC includes overtemperature protection that is intended to protect the device during momentary overload conditions. Junction temperature will exceed  $125^\circ\text{C}$  when overtemperature protection is active. Continuous operation above the specified maximum operating junction temperature may impair device reliability.

**Note 4:** Output voltages outside the specified range are not optimized for controlled on-time operation. Refer to the Applications Information section for further discussions related to the output voltage range.

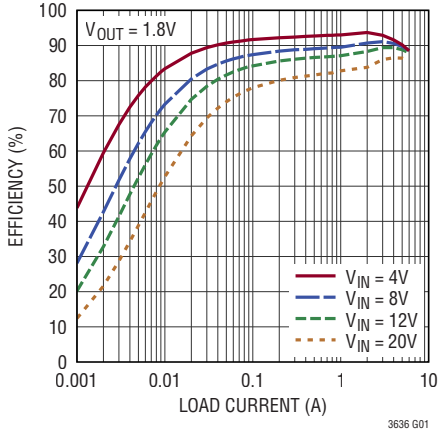
**Note 5:** Dynamic supply current is higher due to the internal gate charge being delivered at the switching frequency.

**Note 6:** Guaranteed by design.

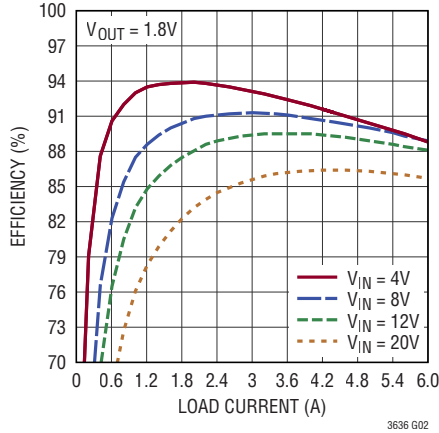
**Note 7:** Human body model (HBM) per ANSI/ESDA/JEDEC JS-001. Field induced charged device model (FICDM) per ANSI/ESDA/JEDEC JS-002.

## TYPICAL PERFORMANCE CHARACTERISTICS $T_J = 25^\circ\text{C}$ , $V_{IN1} = V_{IN2} = 12\text{V}$ , $f_{SW} = 1\text{MHz}$ , $L = 0.55\mu\text{H}$ unless otherwise noted.

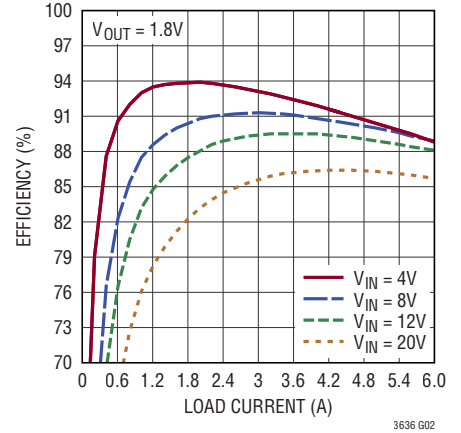
**Efficiency vs Load Current  
Burst Mode Operation**



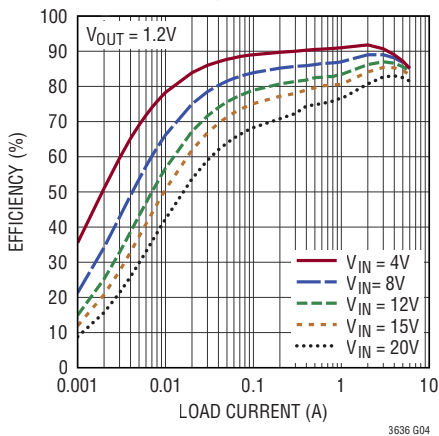
**Efficiency vs Load Current  
Forced Continuous Mode  
Operation**



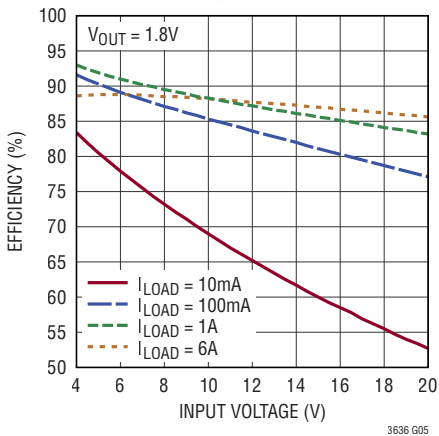
**Efficiency vs Load Current**



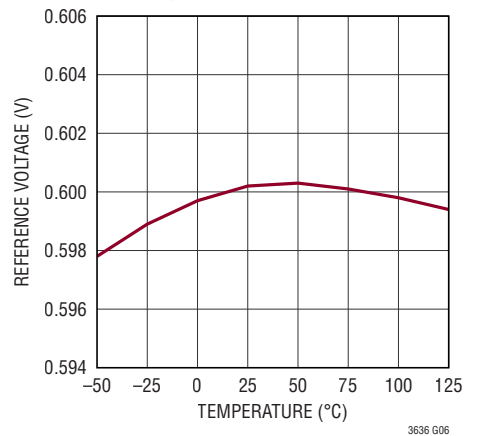
**Efficiency vs Load Current  
Burst Mode Operation**



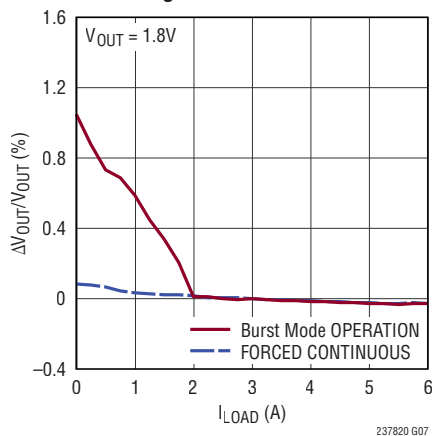
**Efficiency vs Input Voltage  
Burst Mode Operation**



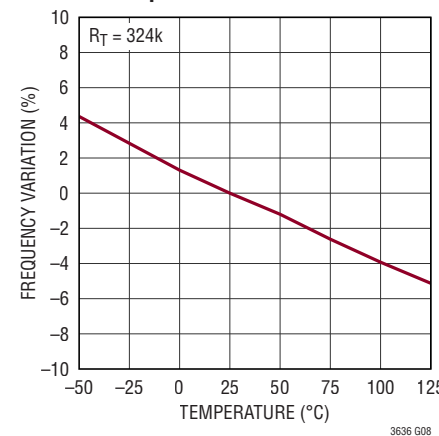
**Reference Voltage  
vs Temperature**



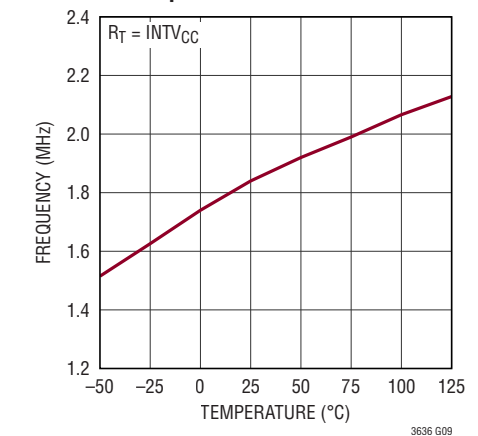
**Load Regulation**



**Oscillator Frequency  
vs Temperature**

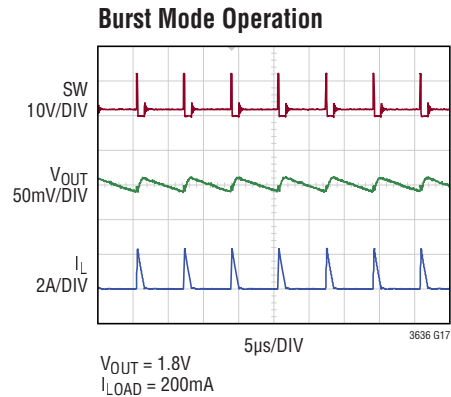
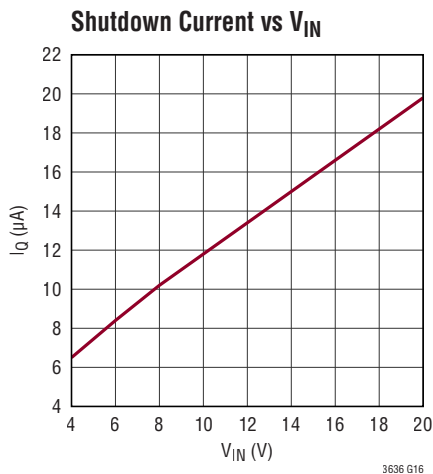
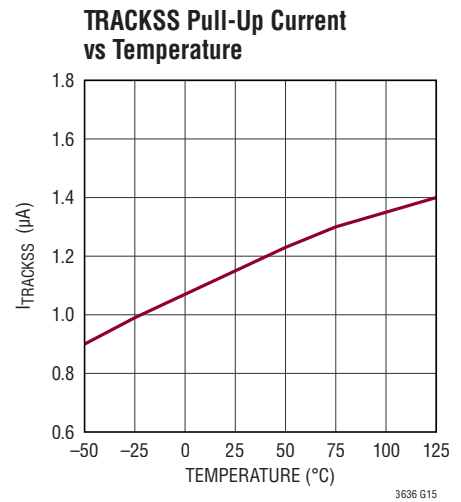
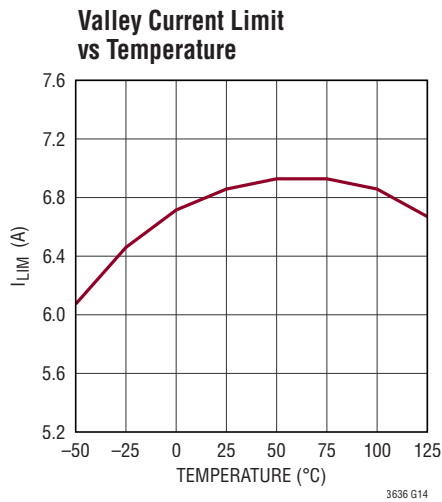
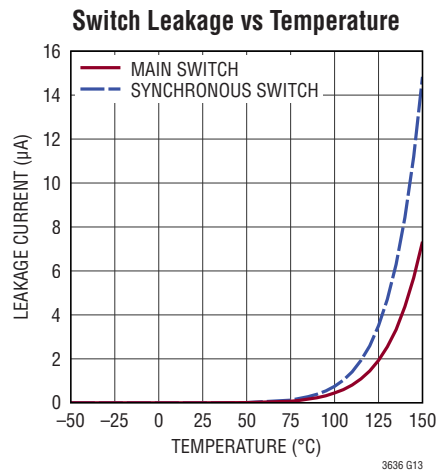
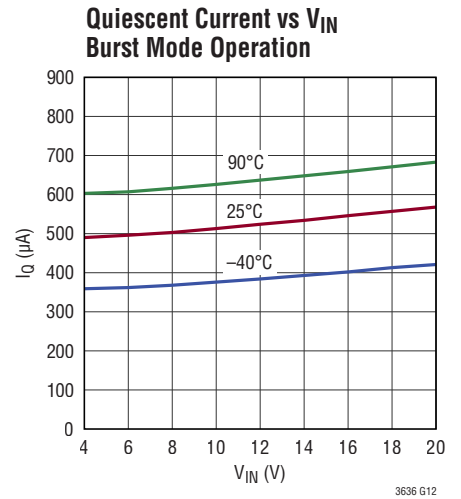
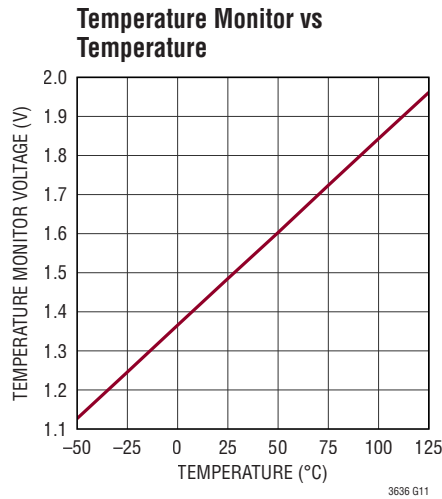
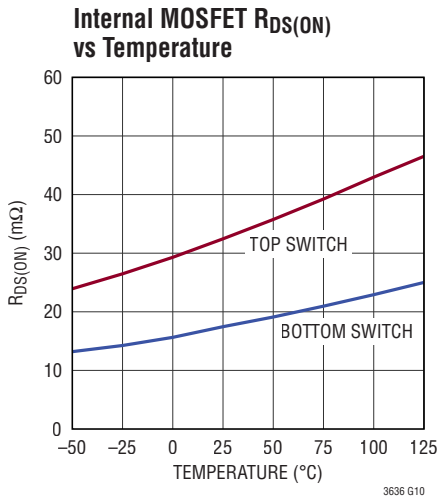


**Oscillator Internal Set Frequency  
vs Temperature**



**TYPICAL PERFORMANCE CHARACTERISTICS**  
 L = 0.55μH unless otherwise noted.

$T_J = 25^\circ\text{C}$ ,  $V_{IN1} = V_{IN2} = 12\text{V}$ ,  $f_{SW} = 1\text{MHz}$ ,

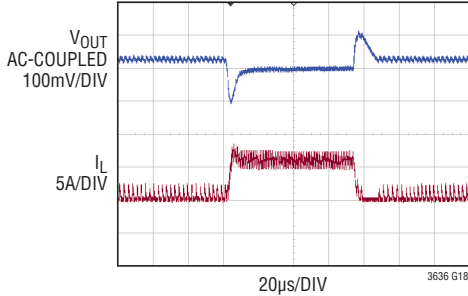


## TYPICAL PERFORMANCE CHARACTERISTICS

$T_J = 25^\circ\text{C}$ ,  $V_{IN1} = V_{IN2} = 12\text{V}$ ,  $f_{SW} = 1\text{MHz}$ ,

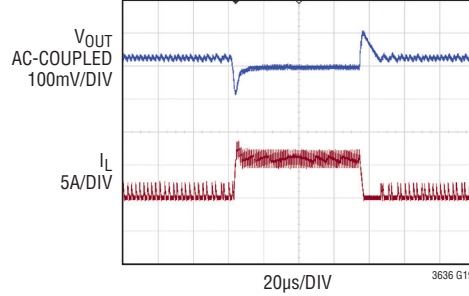
$L = 0.55\mu\text{H}$  unless otherwise noted.

### Load Step



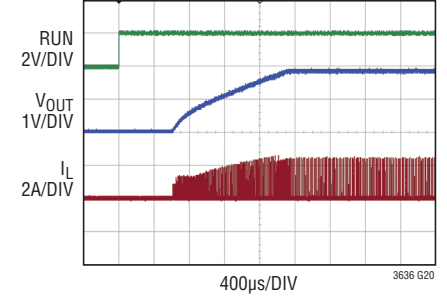
$V_{OUT} = 1.8\text{V}$   
 $I_{LOAD} = 400\text{mA}$  to  $6\text{A}$   
 $C_{COMP} = 330\text{pF}$   
 $R_{COMP} = 13\text{k}\Omega$   
 $C_F = 33\text{pF}$   
 $C_{OUT} = 47\mu\text{F} \times 2$

### Load Step (Internal Compensation)



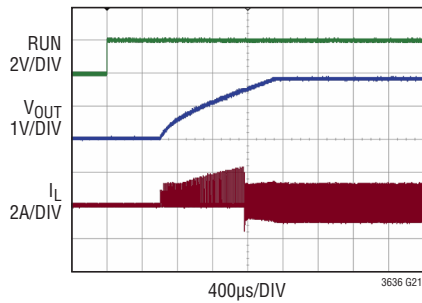
$V_{OUT} = 1.8\text{V}$   
 $I_{LOAD} = 400\text{mA}$  to  $6\text{A}$   
 $I_{TH} = INTV_{CC}$   
 $C_F = 33\text{pF}$   
 $C_{OUT} = 47\mu\text{F} \times 2$

### Start-Up (Burst Mode Operation)



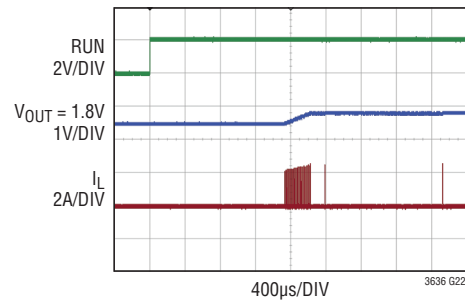
$V_{OUT} = 1.8\text{V}$   
 $I_{LOAD} = 100\text{mA}$

### Start-Up (Forced Continuous Mode)



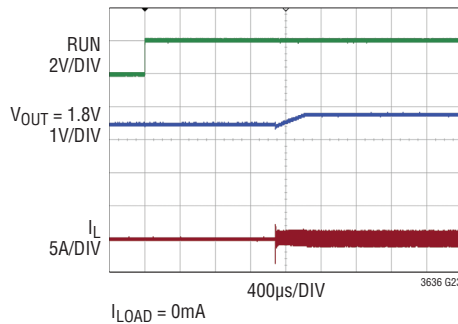
$V_{OUT} = 1.8\text{V}$   
 $I_{LOAD} = 100\text{mA}$

### Start-Up into Prebiased Output (Burst Mode Operation)



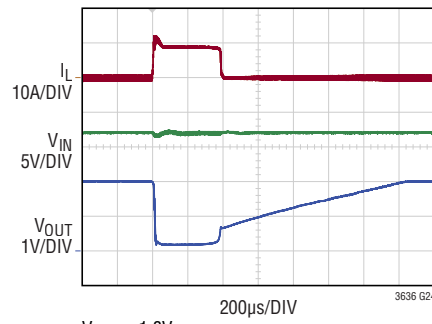
$I_{LOAD} = 0\text{mA}$

### Start-Up into Prebiased Output (Forced Continuous Mode)



$I_{LOAD} = 0\text{mA}$

### Short-Circuit and Soft-Start



$V_{OUT} = 1.8\text{V}$



## PIN FUNCTIONS

**ITH1 (Pin 1):** Channel 1 Error Amplifier Output and Switching Regulator Compensation Pin. Connect this pin to appropriate external components to compensate the regulator loop frequency response. Connect this pin to  $INTV_{CC}$  to use the default internal compensation.

**RUN1 (Pin 2):** Channel 1 Regulator Enable Pin. Enables channel 1 operation by tying RUN above 1.25V. Tying it below 1V places the part into shutdown. Do not float this pin.

**MODE/SYNC (Pin 3):** Mode Select and External Synchronization Input. Tie this pin to ground to force continuous synchronous operation. Floating this pin or tying it to  $INTV_{CC}$  enables high efficiency Burst Mode operation at light loads. Drive this pin with a clock to synchronize the LTC3636/LTC3636-1 switching frequency. An internal phase-locked loop will force the bottom power NMOS's turn on signal to be synchronized with the rising edge of the CLKIN signal. When this pin is driven with a clock, forced continuous mode is automatically selected.

**RT (Pin 4):** Oscillator Frequency Program Pin. Connect an external resistor (between 80k to 640k) from this pin to GND in order to program the frequency from 500kHz to 4MHz. When RT is tied to  $INTV_{CC}$ , the switching frequency will default to 2MHz.

**INTV<sub>CC</sub> (Pin 5):** Internal 3.3V Regulator Output. The internal power drivers and control circuits are powered from this voltage. Decouple this pin to power ground with a minimum of 4.7 $\mu$ F low ESR ceramic capacitor.

**TMON (Pin 6):** Temperature Monitor Output. A voltage proportional to the measured on-die temperature will appear at this pin. The voltage-to-temperature scaling factor is 200°K/V. See the Applications Information section for detailed information on the TMON function. Tie this pin to  $INTV_{CC}$  to disable the temperature monitor circuit.

**RUN2 (Pin 7):** Channel 2 Regulator Enable Pin. Enables channel 2 operation by tying RUN above 1.22V. Tying

it below 1V places the part into shutdown. Do not float this pin.

**ITH2 (Pin 8):** Channel 2 Error Amplifier Output and Switching Regulator Compensation Pin. Connect this pin to appropriate external components to compensate the regulator loop frequency response. Connect this pin to  $INTV_{CC}$  to use the default internal compensation.

**V<sub>FB2</sub> (Pin 9):** Channel 2 Output Feedback Voltage Pin. Input to the error amplifier that compares the feedback voltage to the internal 0.6V reference voltage. Connect this pin to a resistor divider network to program the desired output voltage.

**PGOOD2 (Pin 10):** Channel 2 Open-Drain Power Good Output Pin. PGOOD2 is pulled to ground when the voltage on the  $V_{FB2}$  pin is not within  $\pm 8\%$  (typical) of the internal 0.6V reference. PGOOD2 becomes high impedance once the  $V_{FB2}$  pin returns to within  $\pm 5\%$  (typical) of the internal reference.

**TRACKSS2 (Pin 11):** Output Tracking and Soft-Start Input Pin for Channel 2. Forcing a voltage below 0.6V on this pin bypasses the internal reference input to the error amplifier. The LTC3636/LTC3636-1 will servo the FB pin to the TRACK voltage. Above 0.6V, the tracking function stops and the internal reference resumes control of the error amplifier. An internal 1.4 $\mu$ A pull up current from  $INTV_{CC}$  allows a soft-start function to be implemented by connecting a capacitor between this pin and PGND.

**GND (Pins 12, 18, 19, 25):** Power and Signal Ground. These pins must be tied together and soldered to PCB ground.

**SW2 (Pins 13, 17):** Channel 2 Switch Node Connection to External Inductor. Voltage swing of SW is from a diode voltage drop below ground to  $V_{IN}$ .

**BOOST2 (Pin 14):** Boosted Floating Driver supply for Channel 2. The (+) terminal of the bootstrap capacitor connects to this pin while the (–) terminal connects to

## PIN FUNCTIONS

the SW pin. The normal operational voltage swing of this pin ranges from a diode voltage drop below  $INTV_{CC}$  up to  $V_{IN}+INTV_{CC}$ .

**$V_{IN2}$  (Pins 15, 16):** Power Supply Input for Channel 2. This input is capable of operating from a separate supply voltage than  $V_{IN1}$ .

**SW1 (Pins 20, 24):** Channel 1 Switch Node Connection to External Inductor. Voltage swing of SW is from a diode voltage drop below ground to  $V_{IN}$ .

**$V_{IN1}$  (Pins 21, 22):** Power Supply Input for Channel 1. Input voltage to the on chip power MOSFETs on channel 1. The internal LDO for  $INTV_{CC}$  is powered off of this pin.

**BOOST1 (Pin 23):** Boosted Floating Driver Supply for Channel 1. The (+) terminal of the bootstrap capacitor connects to this pin while the (-) terminal connects to the SW pin. The normal operational voltage swing of this pin ranges from a diode voltage drop below  $INTV_{CC}$  up to  $V_{IN} + INTV_{CC}$ .

**TRACKSS1 (Pin 26):** Output Tracking and Soft-Start Input Pin for Channel 1. Forcing a voltage below 0.6V on this pin bypasses the internal reference input to the error amplifier. The LTC3636/LTC3636-1 will servo the FB pin to the TRACK voltage. Above 0.6V, the tracking function stops

and the internal reference resumes control of the error amplifier. An internal 1.4 $\mu$ A pull up current from  $INTV_{CC}$  allows a soft-start function to be implemented by connecting a capacitor between this pin and PGND.

**PGOOD1 (Pin 27):** Channel 1 Open-Drain Power Good Output Pin. PGOOD1 is pulled to ground when the voltage on the  $V_{FB1}$  pin is not within  $\pm 8\%$  (typical) of the internal 0.6V reference. PGOOD1 becomes high impedance once the  $V_{FB1}$  pin returns to within  $\pm 5\%$  (typical) of the internal reference.

**$V_{FB1}$  (Pin 28):** Channel 1 Output Feedback Voltage Pin. Input to the error amplifier that compares the feedback voltage to the internal 0.6V reference voltage. Connect this pin to a resistor divider network to program the desired output voltage.

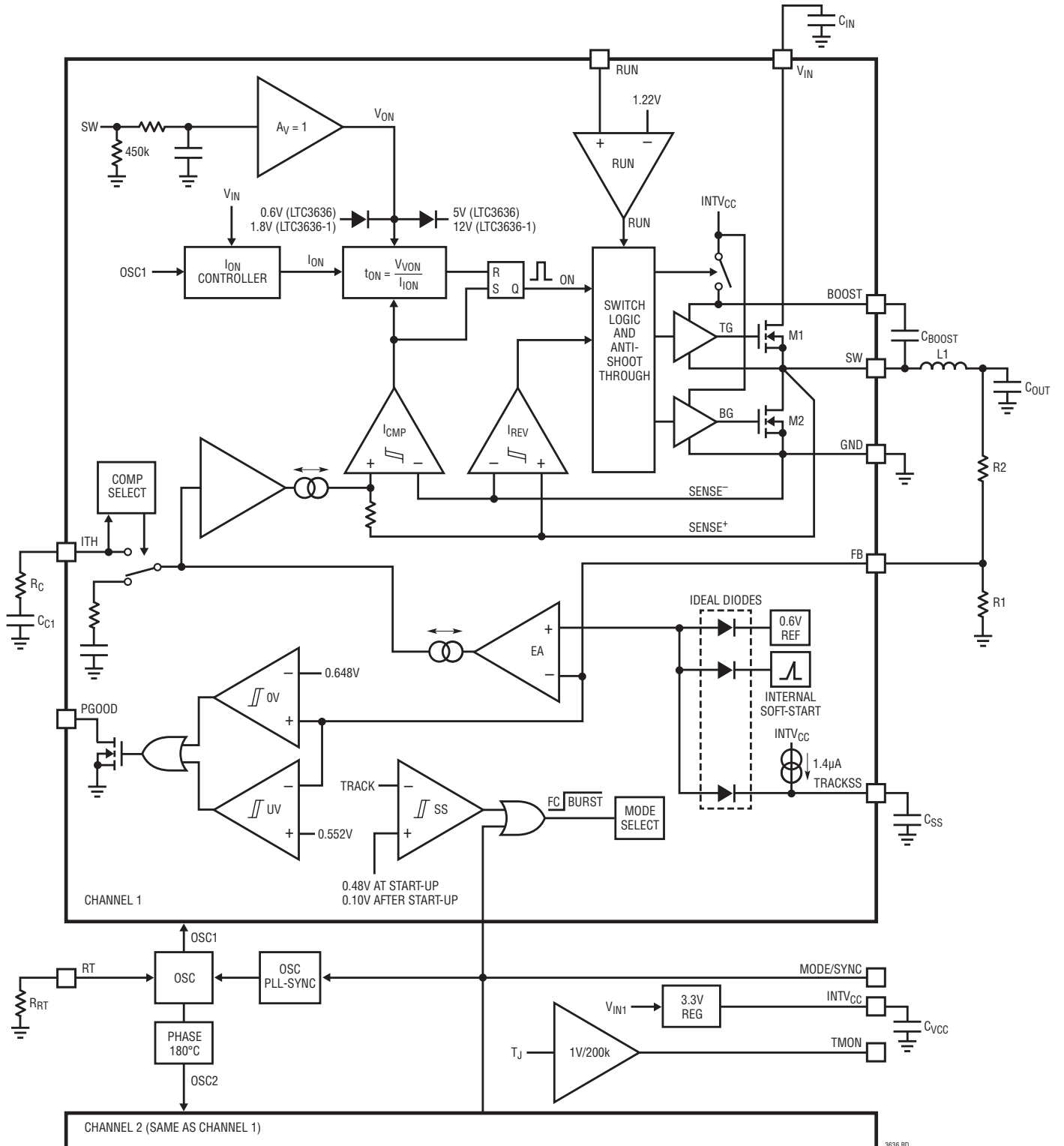
**$INTV_{CCT}$  (Pin 29):** Additional  $INTV_{CC}$  pin. Not required to be connected to  $INTV_{CC}$  pin for operation.

**GNDT (Pins 30, 31, 32):** Power Ground. Additional power ground pins for improved thermal dissipation when connected to the GND pins. Not required to be connected to GND pins for operation.

**SWT1T (Pin 33):** Additional SW1 pin. Not required to be connected to SW1 pins 20 and 24 for operation.

**SWT2T (Pins 34):** Additional SW2 pin. Not required to be connected to SW2 pins 13 and 17 for operation.

**BLOCK DIAGRAM**



## OPERATION

The LTC3636/LTC3636-1 is a dual-channel, current mode monolithic step down regulator capable of providing 6A of output current from each channel. Its unique controlled on-time architecture allows extremely low step-down ratios while maintaining a constant switching frequency. Both channels share the same clock and run 180° out of phase. Each channel is enabled by raising the voltage on the RUN pin above 1.22V nominally.

### Main Control Loop

In normal operation, the internal top power MOSFET is turned on for a fixed interval determined by a fixed one-shot timer (“ON” signal in Block Diagram). When the top power MOSFET turns off, the bottom power MOSFET turns on until the current comparator  $I_{CMP}$  trips, thus restarting the one shot timer and initiating the next cycle. Inductor current is measured by sensing the voltage drop across the SW and GND nodes of the bottom power MOSFET. The voltage on the ITH pin sets the comparator threshold corresponding to inductor valley current. The error amplifier EA adjusts this ITH voltage by comparing an internal 0.6V reference to the feedback signal  $V_{FB}$  derived from the output voltage. If the load current increases, it causes a drop in the feedback voltage relative to the internal reference. The ITH voltage then rises until the average inductor current matches that of the load current.

The operating frequency is determined by the value of the RT resistor, which programs the current for the internal oscillator. An internal phase-locked loop servos the switching regulator on-time to track the internal oscillator edge and force a constant switching frequency. A clock signal can be applied to the MODE/SYNC pin to synchronize the switching frequency to an external source. The regulator defaults to forced continuous operation once the clock signal is applied.

At light load currents, the inductor current can drop to zero and become negative. In Burst Mode operation, a current reversal comparator ( $I_{REV}$ ) detects the negative inductor current and shuts off the bottom power MOSFET,

resulting in discontinuous operation and increased efficiency. Both power MOSFETs will remain off until the ITH voltage rises above the zero current level to initiate another cycle. During this time, the output capacitor supplies the load current and the part is placed into a low current sleep mode. Discontinuous mode operation is disabled by tying the MODE/SYNC pin to ground, which forces continuous synchronous operation regardless of output load current.

### “Power Good” Status Output

The PGOOD open-drain output will be pulled low if the regulator output exits a  $\pm 8\%$  window around the regulation point. This condition is released once regulation within a  $\pm 5\%$  window is achieved. To prevent unwanted PGOOD glitches during transients or dynamic  $V_{OUT}$  changes, the LTC3636/LTC3636-1 PGOOD falling edge includes a filter time of approximately 40 $\mu$ s.

### $V_{IN}$ Overvoltage Protection

In order to protect the internal power MOSFET devices against transient input voltage spikes, the LTC3636/LTC3636-1 constantly monitors each  $V_{IN}$  pin for an overvoltage condition. When  $V_{IN}$  rises above 22.5V, the regulator suspends operation by shutting off both power MOSFETs on the corresponding channel. Once  $V_{IN}$  drops below 21.5V, the regulator immediately resumes normal operation. The regulator executes its soft-start function when exiting an overvoltage condition.

### Overcurrent and Short-Circuit Protection

The LTC3636 protects itself against output overcurrent and short-circuits by sensing the inductor valley current. When the current limit is reached, the output begins to fall, resulting in decreased on-time of the top power MOSFET. If the short is prolonged enough for the on-time to reach its minimum, the off-time will lengthen, lowering the switching frequency and preventing excess current from being drawn from  $V_{IN}$ . After the overcurrent or short is removed, the regulator executes its soft-start function to prevent the output voltage from overshooting.

## APPLICATIONS INFORMATION

A general LTC3636/LTC3636-1 application circuit is shown on the first page of this data sheet. External component selection is largely driven by the load requirement and switching frequency. Component selection typically begins with the selection of the inductor L and resistor  $R_T$ . Once the inductor is chosen, the input capacitor,  $C_{IN}$ , and the output capacitor,  $C_{OUT}$ , can be selected. Next, the feedback resistors are selected to set the desired output voltage. Finally, the remaining optional external components can be selected for functions such as external loop compensation, tracking/soft-start, input UVLO, and PGOOD.

### Programming Switching Frequency

Selection of the switching frequency is a trade-off between efficiency and component size. High frequency operation allows the use of smaller inductor and capacitor values. Operation at lower frequencies improves efficiency by reducing internal gate charge losses but requires larger inductance values and/or capacitance to maintain low output ripple voltage.

Connecting a resistor from the RT pin to GND programs the switching frequency (f) between 500kHz and 4MHz according to the following formula:

$$R_{RT} = \frac{3.2E^{11}}{f}$$

where  $R_{RT}$  is in  $\Omega$  and f is in Hz.

When RT is tied to INTV<sub>CC</sub>, the switching frequency will default to approximately 2MHz, as set by an internal resistor. This internal resistor is more sensitive to process

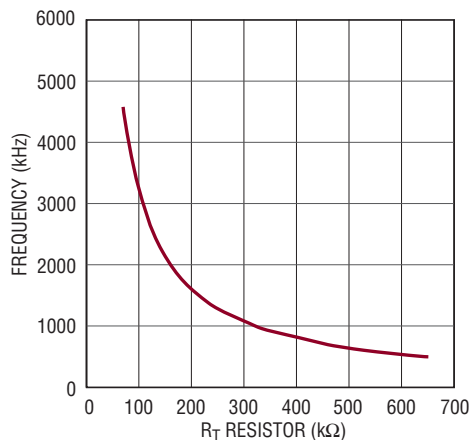


Figure 1. Switching Frequency vs  $R_T$

and temperature variations than an external resistor (see Typical Performance Characteristics) and is best used for applications where switching frequency accuracy is not critical.

### Dual-Phase Single $V_{OUT}$ Operation

For output loads that demand more than 6A of current, the two channels can be configured in parallel as a single output to provide more output current. During dual-phase operation, it is recommended to set the switching frequency above 800kHz to ensure stability over a wide input voltage range.

With dual-phase operation, the two channels of the LTC3636 are operated 180 degrees out of phase. This effectively interleaves the current pulses coming from the switches, greatly reducing the overlap time when they add together. The result is a significant reduction in total RMS input current, which in turn allows less expensive input capacitors to be used and reduces the voltage noise on the supply line.

The two channels in parallel will inherently share current well, because the LTC3636 is a current mode controlled regulator. When operating the channels in parallel, tie the respective RUN, TRACKSS,  $V_{FB}$ , and ITH pins together; do not tie ITH pins to INTV<sub>CC</sub>. Use external compensation on the combined ITH pins. Good current sharing balances the thermals on the design.

### Inductor Selection

For a given input and output voltage, the inductor value and operating frequency determine the inductor ripple current. More specifically, the inductor ripple current decreases with higher inductor value or higher operating frequency according to the following equation:

$$\Delta I_L = \left( \frac{V_{OUT}}{f \cdot L} \right) \left( 1 - \frac{V_{OUT}}{V_{IN}} \right)$$

Where  $\Delta I_L$  = inductor ripple current, f = operating frequency, L = inductor value and  $V_{IN}$  is the input power supply voltage applied to the  $V_{IN}$  inputs. A trade-off between component size, efficiency and operating frequency can be seen from this equation. Accepting larger values of  $\Delta I_L$

## APPLICATIONS INFORMATION

allows the use of lower value inductors but results in greater inductor core loss; greater ESR loss in the output capacitor; and larger output voltage ripple. Generally, highest efficiency operation is obtained at low operating frequency with small ripple current.

A reasonable starting point is to choose a ripple current of 2.4A which is about 40% of  $I_{OUT(MAX)}$ . Exceeding 60% of  $I_{OUT(MAX)}$  is not recommended. Note that the largest ripple current occurs at the highest  $V_{IN}$ . To guarantee that ripple current does not exceed a specified maximum, the inductance should be chosen according to:

$$L = \left( \frac{V_{OUT}}{f \cdot \Delta I_{L(MAX)}} \right) \left( 1 - \frac{V_{OUT}}{V_{IN(MAX)}} \right)$$

Once the value for L is known, the type of inductor must be selected. Actual core loss is independent of core size for a fixed inductor value, but is very dependent on the inductance selected. As the inductance increases, core losses decrease. Unfortunately, increased inductance requires more turns of wire, leading to increased DCR and copper loss.

Ferrite designs exhibit very low core loss and are preferred at high switching frequencies, so design goals can concentrate on copper loss and preventing saturation. Ferrite core material saturates “hard”, which means that inductance collapses abruptly when the peak design current is exceeded. This results in an abrupt increase in inductor ripple current, so it is important to ensure that the core will not saturate.

Different core materials and shapes will change the size/current and price/current relationship of an inductor. Toroid or shielded pot cores in ferrite or permalloy materials are small and don't radiate much energy, but generally cost more than powdered iron core inductors with similar characteristics. The choice of which style inductor to use mainly depends on the price versus size requirements and any radiated field/EMI requirements. Table 1 gives a sampling of available surface mount inductors.

**Table 1. Inductor Selection Table**

INDUCTANCE ( $\mu$ H)	DCR (m $\Omega$ )	MAX CURRENT (A)	DIMENSIONS (mm)	HEIGHT (mm)
<b>Würth Elektronik WE-HC 744312 Series</b>				
0.25	2.5	18	7 × 7.7	3.8
0.47	3.4	16		
0.72	7.5	12		
1.0	9.5	11		
1.5	10.5	9		
<b>Vishay IHLP-2020BZ-01 Series</b>				
0.22	5.2	15	5.2 × 5.5	2
0.33	8.2	12		
0.47	8.8	11.5		
0.68	12.4	10		
1	20	7		
<b>Toko FDVE0603 Series</b>				
0.33	2.7	15.9	7.4 × 6.7	3.0
0.47	3.7	15.6		
0.68	6	10.4		
0.75	6.2	10.9		
1	8.5	9.5		
<b>Coilcraft XAL6030 Series</b>				
0.20	3.04	17.2	6.4 × 6.6	3
0.33	5.18	15.4		
0.56	8	13.8		
0.82	11.8	11.5		
1.0	13.25	9.6		
<b>TDK SPM 5030 Series</b>				
0.2	2.31	21	5.2 × 5	3
0.35	4.29	14.9		
0.75	9.35	9.7		
1	11.44	8.5		

### $C_{IN}$ and $C_{OUT}$ Selection

The input capacitance,  $C_{IN}$ , is needed to filter the trapezoidal wave current at the drain of the top power MOSFET. To prevent large voltage transients from occurring, a low ESR input capacitor sized for the maximum RMS current is recommended. The maximum RMS current is given by:

$$I_{RMS} = I_{OUT(MAX)} \frac{\sqrt{V_{OUT}(V_{IN} - V_{OUT})}}{V_{IN}}$$

This formula has a maximum at  $V_{IN} = 2V_{OUT}$ , where  $I_{RMS} \cong I_{OUT}/2$ . This simple worst case condition is commonly used for design because even significant deviations do not offer much relief. Note that ripple current ratings from capacitor manufacturers are often based on only 2000 hours of life which makes it advisable to further derate the capacitor, or choose a capacitor rated at a higher temperature than required.

## APPLICATIONS INFORMATION

Several capacitors may also be paralleled to meet size or height requirements in the design. For low input voltage applications, sufficient bulk input capacitance is needed to minimize transient effects during output load changes. Even though the LTC3636/LTC3636-1 design includes an overvoltage protection circuit, care must always be taken to ensure input voltage transients do not pose an overvoltage hazard to the part.

The selection of  $C_{OUT}$  is determined by the effective series resistance (ESR) that is required to minimize voltage ripple and load step transients as well as the amount of bulk capacitance that is necessary to ensure that the control loop is stable. Loop stability can be checked by viewing the load transient response. The output ripple,  $\Delta V_{OUT}$ , is approximated by:

$$\Delta V_{OUT} < \Delta I_L \left( ESR + \frac{1}{8 \cdot f \cdot C_{OUT}} \right)$$

When using low-ESR ceramic capacitors, it is more useful to choose the output capacitor value to fulfill a charge storage requirement. During a load step, the output capacitor must instantaneously supply the current to support the load until the feedback loop raises the switch current enough to support the load. The time required for the feedback loop to respond is dependent on the compensation and the output capacitor size. Typically, 3 to 4 cycles are required to respond to a load step, but only in the first cycle does the output drop linearly. The output droop,  $V_{DROOP}$ , is usually about 3 times the linear drop of the first cycle. Thus, a good place to start is with the output capacitor of approximately:

$$C_{OUT} \approx \frac{3 \cdot \Delta I_{OUT}}{f \cdot V_{DROOP}}$$

Though this equation provides a good approximation, more capacitance may be required depending on the duty cycle and load step requirements. The actual  $V_{DROOP}$  should be verified by applying a load step to the output.

### Using Ceramic Input and Output Capacitors

Higher values, lower cost ceramic capacitors are available in small case sizes. Their high ripple current, high voltage rating and low ESR make them ideal for switching

regulator applications. However, due to the self-resonant and high-Q characteristics of some types of ceramic capacitors, care must be taken when these capacitors are used at the input. When a ceramic capacitor is used at the input and the power is supplied by a wall adapter through long wires, a load step at the output can induce ringing at the  $V_{IN}$  input. At best, this ringing can couple to the output and be mistaken as loop instability. At worst, a sudden inrush of current through the long wires can potentially cause a voltage spike at  $V_{IN}$  large enough to damage the part. For a more detailed discussion, refer to Application Note 88.

When choosing the input and output ceramic capacitors, choose the X5R and X7R dielectric formulations. These dielectrics have the best temperature and voltage characteristics of all the ceramics for a given value and size.

### INTV<sub>CC</sub> Regulator Bypass Capacitor

An internal low dropout (LDO) regulator draws power from the  $V_{IN1}$  input and produces the 3.3V supply that powers the internal bias circuitry and drives the gate of the internal MOSFET switches. The INTV<sub>CC</sub> pin connects to the output of this regulator and must have a minimum of 4.7 $\mu$ F ceramic decoupling capacitance to ground. The decoupling capacitor should have low impedance electrical connections to the INTV<sub>CC</sub> and GND pins to provide the transient currents required by the LTC3636/LTC3636-1. High input voltage and high switching frequency will increase die temperature because of the higher power dissipation across the LDO. Connecting any external load to the INTV<sub>CC</sub> pin is not recommended since it may impact LTC3636/LTC3636-1 operation while increasing power dissipation and die temperature.

### Boost Capacitor

The LTC3636/LTC3636-1 uses a “bootstrap” circuit to create a voltage rail above the applied input voltage  $V_{IN}$ . Specifically, a boost capacitor,  $C_{BOOST}$ , is charged to a voltage approximately equal to INTV<sub>CC</sub> each time the bottom power MOSFET is turned on. The charge on this capacitor is then used to supply the required transient current during the remainder of the switching cycle. When the top MOSFET is turned on, the BOOST pin voltage will be

## APPLICATIONS INFORMATION

equal to approximately  $V_{IN} + 3.3V$ . For most applications, a  $0.1\mu F$  ceramic capacitor closely connected between the BOOST and SW pins will provide adequate performance.

### Output Voltage Programming

Each regulator's output voltage is set by an external resistive divider according to the following equation:

$$V_{OUT} = 0.6V \left( 1 + \frac{R2}{R1} \right)$$

The desired output voltage is set by appropriate selection of resistors R1 and R2 as shown in Figure 2. Choosing large values for R1 and R2 will result in improved zero-load efficiency but may lead to undesirable noise coupling or phase margin reduction due to stray capacitances at the  $V_{FB}$  node. Care should be taken to route the  $V_{FB}$  trace away from any noise source, such as the SW trace. To improve the frequency response of the main control loop, a feedforward capacitor,  $C_F$ , may be used as shown in Figure 2.

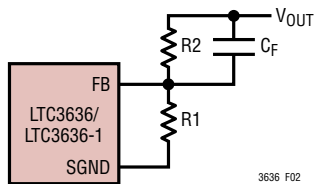


Figure 2. Setting the Output Voltage

If the output voltage is outside the  $V_{ON}$  sense range ( $0.6V - 5V$  for the LTC3636,  $1.8V - 12V$  for the LTC3636-1), the output voltage will stay in regulation, but the switching frequency may deviate from the programmed frequency.

### Minimum Off-Time/On-Time Considerations

The minimum off-time is the smallest amount of time that the LTC3636/LTC3636-1 can turn on the bottom power MOSFET, trip the current comparator and turn the power MOSFET back off. This time is typically  $100ns$ . For the controlled on-time architecture, the minimum off-time limit imposes a maximum duty cycle of:

$$DC_{(MAX)} = 1 - f \cdot (t_{OFF(MIN)} + 2 \cdot t_{DEAD})$$

where  $f$  is the switching frequency,  $t_{DEAD}$  is the nonoverlap time, or “dead time” (typically  $5ns$ ) and  $t_{OFF(MIN)}$  is the minimum off-time. If the maximum duty cycle is surpassed, due to a dropping input voltage for example, the output will drop out of regulation. The minimum input voltage to avoid this dropout condition is:

$$V_{IN(MIN)} = \frac{V_{OUT}}{1 - f \cdot (t_{OFF(MIN)} + 2 \cdot t_{DEAD})}$$

Conversely, the minimum on-time is the smallest duration of time in which the top power MOSFET can be in its “on” state. This time is typically  $30ns$ . In continuous mode operation, the minimum on-time limit imposes a minimum duty cycle of:

$$DC_{(MIN)} = (f \cdot t_{ON(MIN)})$$

where  $t_{ON(MIN)}$  is the minimum on-time. As the equation shows, reducing the operating frequency will alleviate the minimum duty cycle constraint.

In the rare cases where the minimum duty cycle is surpassed, the output voltage will still remain in regulation, but the switching frequency will decrease from its programmed value. This constraint may not be of critical importance in most cases, so high switching frequencies may be used in the design without any fear of severe consequences. As the sections on Inductor and Capacitor selection show, high switching frequencies allow the use of smaller board components, thus reducing the footprint of the application circuit.

### Internal/External Loop Compensation

The LTC3636/LTC3636-1 provides the option to use a fixed internal loop compensation network to reduce both the required external component count and design time. The internal loop compensation network can be selected by connecting the ITH pin to the INTV<sub>CC</sub> pin. To ensure stability it is recommended that internal compensation only be used with applications with  $f_{SW} > 1MHz$ . Alternatively, the user may choose specific external loop compensation components to optimize the main control loop transient response as desired. External loop compensation is chosen by simply connecting the desired network to the ITH pin.



## APPLICATIONS INFORMATION

Suggested compensation component values are shown in Figure 3. For a 2MHz application, an R-C network of 220pF and 13k $\Omega$  provides a good starting point. The bandwidth of the loop increases with decreasing C. If R is increased by the same factor that C is decreased, the zero frequency will be kept the same, thereby keeping the phase the same in the most critical frequency range of the feedback loop. A 10pF bypass capacitor on the ITH pin is recommended for the purposes of filtering out high frequency coupling from stray board capacitance. In addition, a feedforward capacitor  $C_F$  can be added to improve the high frequency response, as previously shown in Figure 2. Capacitor  $C_F$  provides phase lead by creating a high frequency zero with R2 which improves the phase margin.

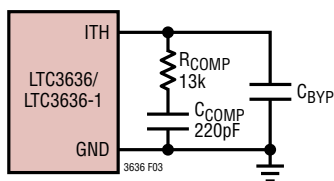


Figure 3. Compensation Component

### Checking Transient Response

The regulator loop response can be checked by observing the response of the system to a load step. When configured for external compensation, the availability of the ITH pin not only allows optimization of the control loop behavior but also provides a DC-coupled and AC filtered closed loop response test point. The DC step, rise time, and settling behavior at this test point reflect the closed loop response. Assuming a predominantly second order system, phase margin and/or damping factor can be estimated using the percentage of overshoot seen at this pin.

The ITH external components shown in Figure 3 circuit will provide an adequate starting point for most applications. The series R-C filter sets the dominant pole-zero loop compensation. The values can be modified slightly (from 0.5 to 2 times their suggested values) to optimize transient response once the final PC layout is done and the particular output capacitor type and value have been determined. The output capacitors need to be selected because their various types and values determine the loop gain and phase. An output current pulse of 20% to 100% of full load current having a rise time of  $\sim 1\mu\text{s}$  will

produce output voltage and ITH pin waveforms that will give a sense of the overall loop stability without breaking the feedback loop.

Switching regulators take several cycles to respond to a step in load current. When a load step occurs,  $V_{OUT}$  immediately shifts by an amount equal to  $\Delta I_{LOAD} \cdot ESR$ , where ESR is the effective series resistance of  $C_{OUT}$ .  $\Delta I_{LOAD}$  also begins to charge or discharge  $C_{OUT}$  generating a feedback error signal used by the regulator to return  $V_{OUT}$  to its steady-state value. During this recovery time,  $V_{OUT}$  can be monitored for overshoot or ringing that would indicate a stability problem.

When observing the response of  $V_{OUT}$  to a load step, the initial output voltage step may not be within the bandwidth of the feedback loop. In this case, the standard second order overshoot/DC ratio cannot be used to determine phase margin. The output voltage settling behavior is related to the stability of the closed-loop system and will demonstrate the actual overall supply performance. For a detailed explanation of optimizing the compensation components, including a review of control loop theory, refer to Linear Technology Application Note 76.

In some applications, a more severe transient can be caused by switching in loads with large ( $>10\mu\text{F}$ ) input capacitors. The discharged input capacitors are effectively put in parallel with  $C_{OUT}$ , causing a rapid drop in  $V_{OUT}$ . No regulator can deliver enough current to prevent this problem, if the switch connecting the load has low resistance and is driven quickly. The solution is to limit the turn-on speed of the load switch driver. A hot swap controller is designed specifically for this purpose and usually incorporates current limiting, short-circuit protection, and soft starting.

### On-Die Temperature Monitor

The LTC3636/LTC3636-1 produces a voltage at the TMON pin proportional to the measured junction temperature. The junction temperature-to-voltage scaling factor is  $200^\circ\text{K}/\text{V}$ . Thus, to obtain the junction temperature in degrees Kelvin, simply multiply the voltage provided at the TMON pin by the scaling factor. To obtain the junction temperature in degrees Celsius, subtract 273 from the value obtained in degrees Kelvin.

## APPLICATIONS INFORMATION

The temperature monitor function uses a chopping technique to achieve high precision. As a result, a small periodic ripple may be seen at the TMON pin, the average of which is the measured value of interest. The ripple frequency will be the operating frequency divided by 32. If required, a 1 $\mu$ F or greater capacitor to GND may be placed on the output to reduce the magnitude of the ripple.

### MODE/SYNC Operation

The MODE/SYNC pin is a multipurpose pin allowing both mode selection and operating frequency synchronization. Floating this pin or connecting it to INTV<sub>CC</sub> enables Burst Mode operation for superior efficiency at low load currents at the expense of slightly higher output voltage ripple. When the MODE/SYNC pin is tied to ground, forced continuous mode operation is selected, creating the lowest fixed output ripple at the expense of light load efficiency.

The LTC3636/LTC3636-1 will detect the presence of the external clock signal on the MODE/SYNC pin and synchronize the internal oscillator to the phase and frequency of the incoming clock. The presence of an external clock will place both regulators into forced continuous mode operation.

### Output Voltage Tracking and Soft-Start

The LTC3636/LTC3636-1 allows the user to control the output voltage ramp rate by means of the TRACKSS pin. From 0 to 0.6V, the TRACKSS voltage will override the internal 0.6V reference input to the error amplifier, thus

regulating the feedback voltage to that of the TRACKSS pin. When TRACKSS is above 0.6V, tracking is disabled and the feedback voltage will regulate to the internal reference voltage.

The voltage at the TRACKSS pin may be driven from an external source, or alternatively, the user may leverage the internal 1.4 $\mu$ A pull-up current source to implement a soft-start function by connecting an external capacitor ( $C_{SS}$ ) from the TRACKSS pin to ground. The relationship between output rise time and TRACKSS capacitance is given by:

$$t_{SS} = 430000\Omega \cdot C_{SS}$$

A default internal soft-start ramp forces a minimum soft-start time of 1000 $\mu$ s by overriding the TRACKSS pin input during this time period. Hence, capacitance values less than approximately 2200pF will not significantly affect soft-start behavior.

When driving the TRACKSS pin from another source, each channel's output can be set up to either coincidentally or ratiometrically track another supply's output, as shown in Figure 4. In the following discussions,  $V_{OUT1}$  refers to the LTC3636/LTC3636-1 output 1 as a master channel and  $V_{OUT2}$  refers to output 2 as a slave channel. In practice, either channel can be used as the master.

To implement the coincident tracking in Figure 4a, connect an additional resistive divider to  $V_{OUT1}$  and connect its midpoint to the TRACKSS pin of the slave channel. The ratio of this divider should be the same as that of the slave channel's feedback divider shown in Figure 5a. In

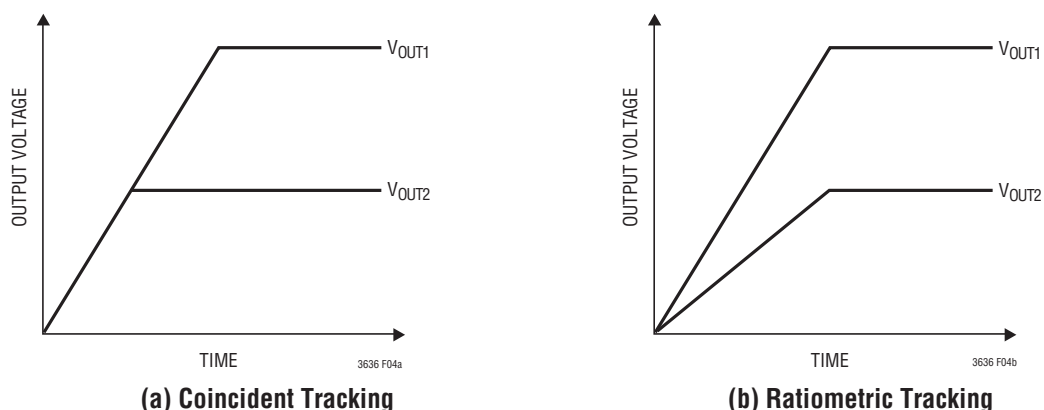


Figure 4. Two Different Modes of Output Voltage Tracking

## APPLICATIONS INFORMATION

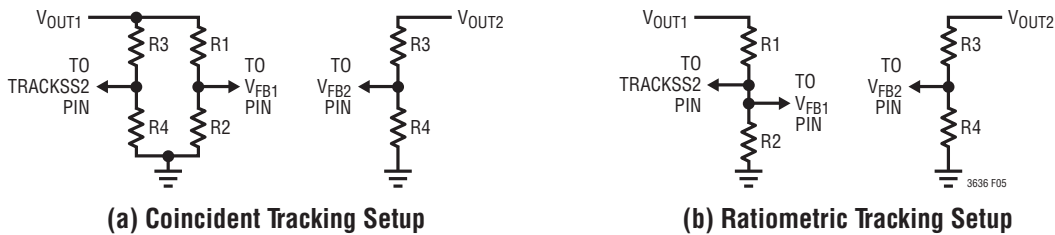


Figure 5. Setup for Coincident and Ratiometric Tracking

this tracking mode,  $V_{OUT1}$  must be set higher than  $V_{OUT2}$ . To implement the ratiometric tracking, the feedback pin of the master channel should connect to the TRACKSS pin of the slave channel (as in Figure 5b). By selecting different resistors, the LTC3636/LTC3636-1 can achieve different modes of tracking including the two in Figure 4.

Upon start-up, the regulator defaults to Burst Mode operation until the output exceeds 80% of its final value ( $V_{FB} > 0.48V$ ). Once the output reaches this voltage, the operating mode of the regulator switches to the mode selected by the MODE/SYNC pin as described above. During normal operation, if the output drops below 10% of its final value (as it may when tracking down, for instance), the regulator will automatically switch to Burst Mode operation to prevent inductor saturation and improve TRACKSS pin accuracy.

### Output Power Good

The PGOOD output of the LTC3636/LTC3636-1 is driven by a  $25\Omega$  (typical) open-drain pull-down device. This device will be turned off once the output voltage is within 5% (typical) of the target regulation point, allowing the voltage at PGOOD to rise via an external pull-up resistor. If the output voltage exits an 8% (typical) regulation window around the target regulation point, the open-drain output will pull down with  $20\Omega$  output resistance to ground, thus dropping the PGOOD pin voltage. This behavior is described in Figure 6.

A filter time of  $40\mu s$  (typical) acts to prevent unwanted PGOOD output changes during  $V_{OUT}$  transient events. As a result, the output voltage must be within the target regulation window of 5% for  $40\mu s$  before the PGOOD pin pulls high. Conversely, the output voltage must exit the 8% regulation window for  $40\mu s$  before the PGOOD pin pulls to ground.

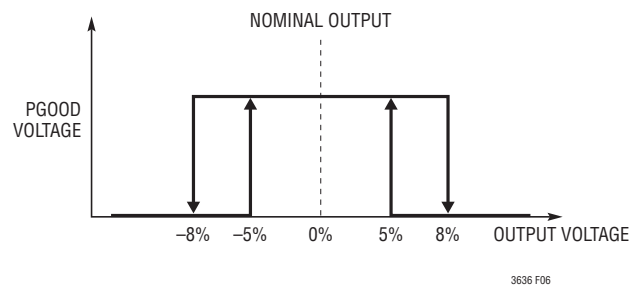


Figure 6. PGOOD Pin Behavior

### Efficiency Considerations

The percent efficiency of a switching regulator is equal to the output power divided by the input power times 100%. It is often useful to analyze individual losses to determine what is limiting the efficiency and which change would produce the most improvement. Percent efficiency can be expressed as:

$$\% \text{ Efficiency} = 100\% - (L1 + L2 + L3 + \dots)$$

where  $L1$ ,  $L2$ , etc. are the individual losses as a percentage of input power.

Although all dissipative elements in the circuit produce losses, three main sources usually account for most of the losses in LTC3636/LTC3636-1 circuits: 1)  $I^2R$  losses, 2) switching losses and quiescent power loss 3) transition losses and other losses.

1.  $I^2R$  losses are calculated from the DC resistances of the internal switches,  $R_{SW}$ , and external inductor,  $R_L$ . In continuous mode, the average output current flows through inductor  $L$  but is “chopped” between the internal top and bottom power MOSFETs. Thus, the series resistance looking into the SW pin is a function of both top and bottom MOSFET  $R_{DS(ON)}$  and the duty cycle (DC) as follows:

$$R_{SW} = (R_{DS(ON)TOP})(DC) + (R_{DS(ON)BOT})(1 - DC)$$

## APPLICATIONS INFORMATION

The  $R_{DS(ON)}$  for both the top and bottom MOSFETs can be obtained from the Typical Performance Characteristics curves. Thus to obtain  $I^2R$  losses:

$$I^2R \text{ losses} = I_{OUT}^2(R_{SW} + R_L)$$

- The internal LDO draws power from the  $V_{IN}$  input to regulate the  $INTV_{CC}$  rail. The total power loss here is the sum of the switching losses and quiescent current losses from the control circuitry.

Each time a power MOSFET gate is switched from low to high to low again, a packet of charge  $dQ$  moves from  $V_{IN}$  to ground. The resulting  $dQ/dt$  is a current out of  $INTV_{CC}$  that is typically much larger than the DC control bias current. In continuous mode,  $I_{GATECHG} = f(Q_T + Q_B)$ , where  $Q_T$  and  $Q_B$  are the gate charges of the internal top and bottom power MOSFETs and  $f$  is the switching frequency. For estimation purposes, the gate charges ( $Q_T + Q_B$ ) on each LTC3636/LTC3636-1 regulator channel are approximately 7.5nC.

To calculate the total power loss from the LDO load, simply add the gate charge current and quiescent current and multiply by the voltage applied to  $V_{IN}$ :

$$P_{LDO} = (I_{GATECHG} + I_Q) \cdot V_{IN}$$

- Other “hidden” losses such as transition loss, copper trace resistances, and internal load currents can account for additional efficiency degradations in the overall power system. Transition loss arises from the brief amount of time the top power MOSFET spends in the saturated region during switch node transitions. The LTC3636/LTC3636-1 internal power devices switch quickly enough that these losses are not significant compared to other sources.

Other losses, including diode conduction losses during dead-time and inductor core losses, generally account for less than 2% total additional loss.

### Thermal Considerations

The LTC3636/LTC3636-1 requires the ground pins to be well soldered to the PC board to provide good thermal contact. This gives the QFN package exceptional thermal properties, which is necessary to prevent excessive self-heating of the part in normal operation.

In a majority of applications, the LTC3636/LTC3636-1 does not dissipate much heat due to its high efficiency and low thermal resistance of its QFN package. However, in applications where the LTC3636/LTC3636-1 is running at high ambient temperature, high input supply voltage, high switching frequency, and maximum output current load, the heat dissipated may exceed the maximum junction temperature of the part. If the junction temperature reaches approximately 160°C, both power switches will be turned off until temperature returns to 150°C.

To prevent the LTC3636/LTC3636-1 from exceeding the maximum junction temperature of 125°C, the user will need to do some thermal analysis. The goal of the thermal analysis is to determine whether the power dissipated exceeds the maximum junction temperature of the part. The temperature rise is given by:

$$T_{RISE} = P_D \cdot \theta_{JA}$$

As an example, consider the case when one of the regulators is used in an application where  $V_{IN} = 12V$ ,  $I_{OUT} = 6A$ , frequency = 1MHz,  $V_{OUT} = 1.8V$ . From the  $R_{DS(ON)}$  graphs in the Typical Performance Characteristics section, the top switch on-resistance is nominally 36mΩ and the bottom switch on-resistance is nominally 19mΩ at 50°C ambient. The equivalent power MOSFET resistance  $R_{SW}$  is:

$$R_{DS(ON)TOP} \cdot \frac{1.8V}{12V} + R_{DS(ON)BOT} \cdot \frac{10.2V}{12V} = 21.6m\Omega$$

From the previous section’s discussion on gate drive, we estimate the total gate drive current through the LDO to be 1MHz • 7.5nC = 7.5mA, and  $I_Q$  of one channel is 0.65mA (see Electrical Characteristics). Therefore, the total power dissipated by a single regulator is:

$$\begin{aligned} P_D &= I_{OUT}^2 \cdot R_{SW} + V_{IN} \cdot (I_{GATECHG} + I_Q) \\ P_D &= (6A)^2 \cdot (0.0216\Omega) + (12V) \cdot (7.5mA + 0.65mA) \\ &= 0.874W \end{aligned}$$

Running two regulators under the same conditions would result in a power dissipation of 1.748W. The QFN 5mm × 4mm package junction-to-ambient thermal resistance,  $\theta_{JA}$ , is around 21°C/W. Therefore, the junction temperature of the regulator operating in a 50°C ambient temperature is approximately:

$$T_J = 1.748W \cdot 21^\circ C/W + 50^\circ C = 87^\circ C$$

## APPLICATIONS INFORMATION

which is below the maximum junction temperature of 125°C. With higher ambient temperatures, a heat sink or cooling fan should be considered to drop the junction-to-ambient thermal resistance.

Remembering that the above junction temperature is obtained from an  $R_{DS(ON)}$  at 50°C, we might recalculate the junction temperature based on a higher  $R_{DS(ON)}$  since it increases with temperature. Redoing the calculation assuming that  $R_{SW}$  increased 15% at 87°C yields a new junction temperature of 92°C. If the application calls for a higher ambient temperature and/or higher load currents, care should be taken to reduce the temperature rise of the part by using a heat sink or air flow.

Figure 7 is a temperature derating curve based on the DC2335 demo board (QFN package). It can be used to estimate the maximum allowable ambient temperature for given DC load currents in order to avoid exceeding the maximum operating junction temperature of 125°C.

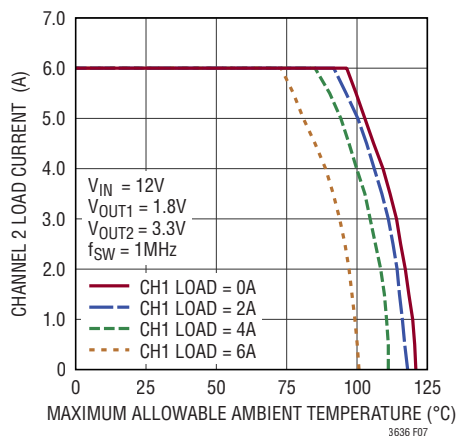


Figure 7. Temperature Derating Curve for DC2335 Demo Circuit

### Board Layout Considerations

When laying out the printed circuit board, the following checklist should be used to ensure proper operation of the LTC3636/LTC3636-1. Check the following in your layout:

1) Do the input capacitors connect to the  $V_{IN}$  and GND pins as close as possible? These capacitors provide the AC current to the internal power MOSFETs and their drivers.

- 2) The output capacitor,  $C_{OUT}$ , and inductor L should be closely connected to minimize loss. The (–) plate of  $C_{OUT}$  should be closely connected to both GND and the (–) plate of  $C_{IN}$ .
- 3) The resistive divider, (e.g. R1 to R4 in Figure 8) must be connected between the (+) plate of  $C_{OUT}$  and a ground line terminated near GND. The feedback signal  $V_{FB}$  should be routed away from noisy components and traces, such as the SW line, and its trace length should be minimized. Keep R1 and R2 close to the IC.
- 4) Keep sensitive components away from the SW pin. The  $R_T$  resistor, the compensation components, the feedback resistors, and the  $INTV_{CC}$  bypass capacitor should all be routed away from the SW trace and the inductor L.
- 5) A ground plane is preferred.
- 6) Flood all unused areas on all layers with copper in order to reduce the temperature rise of power components. These copper areas should be connected to the exposed backside of the package (GND).

Refer to Figure 9 for board layout examples.

### Design Example

As a design example, consider using the LTC3636/LTC3636-1 in an application with the following specifications:  $V_{IN(MAX)} = 13.2V$ ,  $V_{OUT1} = 1.8V$ ,  $V_{OUT2} = 3.3V$ ,  $I_{OUT(MAX)} = 6A$ ,  $I_{OUT(MIN)} = 10mA$ ,  $f = 2MHz$ ,  $V_{DROOP} \sim (5\% \cdot V_{OUT})$ . The following discussion will use equations from the previous sections.

Because efficiency is important at both high and low load current, Burst Mode operation will be utilized.

First, the correct  $R_T$  resistor value for 2MHz switching frequency must be chosen. Based on the equation discussed earlier,  $R_T$  should be 160k; the closest standard value is 162k.  $R_T$  can be tied to  $INTV_{CC}$  if switching frequency accuracy is not critical.

Next, determine the channel 1 inductor value for about 40% ripple current at maximum  $V_{IN}$ :

$$L1 = \left( \frac{1.8V}{2MHz \cdot 2.4A} \right) \left( 1 - \frac{1.8V}{13.2V} \right) = 0.32\mu H$$

## APPLICATIONS INFORMATION

A standard value of 0.33μH should work well here. Solving the same equation for channel 2 results in a 0.47μH inductor.

C<sub>OUT</sub> will be selected based on the charge storage requirement. For a V<sub>DRROP</sub> of 90mV for a 6A load step:

$$C_{OUT1} \approx \frac{3 \cdot \Delta I_{OUT}}{f \cdot V_{DRROP}} = \frac{3 \cdot (6A)}{(2MHz)(90mV)} = 100\mu F$$

Two 47μF ceramic capacitor should be used for channel 1. Solving the same equation for channel 2 (using 5% of V<sub>OUT</sub> for V<sub>DRROP</sub>) results in 55μF of capacitance (47μF is the closest standard value).

C<sub>IN</sub> should be sized for a maximum current rating of:

$$I_{RMS} = 6A \sqrt{\frac{1.8V(13.2V - 1.8V)}{13.2V}} = 2.1A$$

Solving this equation for channel 2 results in an RMS input current of 2.8A. Decoupling each V<sub>IN</sub> input with a 47μF ceramic capacitor should be adequate for most applications.

Lastly, the feedback resistors must be chosen. Picking R1 and R3 to be 13.7k, R2 and R4 are calculated to be:

$$R2 = (13.7k) \cdot \left( \frac{1.8V}{0.6V} - 1 \right) = 27.4k$$

$$R4 = (13.7k) \cdot \left( \frac{3.3V}{0.6V} - 1 \right) = 61.9k$$

The final circuit is shown in Figure 8.

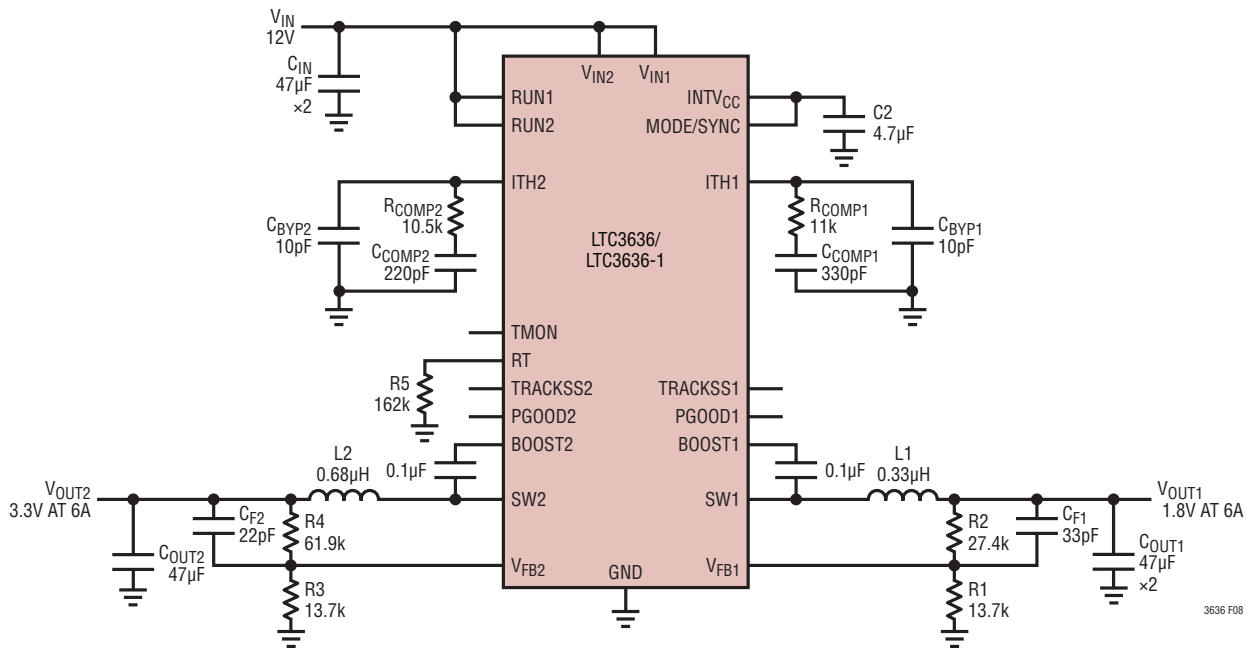
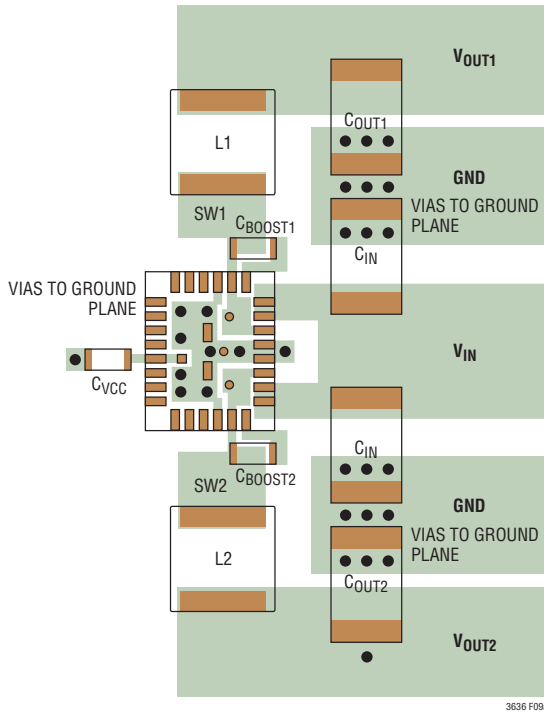


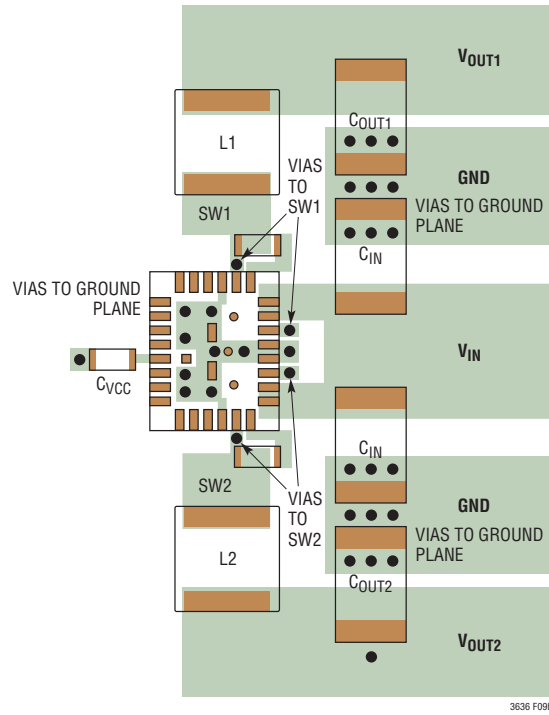
Figure 8. Design Example Circuit

# APPLICATIONS INFORMATION



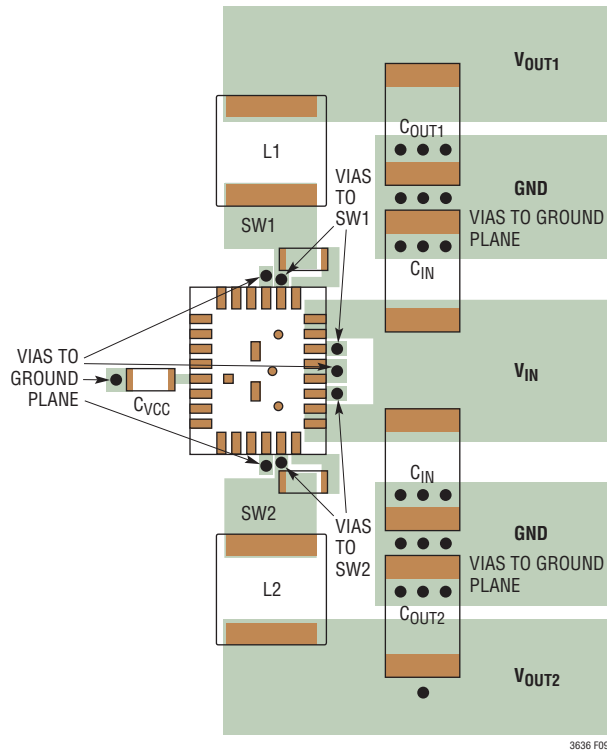
3636 F09a

(a) Example of Power Component Layout for QFN Package



3636 F09b

(b) Alternative Layout with GNDT Pins Connected to GND



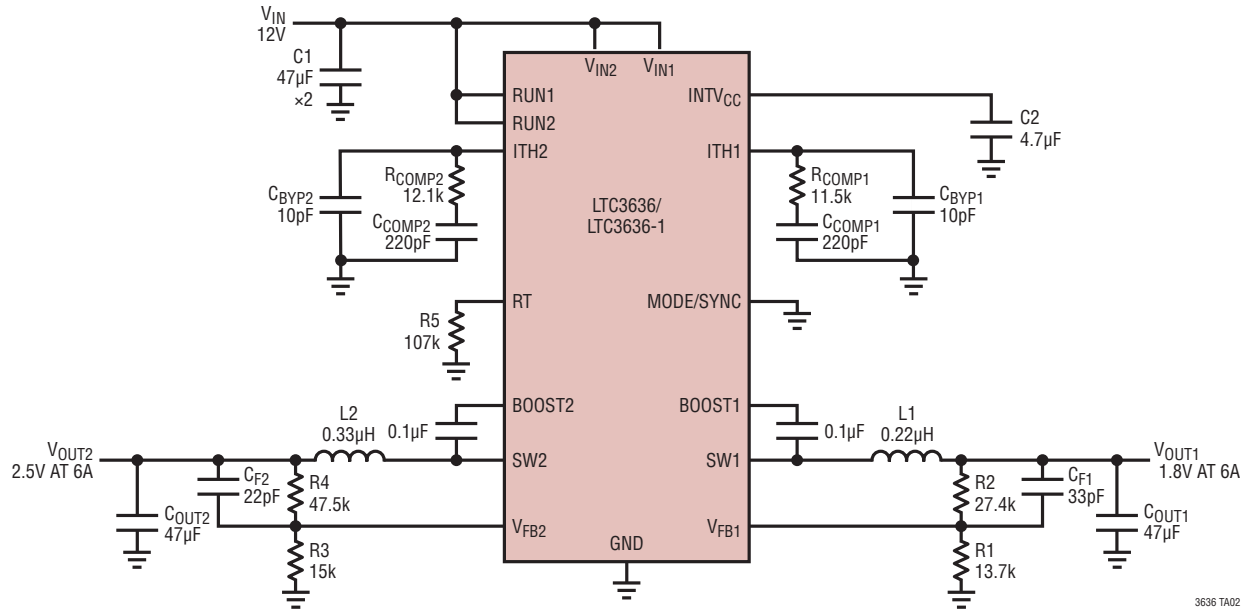
3636 F09c

(c) Alternative Layout with Pins 29 to 34 Unconnected

Figure 9. Recommended PCB Layouts

## TYPICAL APPLICATIONS

### 1.8V/2.5V 3MHz Buck Regulator

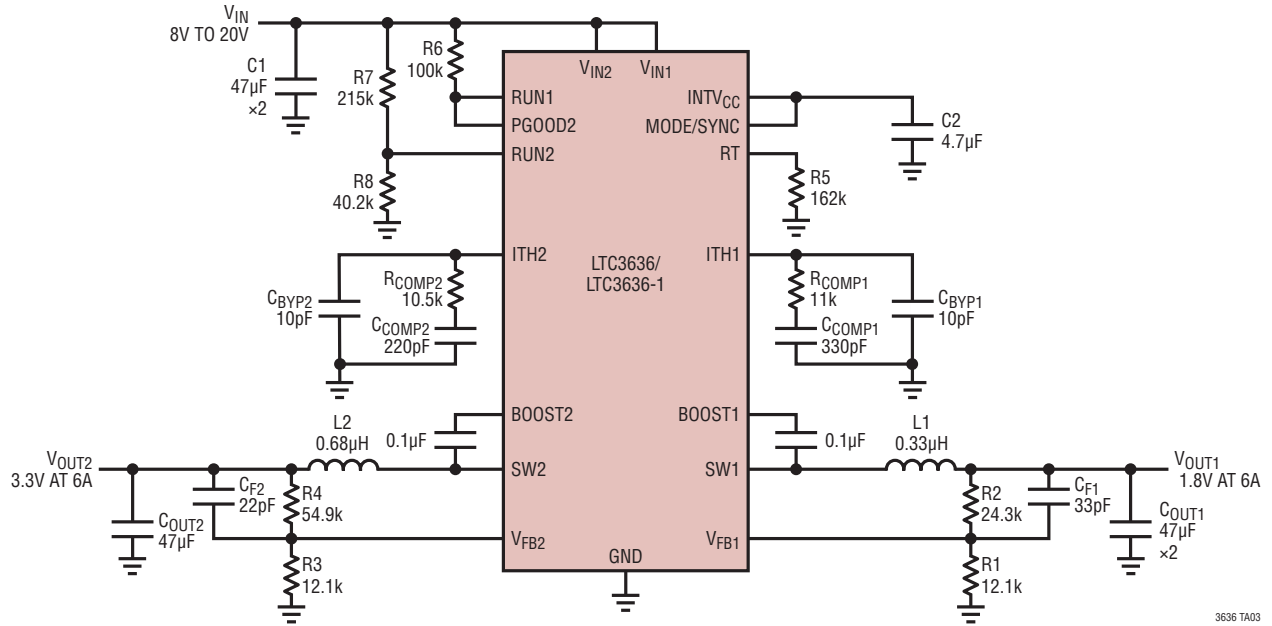


3636 TA02



TYPICAL APPLICATIONS

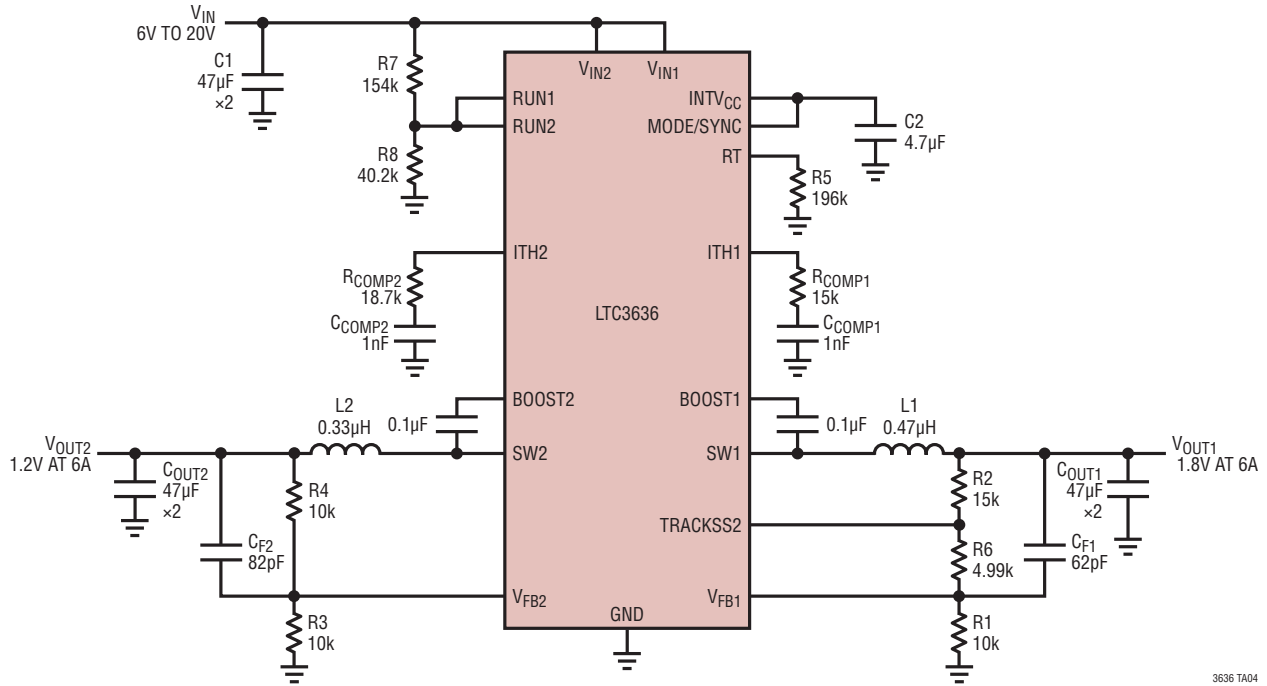
3.3V/1.8V Sequenced Regulator with 8V Input UVLO ( $V_{OUT1}$  Enabled After  $V_{OUT2}$ )



3636 TA03

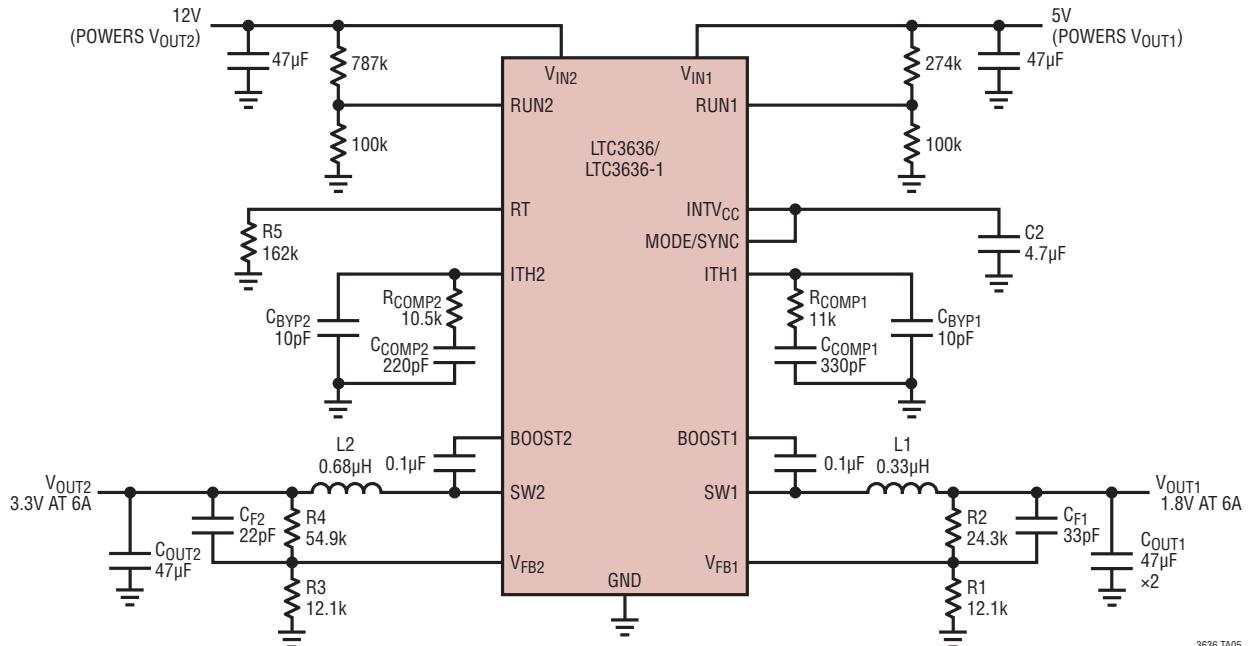
## TYPICAL APPLICATIONS

### 1.2V/1.8V Buck Regulator with Coincident Tracking and 6V Input UVLO



3636 TA04

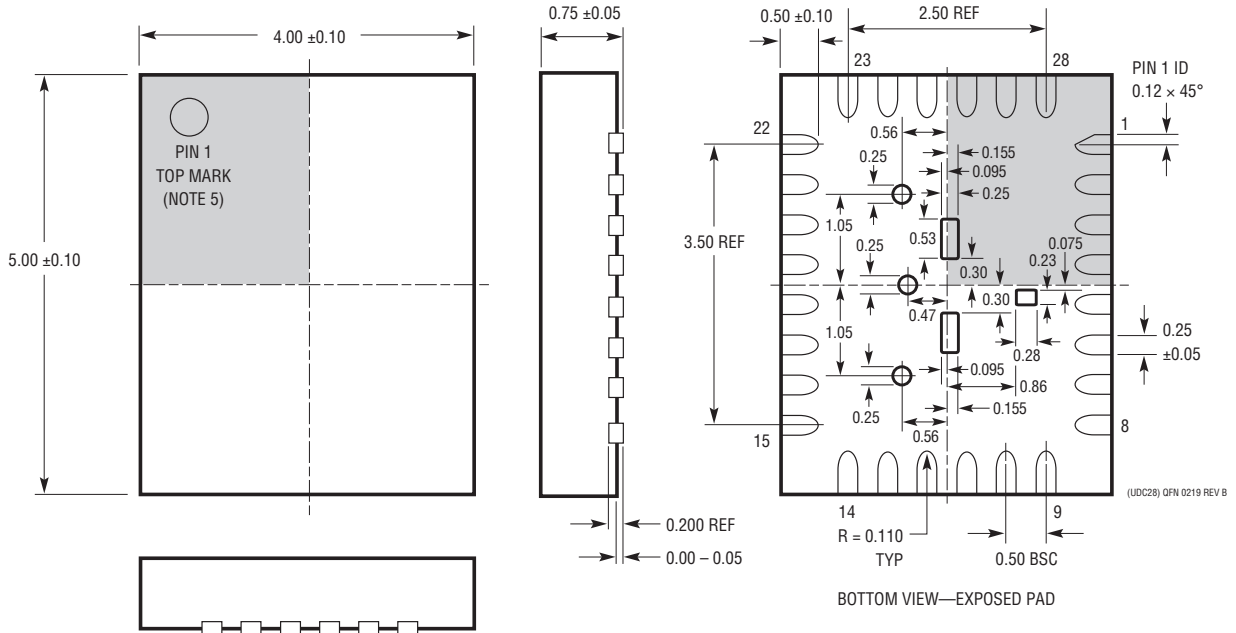
### Dual Output Regulator from Multiple Input Supplies (Powers VIN1 Before VIN2)



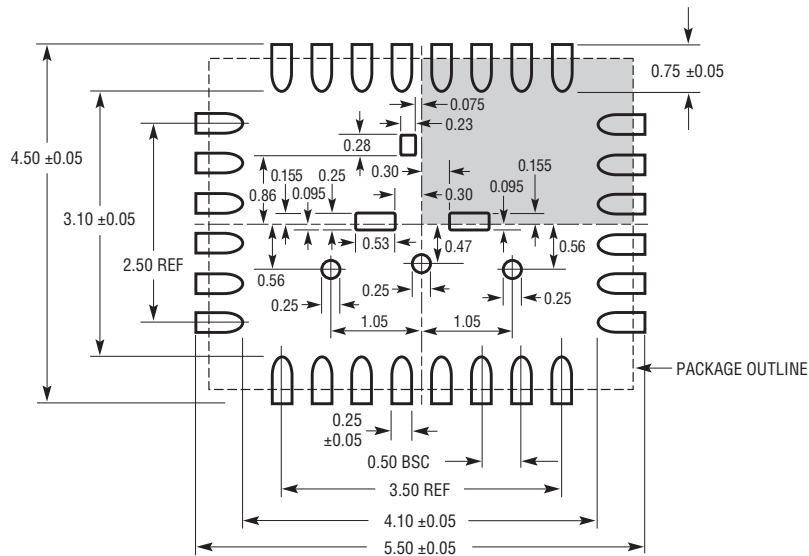
3636 TA05

# PACKAGE DESCRIPTION

**UFD Package**  
**28-Lead Plastic QFN (4mm × 5mm)**  
 (Reference LTC DWG # 05-08-1538 Rev B)  
**Exposed Pad Variation AA**



- NOTE:
1. DRAWING IS NOT A JEDEC PACKAGE OUTLINE
  2. DRAWING NOT TO SCALE
  3. ALL DIMENSIONS ARE IN MILLIMETERS
  4. DIMENSIONS OF EXPOSED PAD ON BOTTOM OF PACKAGE DO NOT INCLUDE MOLD FLASH. MOLD FLASH, IF PRESENT, SHALL NOT EXCEED 0.15mm ON ANY SIDE
  5. SHADED AREA IS ONLY A REFERENCE FOR PIN 1 LOCATION ON THE TOP AND BOTTOM OF PACKAGE



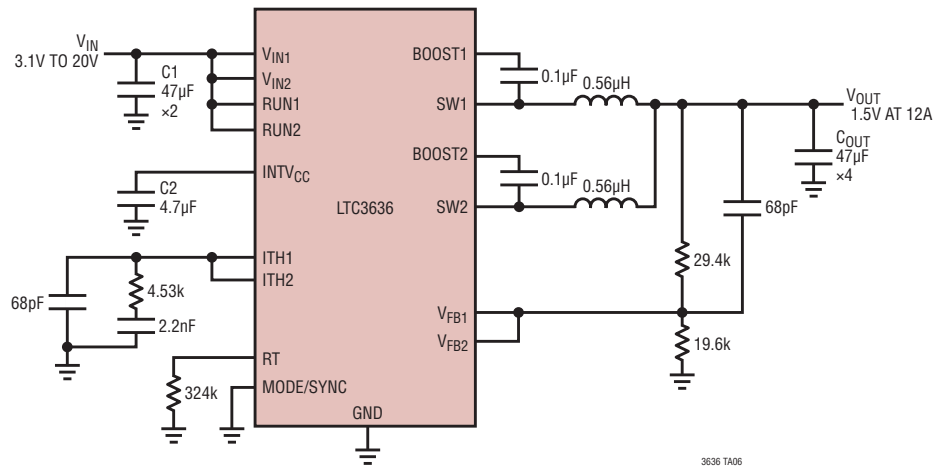
RECOMMENDED SOLDER PAD PITCH AND DIMENSIONS  
 APPLY SOLDER MASK TO AREAS THAT ARE NOT SOLDERED

**REVISION HISTORY**

REV	DATE	DESCRIPTION	PAGE NUMBER
A	07/17	Revised thermal resistance values in Pin Configuration. Revised Thermal Considerations section.	2 19, 20
B	02/18	Clarified Minimum On-Time.	3
C	10/19	Updated Electrical Characteristics table and Note 2. Edited Dual-Phase Single $V_{OUT}$ Operation section. Corrected TDK inductor part number.	3, 4 12 13
D	06/21	Added AEC-Q100 Qualified for automotive applications. Added W flow part numbers and footnote.	1 2
E	11/22	AEC-Q100 Qualified for Automotive Applications Added Maximum Reflow Temperature Added LQFN thermal ratings Updated the Order Information Updated INTVCC Voltage and Vfb During Tracking in Electrical Characteristics table	1 2 2 2 3, 4

## TYPICAL APPLICATION

## 12A 1MHz 2-Phase Buck Regulator



3636 TA06

## RELATED PARTS

PART NUMBER	DESCRIPTION	COMMENTS
<a href="#">LTC3633/</a> <a href="#">LTC3633A</a>	15V/20V, Dual 3A ( $I_{OUT}$ ), 4MHz Synchronous Step-Down DC/DC Converter	95% Efficiency, $V_{IN}$ : 3.6V to 15V, $V_{OUT(MIN)}$ = 0.6V, $I_Q$ = 500µA, $I_{SD}$ < 13µA, 4mm × 5mm QFN-28, TSSOP-28E
<a href="#">LTC3605/</a> <a href="#">LTC3605A</a>	15V/20V, 5A ( $I_{OUT}$ ), 4MHz, Synchronous Step-Down DC/DC Converter	95% Efficiency, $V_{IN}$ : 4V to 15V, $V_{OUT(MIN)}$ = 0.6V, $I_Q$ = 2mA, $I_{SD}$ < 15µA, 4mm × 4mm QFN-24
<a href="#">LTC3603</a>	15V, 2.5A ( $I_{OUT}$ ), 3MHz, Synchronous Step-Down DC/DC Converter	95% Efficiency, $V_{IN}$ : 4.5V to 15V, $V_{OUT(MIN)}$ = 0.6V, $I_Q$ = 75µA, $I_{SD}$ < 1µA, 4mm × 4mm QFN-20, MSOP-16E
<a href="#">LTC3601</a>	15V, 1.5A ( $I_{OUT}$ ), 4MHz, Synchronous Step-Down DC/DC Converter	95% Efficiency, $V_{IN}$ : 4.5V to 15V, $V_{OUT(MIN)}$ = 0.6V, $I_Q$ = 300µA, $I_{SD}$ < 1µA, 4mm × 4mm QFN-20, MSOP-16E
<a href="#">LTC3604</a>	15V, 2.5A ( $I_{OUT}$ ), 4MHz, Synchronous Step-Down DC/DC Converter	95% Efficiency, $V_{IN}$ : 3.6V to 15V, $V_{OUT(MIN)}$ = 0.6V, $I_Q$ = 300µA, $I_{SD}$ < 15µA, 3mm × 3mm QFN-16, MSOP-16E
<a href="#">LTC3626</a>	20V, 2.5A Synchronous Monolithic Step-Down Regulator with Current and Temperature Monitoring	95% Efficiency, $V_{IN}$ : 3.6V to 20V, $V_{OUT(MIN)}$ = 0.6V, $I_Q$ = 300µA, $I_{SD}$ < 15µA, 3mm × 4mm QFN-20
<a href="#">LTC7124</a>	17V, Dual 3.5A Synchronous Step-Down Regulator with Ultralow Quiescent Current	95% Efficiency, $V_{IN}$ : 3.1V to 17V, $V_{OUT(MIN)}$ = 0.6V, $I_Q$ < 8µA (Both Channels Enabled), $I_{SD}$ < 1µA, 3mm × 5mm QFN-24 Package
<a href="#">LTC3622</a>	17V, Dual 1A Synchronous Step-Down Regulator with Ultralow Quiescent Current	95% Efficiency, $V_{IN}$ : 2.7V to 17V, $V_{OUT(MIN)}$ = 0.6V, $I_Q$ < 5µA (Both Channels Enabled), $I_{SD}$ < 1µA, 3mm × 4mm DFN-14 and MSOP-16 Packages