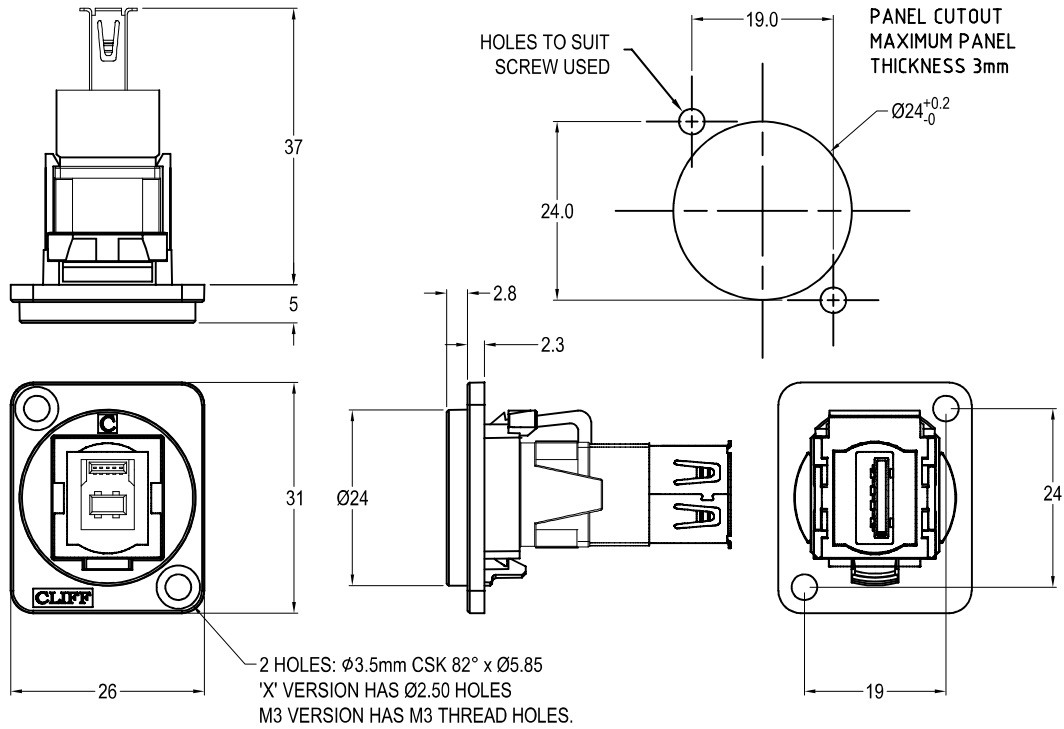




USB3.0 B-A FEEDTHROUGH CONNECTOR



Feedthrough Features

- Fits standard XLR $\text{Ø}24\text{mm}$ cutout.
- No soldering or punch termination. Use standard cable for each connector style.
- Front or rear mounted.
- Low rear profile

General:

Please note: Functionality is affected by cable quality, length and cable wiring configuration.

VARIANTS

Part No.

- CP30206N** USB3.0 B-A Black plastic frame, CSK holes
- CP30206NM** USB3.0 B-A Nickel plated metal frame, CSK holes
- CP30206NM3** USB3.0 B-A Nickel plated metal frame, M3 holes
- CP30206NMB** USB3.0 B-A Black metal frame, CSK holes
- CP30206NM3B** USB3.0 B-A Black metal frame, M3 holes
- CP30206NX** USB3.0 B-A Black plastic frame, PLAIN holes

Material:

1. Insert: ABS UL94 HB
2. Plastic Frame: Polyamide UL94 V2
3. Metal Frame: Diecast, Black or Nickel plated
4. Shell: Nickel plated steel
5. Contacts: Gold Plated

Notes:

1. Voltage rating: 30V ac
2. Current rating: 1.8 A max
3. Contact resistance: 50m Ω max
4. Insulation resistance: 20M Ω min
5. Dielectric withstanding voltage: 500V AC
6. Operating Temperature: -20°C to 50°C