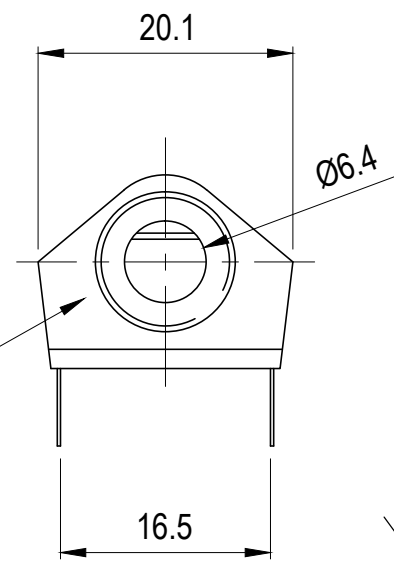
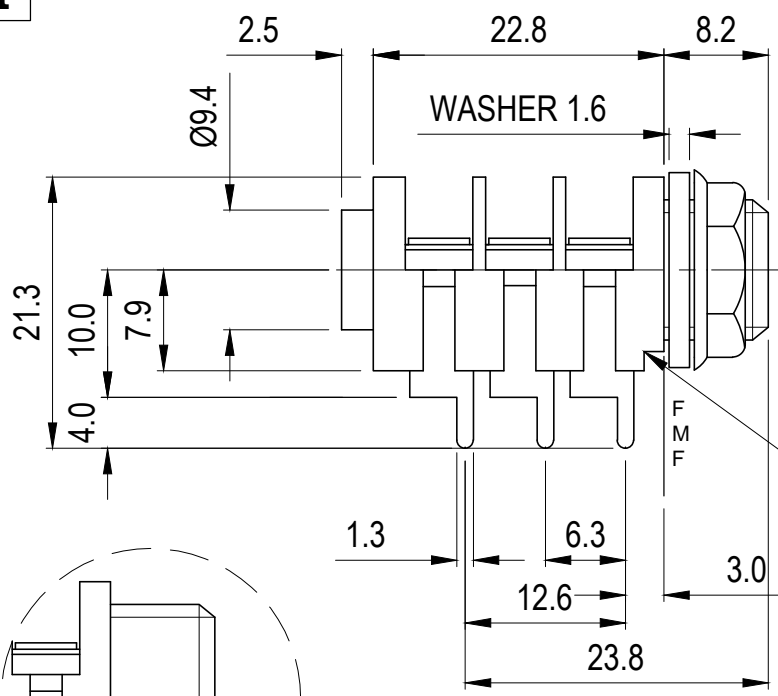
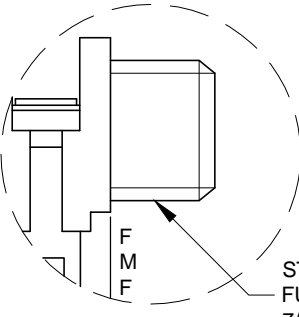


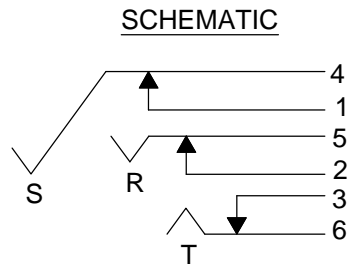
ISS.	AMEND	DATE
1	ISSUED	25/09/14



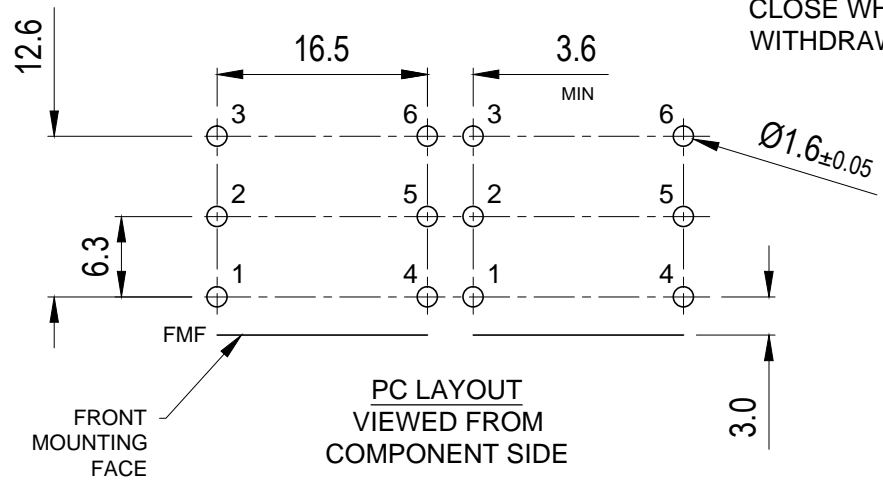
THIS RECESS IS TO FACILITATE MOUNTING IN FLOWSOLDER JIGS



STANDARD NOSE
FULL THREAD
7/16" x 20 TPI UNF



SWITCH CONTACTS OPEN WHEN PLUG IS INSERTED, CLOSE WHEN PLUG IS WITHDRAWN.



NOTES

1. Maximum panel thickness 4.6mm.
2. Supplied with nut + fibre washer assembled.

SPECIFICATION

Withstand voltage:	2000V DC Min.
Maximum Current:	5 amps
Temperature Rating:	-10° C to +70° C
Life (Minimum):	10,000+ Operations
Nominal Contact Resistance:	<50mΩ

RoHS
COMPLIANT

TOLERANCE

NO DEC. PLACE	±
1 DEC. PLACE	±
2 DEC. PLACE	±
HOLE Ø	±
ANGLES	±
UNLESS OTHERWISE STATED	

1st DRAWN: 11/01/1991

Cliff Electronic Components Ltd.
76 Holmethorpe Avenue, Holmethorpe Industrial Estate,
Redhill, Surrey, RH1 2PF, England, UK
Tel: 01737-771375 Fax: 01737-766012 Website: www.cliffuk.co.uk

DIMENSIONS IN MILLIMETERS UNLESS OTHERWISE STATED. WORK TO DIMENSIONS. REMOVE ALL BURRS. IF IN DOUBT ASK.

3rd ANGLE PROJECTION:

DO NOT SCALE

MATERIAL: NYLON / NiAg / FIBRE

TITLE: S2/BBB/PCA JACK SOCKET - ASSEMBLED

FINISH: AS MOULDED / MICROFINISH

DRWG. No. **CL1232A** FORM: A4DRWGH

THE CONTENTS OF THIS DOCUMENT MUST NOT BE COPIED OR DISCLOSED TO A 3rd PARTY WITHOUT WRITTEN PERMISSION OF CLIFF UK. © 1991

DRAWN: TJO

APPROVED: DPJ