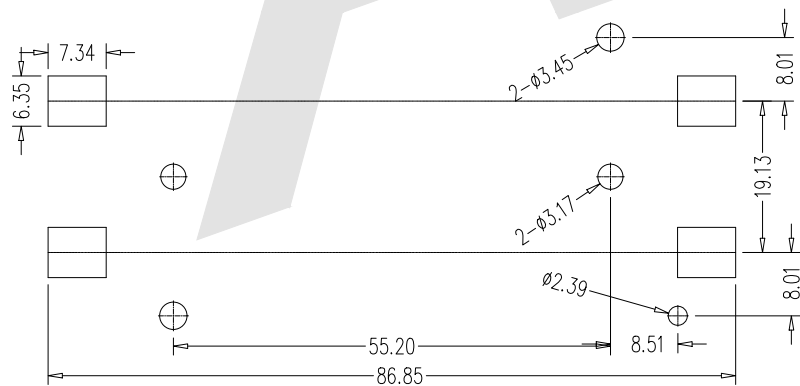
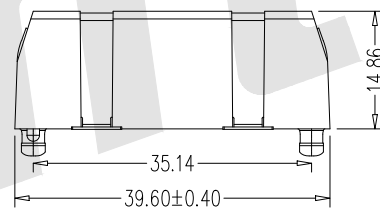
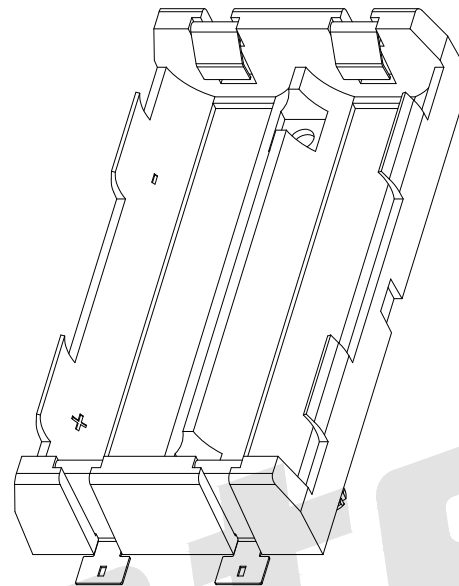
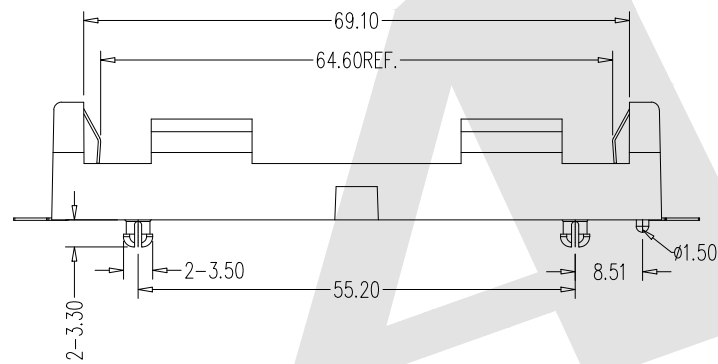
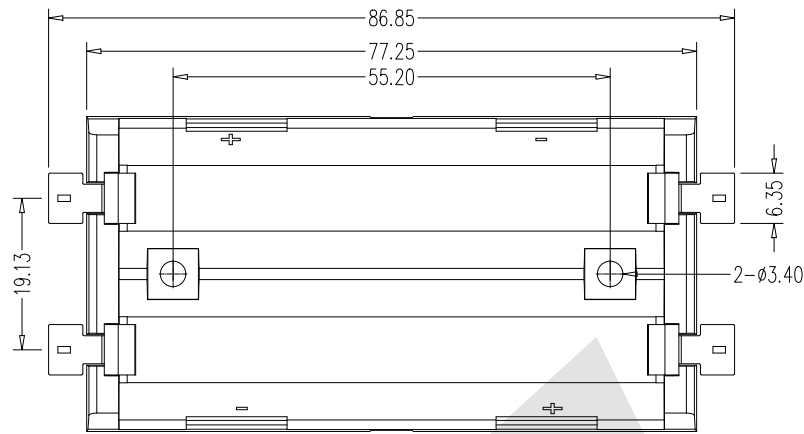


HSF



ROHS



NOTES说明:

1. BASE 胶芯:

MAT'L 材质: HEAT RESISTANCE NYLON 耐热尼龙
STANYL 46 OR EQUIVALENT PA46 或等效材质

2. CONTACT 端子:

MAT'L 材质: .012 [0.30] THK STAINLESS STEEL
0.3mm 厚不锈钢

BBC - M - G0 - A - 18650-048

① ② ③ ④ ⑤

① BBC: Battery Holder 电池盒

② Apperance for the product 连接形式

M: SMT

③ Contact Plating 端子电镀

SI: Tin NICKEL Plated 锡镍合金 G2: 5U" Gold 金

SN: Tin 锡 G3: 10U" Gold 金

G0: Gold flash 普金 G4: 15U" Gold 金

G1: 3U" Gold 金 G5: 30U" Gold 金

④ Packing method 包装方式

A: Tray packing 吸塑盒装

B: BAG 袋装

⑤ Product number 产品编号
18650-048

Unless Otherwise specified tolerance
X.±0.35 X.XX:±0.20
X.X:±0.25 X.XXX:±0.15

SCALE: As Shown UNIT: mm
DRAW ZLA DATE 04/07/2023
CHECK BobYang DATE 04/07/2023

VER./版本号 A0 3rd ANGLE PROJECTION

Antenk® ANTENK ELECTRONICS CO.,LTD
Http://www.antenk.com
E-mail:sales@antenk.com

TITLE: Dual Battery Holder For 18650 SMT

DRAWING NO: BBC-M-G0-A-18650-048

PRODUCT NO: BBC-M-G0-A-18650-048

MK/标记

DESCRIPTION/修订内容

DATE/日期(M/D/Y)