

## 1.2MHZ, 26V Step-up DC/DC Converter

### GENERAL DESCRIPTION

The XR3403 is a high frequency, high efficiency DC to DC converter with an integrated 3A, 0.1Ω power switch capable of providing an output voltage up to 26V. The fixed 1.2MHz allows the use of small external inductions and capacitors and provides fast transient response. It integrates Soft start, Comp., only need few components outside.

It can be adjusted SW current limit by one resistor or one analog voltage.

### FEATURES

- 2.3V to 6V input voltage Rangel
- Efficiency up to 96%
- 26V Boost converter with adjusted switch current
- 1.2Mhz fixed Switching Frequency
- Integrated soft-start
- Adjustable current limit
- Thermal Shutdown
- Under voltage Lockout
- SOT23-6 Package

### APPLICATIONS

- Handheld Devices
- GPS Receiver
- Digital Still Camera
- Portable Applications
- DSL Modem
- PCMCIA Card
- TFT LCD Bias Supply

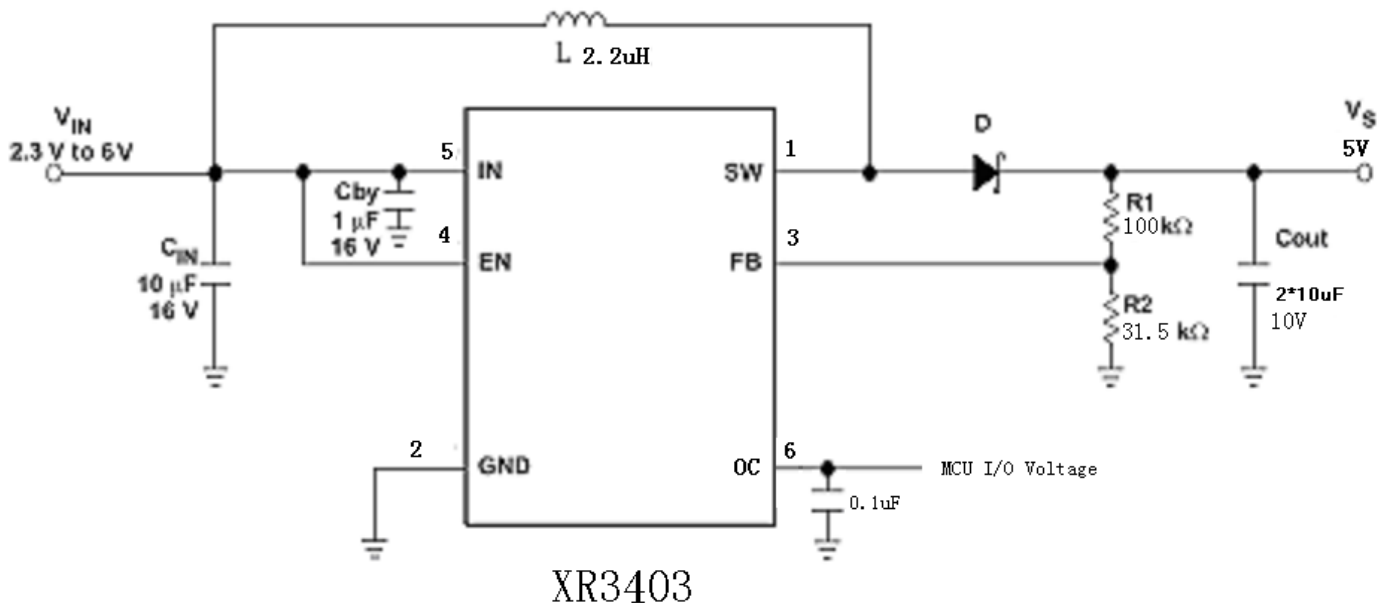


Figure 1. Typical Application Circuit1

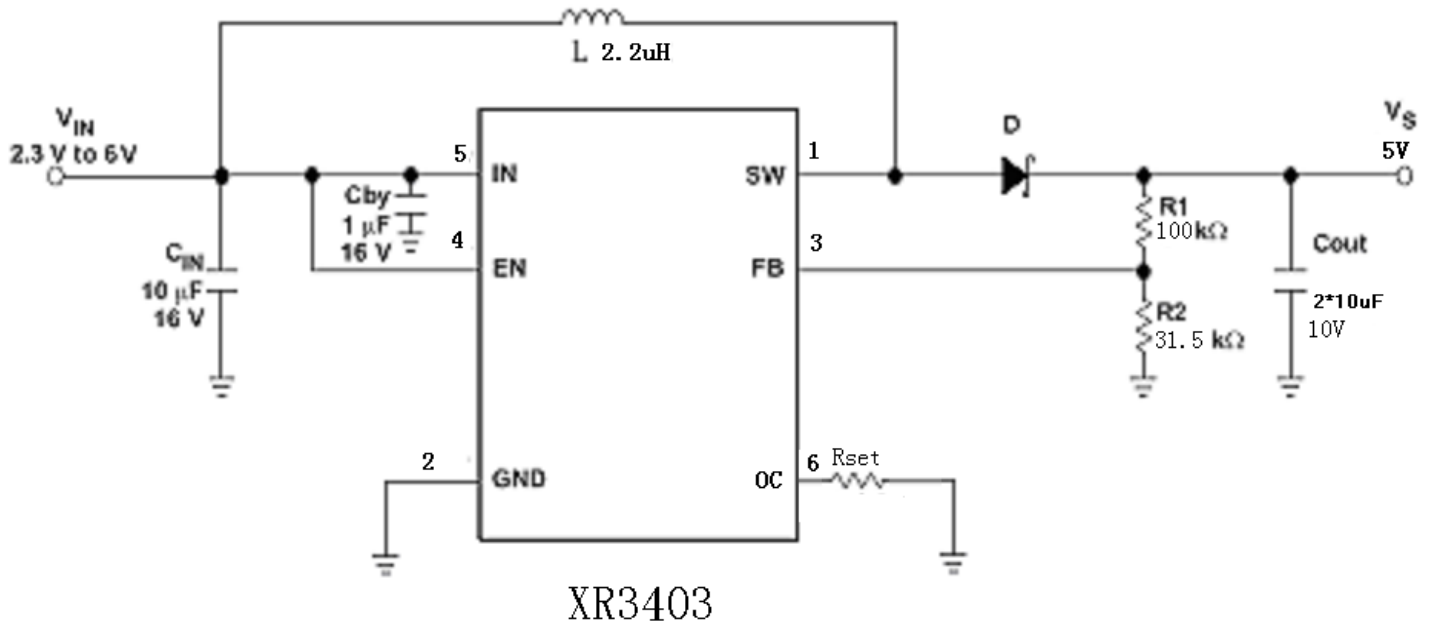


Figure 2. Typical Application Circuit2

## ORDERING INFORMATION

PART NUMBER	TEMP RANGE	SWICHING FREQUENCY	OUTPUT VOLTAGE (V)	ILIM (A)	PACKAGE	PINS
XR3403	-40°C to 85°C	1.2MHZ	ADJ	ADJ	SOT23-6	6

## PIN CONFIGURATION

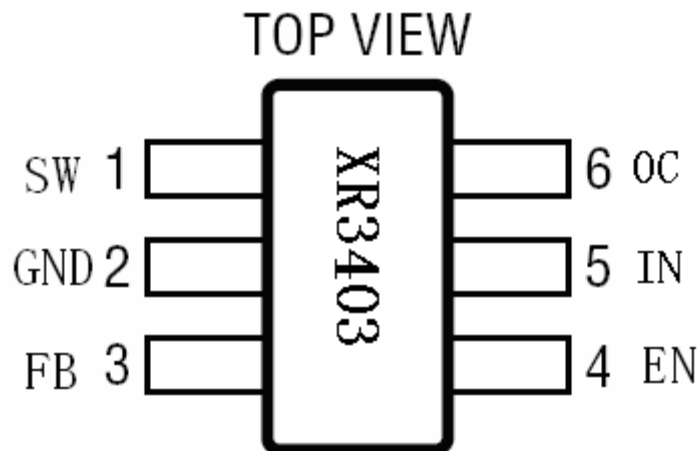


Figure 3. PIN Configuration

## PIN DESCRIPTION

PIN NUMBER	PIN NAME	PIN DESCRIPTION
1	SW	Switch pin
2	GND	Ground
3	FB	Feedback pin
4	EN	Shutdown control input., Connect this pin to logic high level to enable the device
5	IN	Input power supply pin
6	OC	SW current limit setting pin, Set current limit by Rset or analog voltage

## ABSOLUTE MAXIMUM RATINGS

(Note: Do not exceed these limits to prevent damage to the device. Exposure to absolute maximum rating conditions for long periods may affect device reliability.)

PARAMETER	VALUE	UNIT
Supply Voltage $V_{IN}$	-0.3 to 6.5	V
FB, EN Voltage	-0.3 to $V_{IN}+0.3$	V
SW Voltage	$V_{in}+0.3$ to 28V	V
Operating Ambient Temperature	-40 to 85	°C
Maximum Junction Temperature	150	°C
Storage Temperature	-55 to 150	°C
Lead Temperature (Soldering, 10 sec)	300	°C

## ELECTRICAL CHARACTERISTICS

( $V_{IN} = 3.6V$ ,  $T_A = 25^\circ C$  unless otherwise specified)

PARAMETER	SYMBOL	TEST CONDITIONS	MIN	TYP	MAX	UNIT
Input Voltage Range	$V_{IN}$		2.3		6.0	V
Boost output voltage range	$V_{out}$		26			V
UVLO Threshold	$V_{UVLO}$	$V_{HYSTERESIS} = 100mV$	2.1	2.2	2.3	V
Operating Supply Current	$I_{SUPPLY}$	$V_{FB} = 1.3V$ , $EN = V_{in}$ , $I_{Load} = 0$		75	135	$\mu A$
Shutdown Supply Current		$V_{EN} = 0V$ , $V_{IN} = 4.2V$		0.1	1	
Regulated Feedback Voltage	$V_{FB}$		1.188	1.2	1.212	V

Peak Inductor Current limit (N-MOSFET Current limit)	$I_{lim}$	Voc=0.65V Vin=3.6V Vout=5V	0.8	1	1.2	A
Peak Inductor Current limit (N-MOSFET Current limit)	$I_{lim}$	Voc=0.85V Vin=3.6V Vout=5V	1.55	1.85	2.05	A
Peak Inductor Current limit (N-MOSFET Current limit)	$I_{lim}$	Rset=150K Vin=3.6V Vout=5V	0.8	1	1.2	A
Peak Inductor Current limit (N-MOSFET Current limit)	$I_{lim}$	Rset=500K Vin=3.6V Vout=5V	2.35	2.7	3.05	A
Oscillator Frequency	$F_{osc}$		0.9	1.2	1.5	MHz
Rds(ON) of N-channel FET		$I_{SW} = -100mA$		0.1	0.2	Ohm
Enable Threshold		$V_{IN} = 2.3V$ to 5.5V	0.3	1	1.5	V
Enable Leakage Current			-0.1		0.1	$\mu A$
SW Leakage Current		$V_{EN} = 0V, V_{SW} = 0V$ or 5V, $V_{IN} = 5V$			1	$\mu A$

## DETAILED DESCRIPTION

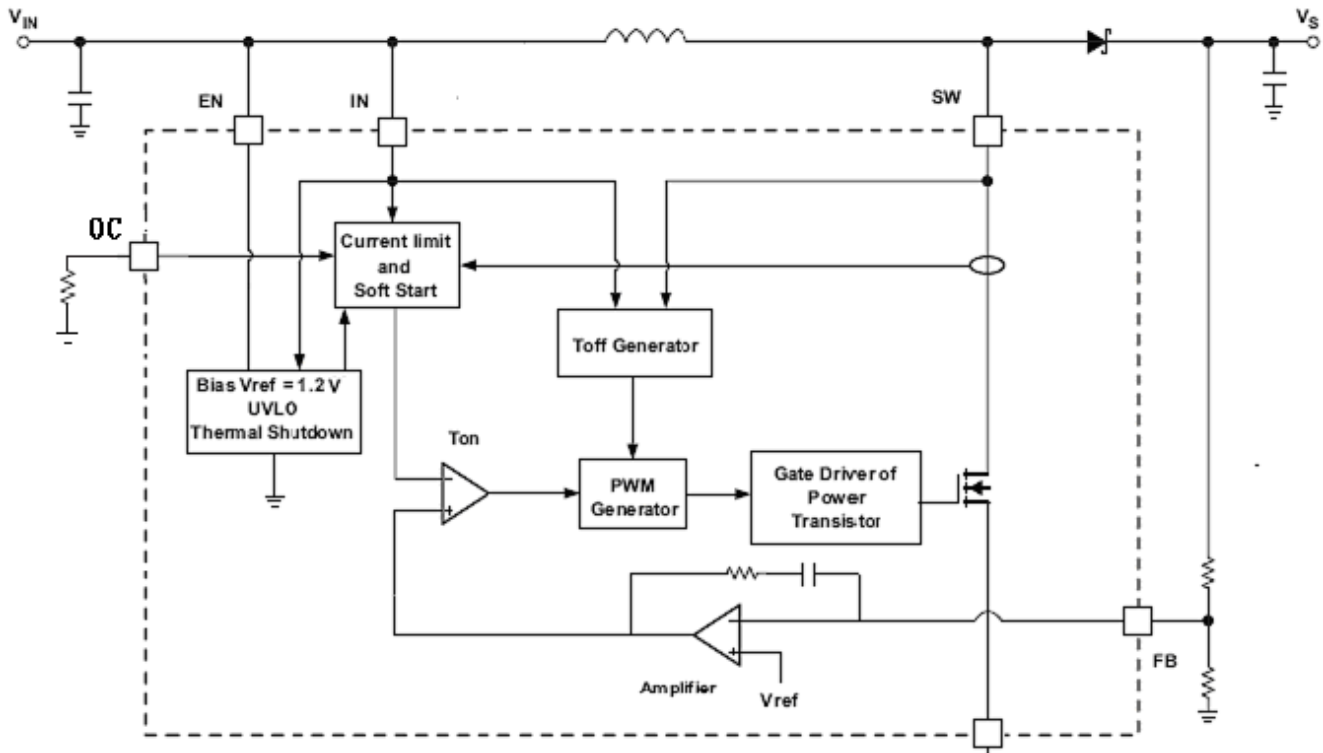


Figure 4. Functional Block Diagram

## FUNCTIONAL DESCRIPTION

### NORMAL OPERATION

The boost converter is designed for output voltage up to 26V with a switch MAX peak current limit of 4 A. The device, which operates in a current mode scheme with quasi-constant frequency, is externally 1.2MHz and the minimum input voltage is 2.3 V. To control the inrush current at start-up a soft-start pin is available.

During the on-time, the voltage across the inductor causes the current in it to rise. When the current reaches a threshold value set by the internal GM amplifier, the power transistor is turned off, the energy stored into the inductor is then released and the current flows through the Schottky diode towards the output of the boost converter. The off-time is fixed for a certain  $V_{in}$  and  $V_s$ , and therefore maintains the same frequency when varying these parameters.

However, for different output loads, the

frequency may slightly change due to the voltage drop across the  $R_{dson}$  of the power transistor which will have an effect on the voltage across the inductor and thus on  $T_{on}$  ( $T_{off}$  remains fixed). Some slight frequency changes might also appear with a fixed output load due to the fact that the output voltage  $V_s$  is not sensed directly but via the SW Pin, which affects accuracy.

Because of the quasi-constant frequency behavior of the device, the XR3403 eliminates the need for an internal oscillator and slope compensation, which provides better stability for the system over a wide of input and output voltages range, and more stable and accurate current limiting operation compared to boost converters operating with a conventional PWM scheme. The XR3403 topology has also the benefits of providing very good load and line regulations, and excellent load transient response.

## THERMAL SHUTDOWN

A thermal shutdown is implemented to prevent damages due to excessive heat and power dissipation. Typically the thermal shutdown threshold is 150°C. When the thermal shutdown is triggered the device stops switching until the temperature falls below typically 136°C. Then the device starts switching again.

## UNDERVOLTAGE LOCKOUT (UVLO)

To avoid mis-operation of the device at low input voltages an under voltage lockout is included that disables the device, if the input voltage falls below 2.2V

## APPLICATION INFORMATION

### INDUCTOR SELECTION

In normal operation, the inductor maintains continuous current to the output. The inductor current has a ripple that is dependent on the inductance value. The high inductance reduces the ripple current.

Selected inductor by actual application:

<i>Manufacturer</i>	<i>Part Number</i>	<i>Inductance(uH)</i>	<i>DRC max (Ohms)</i>	<i>Dimensions L*W*H(mm3)</i>
Murata	LQH44PN	2.2	0.049	4*4*1.7
		3.3	0.065	
		4.7	0.08	
		10	0.16	
	LQH5BP	2.2	0.030	5*5*2
		3.3	0.044	
		4.7	0.058	
		10	0.106	
TDK	SPM6530T	2.2	0.017	7.1*6.5*3
		3.3	0.027	
		4.7	0.036	
	VLP6045LT	2.2	0.020	6*6*4.5
		3.3	0.025	
		4.7	0.029	
		10	0.055	
	WURTH	74437324022	2.2	0.061
744777004		2.2	0.061	7.3*7.3*4.5
		4.7	0.025	

**Table 1. Recommend Surface Mount Inductors**

If output voltage is 5V , you can use 2.2uH~ 4.7uH, If output voltage is 12V, 4.7uH~ 10uH is OK , if 24V ,maybe need 10uH

Normal application: Input 3.3V (3.6V or 4.2V) to Output 5V 9V 12V 24V ;

Input 5V to Output 9V 12V 24V

Notes : Please select inductor according to **I in**. The IL need to be **1.5~2\*I in**. For getting higher efficiency, need to use low DRC inductors.

## INPUT CAPACITOR SELECTION

The input capacitor reduces input voltage ripple to the converter, low ESR ceramic capacitor is highly recommended. For most applications, a 10uF capacitor is used. The input capacitor should be placed as close as possible to VIN and GND. Such as Murata GRM21BR60J106 or TDK C3216X5R1A106M

## OUTPUT CAPACITOR SELECTION

A low ESR output capacitor is required in order to maintain low output voltage ripple. In the case of ceramic output capacitors, capacitor ESR is very small and does not contribute to the ripple, so a lower capacitance value is acceptable when ceramic capacitors are used. A 10uF, 22uF or two 10uF ceramic output capacitor is suitable for most applications. Such as Murata GRM21BR60J226\ GRM21BR60J106 or TDK C3216X5R1A226M\ C3216X5R1A106M

## OUTPUT VOLTAGE PROGRAMMING

In the adjustable version, the output voltage is set by a resistive divider according to the following equation:

$$R_1 = R_2 \times \left( \frac{V_{OUT}}{1.2} - 1 \right)$$

Typically choose R2=10K and determine R1 from the following equation:

## OC SETTING1( SETTING CURRENT LIMIT BY ANALOG VOLTAGE)

XR3403 can be adjusted SW current limit by one analog volatage connected with OC pin just like Typical Application Circuit1. The setting sheet is as below( Vin=3.6V Vout=5V )---Only list the typical Ilim number , the actual data may be in +/- 20% above them because of some discrete data from IC and the analog voltage.

One 0.1uF capacitor need to be placed close to OC pin.

Please do not let it float.

Analog Volatge ( V )	Ilim(typ)
1.16V	3.10A
1.00V	2.80A
0.90V	2.10A
0.85V	1.85A

0.80V	1.60A
0.75V	1.42A
0.70V	1.21A
0.65V	1.00A
0.60V	0.75A
0.55V	0.60A
0.50V	0.35A

. For 3V~4.2Vin to 5V 1A out , 0.85V~0.90V is suitable.

If the current limit exceeds 2A, maybe the IC will be go in to over temperature protection status without good layout.

## OC SETTING2( SETTING CURRENT LIMIT BY ONE RESISTOR)

XR3403 can be adjusted SW current limit by one resistor connected with OC pin just like Typical Application Circuit2 。 The setting sheet is as below( Vin=3.6V Vout=5V )---Only list the typical Ilim number , the actual data may be in +/- 20% above them because of some discrete data from IC and resistor.

Please do not let it float.

Rset ( ohm )	Ilim(typ)
500K	2.7A
400K	2.5A
300K	2.3A
250K	2.1A
200K	1.5A
180K	1.3A
150K	1A
120K	0.7A
100K	0.45A

. For 3V~4.2Vin to 5V 1A out , 230K~250Kohm is suitable.

If the current limit exceeds 2A, maybe the IC will be go in to over temperature protection status without good layout.

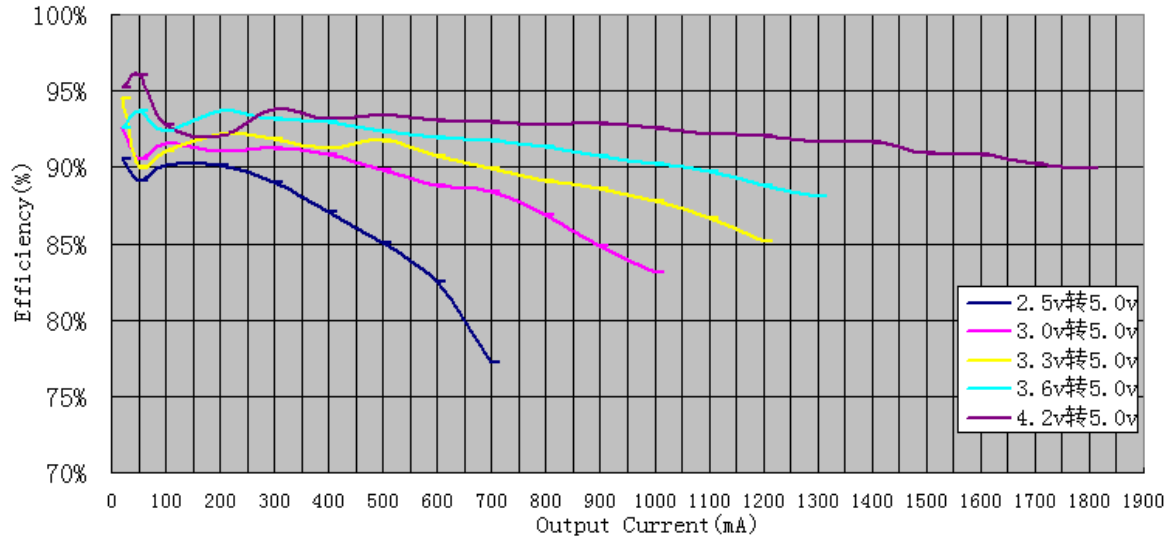
## DIODE SELECTION

According to max Iout and max Vout, you can select suitable diode. Normally we select diode  $I_f=(1.5\sim 2)*I_{outmax}$  and  $V_R=(1.5\sim 2)*V_{outmax}$ . For high efficiency , suggest that you select low Vf Schottky diode. ONsemi's MBRA210LT3 is prefer

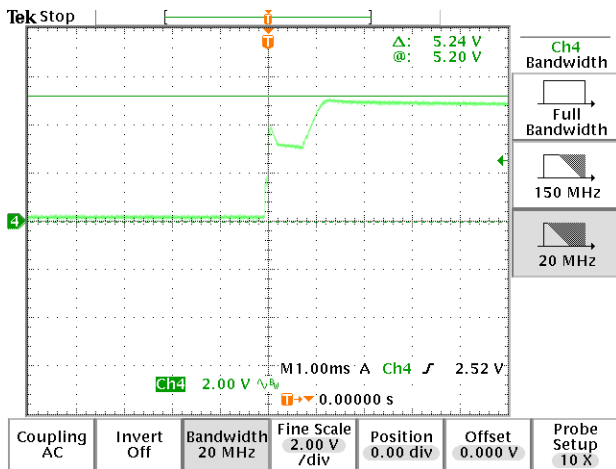


## TYPICAL PERFORMANCE CHARACTERISTICS

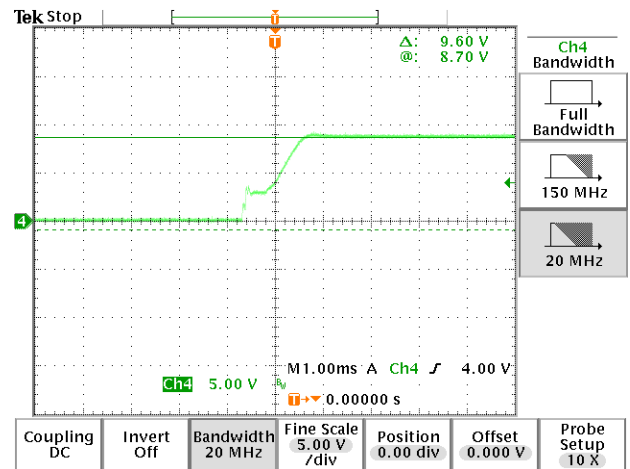
(L=2.2uH 4A. CIN=10uF. COUT=2\*10uF. if not mentioned)



Efficiency vs. Output Current (Vout=5V Rset=300K)



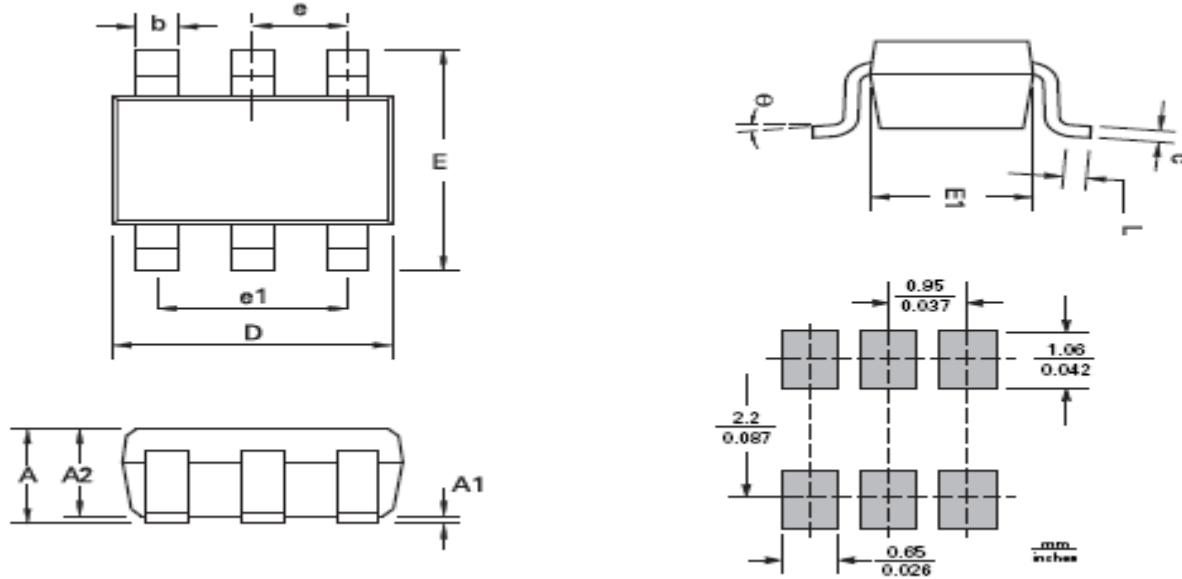
STARTUP (3.3V IN 5V 500MA OUT)



STARTUP (3.3V IN 9V 500MA OUT)

## PACKAGE OUTLINE

### SOT23-6 PACKAGE OUTLINE AND DIMENSIONS



DIM	Millimeters		Inches	
	Min.	Max.	Min.	Max.
A	0.90	1.45	0.0354	0.0570
A1	0.00	0.15	0.00	0.0059
A2	0.90	1.30	0.0354	0.0511
b	0.35	0.50	0.0078	0.0196
C	0.09	0.26	0.0035	0.0102
D	2.70	3.10	0.1062	0.1220
E	2.20	3.20	0.0866	0.1181
E1	1.30	1.80	0.0511	0.0708
L	0.10	0.60	0.0039	0.0236
e	0.95 REF		0.0374 REF	
e1	1.90 REF		0.0748 REF	
L	0°	30°	0°	30°

Note: Controlling dimensions are in millimeters. Approximate dimensions are provided in inches